

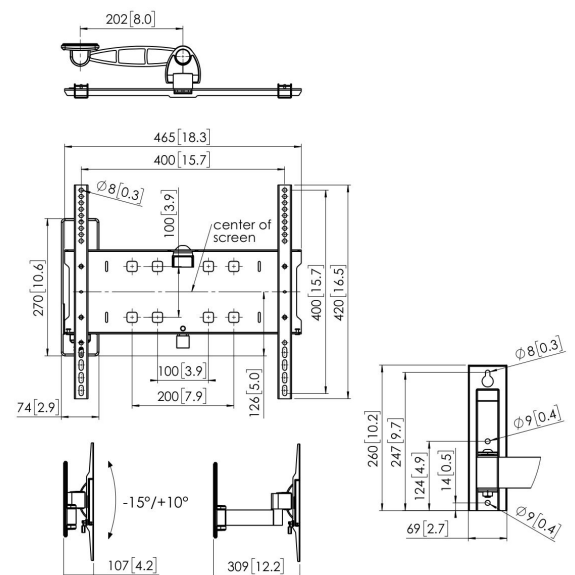


## PFW 3030 Display Wall Mount

### Key Benefits

- Stylish high-end design
- 400 x 400 fitment out of the box
- Continuous smooth tilt
- Post-installation levelling
- Theft-delaying padlock

The safe and elegant PFW 3000 Series is designed with hospitality content in mind.





## PFW 3030 Display Wall Mount



# Specifications

Min. screen size (inch)	39
Max. screen size (inch)	55
Min. hole pattern	100mm x 100mm
Max. hole pattern	400mm x 400mm
Min. horizontal hole pattern (mm)	100
Max. horizontal hole pattern (mm)	400
Min. vertical hole pattern (mm)	100
Max. vertical hole pattern (mm)	400
Universal or fixed hole pattern	Universal
Max. height of interface (mm)	420
Max. width of interface (mm)	465
Max. weight load (kg)	35
Max. weight load (Lbs)	77.16
Turn	Up to 120°
Number of pivot points	2
Tilt	Tilt - 15° / + 10°
Levelling function	Post-installation horizontal levelling
Lock options	Lock included / integrated
Lockable	True
Article number (SKU)	7330300
EAN single box	8712285335167
Colour	Black
Certifications	TÜV
TÜV certified	Yes
Guarantee	5 years

VOGEL'S HOLDING BV (©)

All rights reserved.  
Subject to printing errors,  
technical and price  
amendments.

Date: 2025-05-29



**Vogel's. For Sure.**