

ViewBoard IFP6533-G

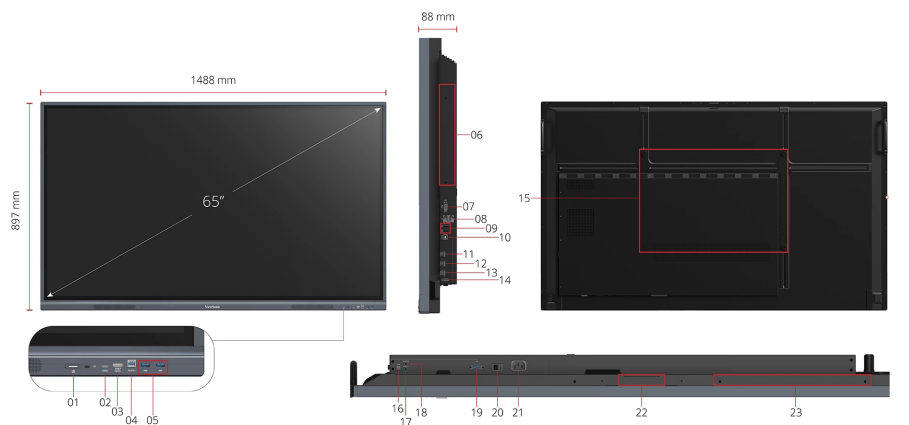
Key Features

- Multi-tasking capabilities for enhanced lesson delivery
- Embrace simplicity and organization with the USB-C one-cable solution, offering 65W of Power Delivery.
- Intuitive user interface and fast app launch for smooth operation
- Powered by Android 11



Product Description

The ViewBoard IFP33 Series harmonizes a touch display with versatile software to create a comprehensive classroom solution for interactive and engaging learning. This interactive flat panel delivers exceptional image quality in 4K UHD, thanks to cutting-edge bonding technology that provides clearer colors, enhanced contrast, and reduced glare. The 40-point touchscreen interface, equipped with Ultra Fine Touch Technology, empowers students and teachers to collaborate seamlessly, using either their fingers or dual-tip pens, for an intuitive pen-on-paper experience. Powerful built-in front-facing speakers and a USB-C port sort out for a complete and convenient multimedia experience. The ViewBoard IFP33 Series is preinstalled with myViewBoard to offer advanced lesson delivery options for teachers and powerful device management tools for administrators.



- | | | | |
|-----------------|--------------|----------------------------------|------------------|
| 1. POWER ON/OFF | 8. LAN | 15. VESA® Wall Mount (600x400mm) | 22. Wi-Fi Slot |
| 2. USB C | 9. USB 2.0x2 | 16. SPDIF | 23. Sensor Mount |
| 3. HDMI 1 | 10. TOUCH 2 | 17. AUDIO in | |
| 4. TOUCH 1 | 11. HDMI 2 | 18. AUDIO out | |
| 5. USB 3.0x2 | 12. HDMI 3 | 19. VGA | |
| 6. OPS Slot | 13. HDMI OUT | 20. Power On/OFF | |
| 7. RS-232 | 14. USB | 21. AC IN | |

DISPLAY

Panel Size:	65"
Panel Type:	TFT LCD Module with DLED Backlight. IPS
Display Area (mm):	1428.48(H) × 803.52(V) (64.5" diagonal)
Aspect Ratio:	16:9
Resolution:	UHD 3840x2160(Pixels)
Colors:	1.07B colors
Brightness:	350 nits
Contrast Ratio:	5000:1 (max. with DCR enabled)
Response Time:	8ms
Viewing Angles:	H=178, V=178
Backlight Life:	50,000 Hours (8 hours of use per day)
Surface Treatment:	Hardness: 7H Anti-glare coating
Orientation:	Landscape

PLATFORM

Processor:	Quad-core ARM Cortex (A55*4)
RAM:	8GB DDR4
Storage:	128 GB

TOUCH

Type/ Tech:	Ultra Fine Touch Technology
Touch Point:	40 points touch

INPUT

HDMI:	HDMI-IN 2.0 x 3 (3840x2160 @60Hz)
RGB / VGA:	x1
Audio:	x1
RS232:	x1
OPS:	x1 (Optional Intel Standard OPS)
WiFi:	x1 (Optional VB-WIFI-002/VB-WIFI-004/VSB-050)

OUTPUT

HDMI:	HDMI 2.0 x1
Audio:	x1
SPDIF:	x1

LAN

RJ45:	x2
-------	----

USB

Type A:	USB3.0:Front x2, Rear x2; USB2.0 x1
Type B:	x2 (Rear x1 + Front x1)
Type C:	Front*1 (PD65W + DP1.2 + Data USB2.0 + 10M/100M sharing)

SPEAKERS

16W x 2

TOP CAMERA PLATE

BUNDLE SOFTWARE

Basic Annotation Software:	myViewBoard Whiteboard
Pro Annotation Software:	myViewBoard for Windows (Embedded in optional Windows Slot-in PC)
Wireless Presentation:	myViewBoard Display
Wireless Presentation with Touch Feedback: Viewboard Cast:	Yes

SPECIAL FEATURES

All-in-one USB port:	(combine slot-in PC/Android/HDMI USB port) Front "SmartPort™ USB" to all channels.
Simple LAN sharing between IFP and slot-in device:	10/100M for Android & Slot-in PC
Light Sensor:	Yes

POWER

Voltage:	100-240V AC
Consumption:	On:99W ; Off: ≤ 0.5W

ERGONOMICS

Wall Mount (VESA®):	600*400
----------------------	---------

OPERATING CONDITIONS

Temperature (° C):	0°C to 40°C
Humidity:	20% ~ 80% RH non-condensing

DIMENSIONS (W X H X D)

Physical (inch / mm):	1488 x 897 x 88 mm / 58.6 x 35.3 x 3.5 in
Packaging (inch / mm):	1628x1005x208 mm / 64.1x 39.6x 8.2in

WEIGHT

Net (lb / kg):	77.1lb/34.95kg
Gross (lb / kg):	98.5 lb/44.7kg

REGULATIONS

FCC/ICES003, EPEAT, CE EMC, LVD or CB, RoHS Green BOM, & RoHS DoC, ErP, REACH SVHC List, & DoC, EEL, WEEE, BSMI,BIS

PACKAGE CONTENTS

1. 3m power cord by ship area 2. Remote control with AAA battery 3. 3m touch USB cable 4. Touch pen x 2 (VB-PEN-009) 5. Quick Start Guide + Compliance statement 6. RS232 adapter 7. Clamp x 5 8. Camera Plate 9. Screw x 8 (camera 2+2, wall mount 4) 10. HDMI cable 3m

COMPATIBLE SLOT-IN PC

VPC2-O series/VPC2-O-1B series/VPC12-WPO-15/16
--

Yes

EMBEDDED OS

Android 11