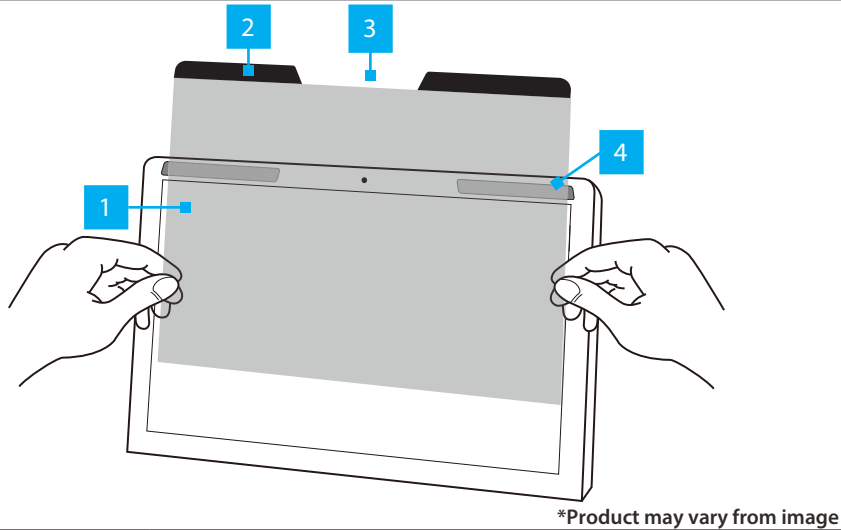


## Installation Instructions for StarTech.com Magnetic Privacy Filters



Component	Function
1 Privacy Filter	<ul style="list-style-type: none"> <li>Privacy effect when viewing the <b>Screen</b> at angles greater than <b>30°</b> off-center from the <b>Left</b> or <b>Right</b></li> <li>The total <b>Field of View</b> is <b>60°</b></li> </ul>
2 Magnetic Tabs	<ul style="list-style-type: none"> <li>Secure the <b>Privacy Filter</b> to the <b>Display Bezel</b></li> </ul>
3 Camera Notch	<ul style="list-style-type: none"> <li>Ensures the built-in camera is not obstructed</li> </ul>
4 Metal Strips	<ul style="list-style-type: none"> <li>For <b>Displays</b> with a <b>Non-Magnetic Top Bezel</b></li> </ul> <p><b>Note:</b> Not included with all Magnetic Privacy Filters</p>

### Requirements

For the latest manuals, product information, technical specifications, and declarations of conformance, please visit: [www.startech.com/support](http://www.startech.com/support)

### Install the Privacy Filter

#### Method 1: Direct Bezel Mounting

1. Clean the **Screen** and **Top Bezel** using the **Wiping Cloth**.
2. Remove all **Protective Films** from the **Privacy Filter**.
3. Attach the **Privacy Filter** by aligning the **Magnetic Tabs** against the **Top Bezel**. Make any required adjustments to ensure that the **Privacy Filter** is covering the entire screen. (Figure 1)

**Note:** If the Privacy Screen is reversible, choose the side that best fits the application.

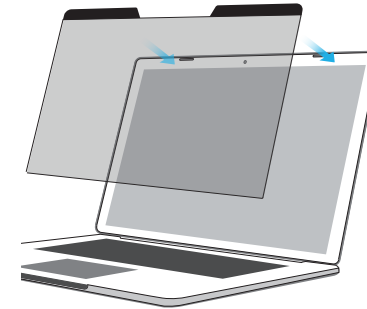


Figure 1

4. Use the **Wiping Cloth** to clean any fingerprints or dust on the **Privacy Filter**.

#### Method 2: Metal Strips

1. Clean the **Screen** and **Top Bezel** using the **Wiping Cloth**.
2. Remove all **Protective Films** from the **Privacy Filter**.
3. Remove all **Metal Strips** from the **Transparent Lining**. (Figure 2)

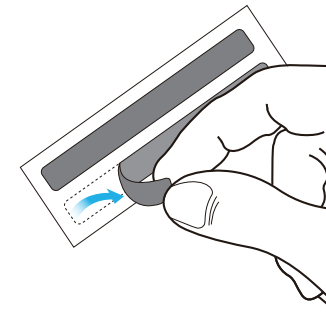


Figure 2

4. Position the **Metal Strips** on the **Top Bezel**, aligning them to the **Right** and **Left** sides. (Figure 3)

**Note:** Ensure there is at least a 0.47in (12mm) gap on the Bezel for the Metal Strips.

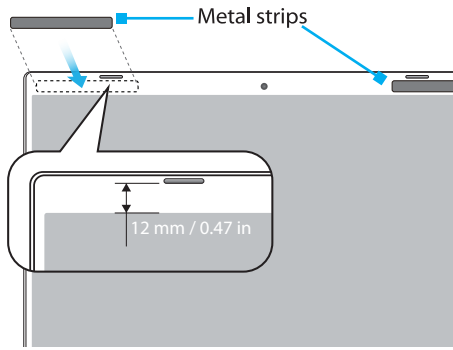


Figure 3

4. Apply **Gentle Pressure** to the **Metal Strips**. (Figure 4)

**Note:** Once the Metal Strips have been applied to the Top Bezel, do not remove them to prevent weakening the adhesive backing.

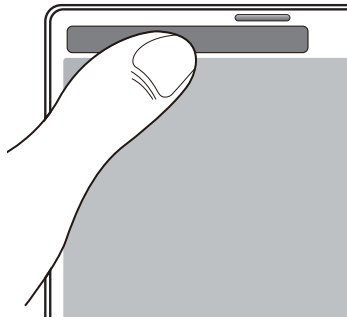


Figure 4

5. Attach the **Privacy Filter** by aligning the **Magnetic Tabs** against the **Metal Strips**. Make any required adjustments to ensure that the **Privacy Filter** is covering the entire screen. (Figure 5)

**Note:** If the Privacy Screen is reversible, choose the side that best fits the application.

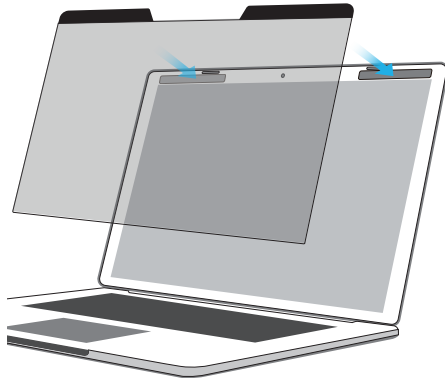
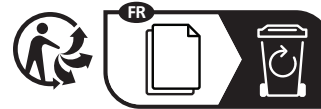


Figure 5

6. Use the **Wiping Cloth** to clean any fingerprints or dust on the **Privacy Filter**.



### Regulatory Compliance

#### Use of Trademarks, Registered Trademarks, and other Protected Names and Symbols

This manual may make reference to trademarks, registered trademarks, and other protected names and/or symbols of third-party companies not related in any way to StarTech.com. Where they occur these references are for illustrative purposes only and do not represent an endorsement of a product or service by StarTech.com, or an endorsement of the product(s) to which this manual applies by the third-party company in question. StarTech.com hereby acknowledges that all trademarks, registered trademarks, service marks, and other protected names and/or symbols contained in this manual and related documents are the property of their respective holders.

#### Warranty Information

This product is backed by a two-year warranty.

For further information on product warranty terms and conditions, please refer to [www.startech.com/warranty](http://www.startech.com/warranty).

#### Limitation of Liability

In no event shall the liability of StarTech.com Ltd. and StarTech.com USA LLP (or their officers, directors, employees or agents) for any damages (whether direct or indirect, special, punitive, incidental, consequential, or otherwise), loss of profits, loss of

**StarTech.com Ltd.**  
45 Artisans Crescent  
London, Ontario  
N5V 5E9  
Canada

**StarTech.com LLP**  
4490 South Hamilton  
Road  
Groveport, Ohio  
43125  
U.S.A.

**StarTech.com Ltd.**  
Unit B, Pinnacle 15  
Gowerton Road  
Brackmills,  
Northampton  
NN4 7BW  
United Kingdom

**StarTech.com Ltd.**  
Siriusdreef 17-27  
2132 WT Hoofddorp  
The Netherlands

FR: [startech.com/fr](http://startech.com/fr)  
DE: [startech.com/de](http://startech.com/de)  
ES: [startech.com/es](http://startech.com/es)  
NL: [startech.com/nl](http://startech.com/nl)  
IT: [startech.com/it](http://startech.com/it)  
JP: [startech.com/jp](http://startech.com/jp)