

ScanPal™ EDA61K Computer – Configuration Guide

- Included in the box:
- EDA61K Mobile Computer
 - Battery (50149348-001)
 - USB Type C Cable
 - USB Power Adapter

(Hand strap is NOT included, but available to order separately as an accessory)



Alphanumeric (46-Key)



Numeric (34-Key)



Scan Engine



USB Type C Connector

EDA61K – Alphanumeric - N6703 - WWAN – Software Client Pack (SCP) Pre-Licensed

EDA61K-1AC934PExK EDA61K, Alpha-numeric Keypad, WWAN, 3GB/32GB Memory, N6703 scan engine, 4" LCD WVGA, 13MP Camera, Android GMS, Extended battery 7,000mAh, warm swap, SCP Pre-licensed plus 1 year SCP maintenance

EDA61K – Numeric - N6703 - WWAN – Software Client Pack (SCP) Pre-Licensed

EDA61K-1NC934PExK EDA61K, Numeric Keypad, WWAN, 3GB/32GB Memory, N6703 scan engine, 4" LCD WVGA, 13MP Camera, Android GMS, Extended battery 7,000mAh, warm swap, SCP Pre-licensed plus 1 year SCP maintenance

EDA61K – Alphanumeric - N6703 - WiFi Only – Software Client Pack (SCP) Pre-Licensed

EDA61K-0AC934PExK EDA61K, Alpha-numeric Keypad, WLAN, 3GB/32GB Memory, N6703 scan engine, 4" LCD WVGA, 13MP Camera, Android GMS, Extended battery 7,000mAh, warm swap, SCP Pre-licensed plus 1 year SCP maintenance

EDA61K – Numeric - N6703 - WiFi Only – Software Client Pack (SCP) Pre-Licensed

EDA61K-0NC934PExK EDA61K, Numeric Keypad, WLAN, 3GB/32GB Memory, N6703 scan engine, 4" LCD WVGA, 13MP Camera, Android GMS, Extended battery 7,000mAh, warm swap, SCP Pre-licensed plus 1 year SCP maintenance

(Note: x = Domain, select appropriate Domain from Configuration Map on page 3)

Honeywell Repair Services

SVCEDA61K-SG3N EDA61K, Edge Service, Gold Service Contract, 3 Year, New

ScanPal EDA61K Computer - Configuration Guide

- Included in the box:
- EDA61K Mobile Computer
 - Battery (50149348-001)
 - USB Type C Cable
 - USB Power Adapter

(Hand strap is NOT included, but available to order separately as an accessory)



Alphanumeric (46-Key)



Numeric (34-Key)



Scan Engine



USB Type C Connector

EDA61K – Alphanumeric – EX20 – WWAN – Software Client Pack (SCP) Pre-Licensed

EDA61K-1AUB34PExK

EDA61K, Alpha-numeric Keypad, WWAN, 3GB/32GB Memory, EX20 scan engine, 4" LCD WVGA, No Camera, Android GMS, Extended battery 7,000mAh, warm swap, SCP Pre-licensed plus 1 year SCP maintenance

EDA61K – Numeric – EX20 – WWAN – Software Client Pack (SCP) Pre-Licensed

EDA61K-1NUB34PGxK

EDA61K, Numeric Keypad, WWAN, 3GB/32GB Memory, EX20 scan engine, 4" LCD WVGA, No Camera, Android GMS, Extended battery 7,000mAh, warm swap, SCP Pre-licensed plus 1 year SCP maintenance

EDA61K – Alphanumeric – EX20 – WiFi Only – Software Client Pack (SCP) Pre-Licensed

EDA61K-0AUB34PExK

EDA61K, Alpha-numeric Keypad, WLAN, 3GB/32GB Memory, EX20 scan engine, 4" LCD WVGA, No Camera, Android GMS, Extended battery 7,000mAh, warm swap, SCP Pre-licensed plus 1 year SCP maintenance

EDA61K – Numeric – EX20 – WiFi Only – Software Client Pack (SCP) Pre-Licensed

EDA61K-0NUB34PExK

EDA61K, Numeric Keypad, WLAN, 3GB/32GB Memory, EX20 scan engine, 4" LCD WVGA, No Camera, Android GMS, Extended battery 7,000mAh, warm swap, SCP Pre-licensed plus 1 year SCP maintenance



(Note: x = Domain, select appropriate Domain from Configuration Map on page 3)

Honeywell Repair Services

SVCEDA61K-SG3N

EDA61K, Edge Service, Gold Service Contract, 3 Year, New

ScanPal EDA61K Configuration Map

Radio	Keyboard	Camera	Scan Engine	Memory	Color / Battery	Operating System	GMS	Domain	Options	Description	Notes
EDA61K-											
0										802.11 a/b/g/n/ac + Bluetooth 4.2	WLAN: IEEE 802.11 a/b/g/n/ac Bluetooth Class 4.2
1										LTE (4G) GPS, UMTS/HSPA+ (3G) GSM/GPRS/EDGE	
	A									Alphanumeric (46-Key)	
	N									Numeric (34-Key)	
		U								No Camera	
		C								13MP Camera	
			9							1D/2D Imager (N6703 SR) – Standard Range	
			B							EX20 Near/ Far 2D Area Imager	
				3						3GB RAM/32GB Flash Memory	Qualcomm SDM450 1.8 GHz octa-core
					4					Grey Color, Extended Battery 7,000mAh	
						P				Android 9 Pie	
							E			GMS Software Client Pack Pre-Licensed	Google Mobile Services (GMS) Software Client Pack (SCP) Pre-Licensed for SmartTE, Enterprise Browser, and Launcher, Includes 1 Year Software Maintenance
							D			Data Only	WWAN Option - Turkey
							G			GMS Device Client Pack (DCP) with 1- year term license	Google Mobile Services (GMS), Device Client Pack with 1-year term license, termed license/full license can be purchased later: DCP-SFT1, DCP-SFT3, DCP-001, SMARTTE-001
							N			Non-GMS Software Client Pack Pre-Loaded	
							A			Australia, New Zealand, Brazil, Mexico	
							C			China	
							E			Egypt, Bahrain, Malaysia, Tunisia and India	
							I			Indonesia	
							O			EU	
							R			Rest Of World	
							U			North America	
								K		Kit	Includes Power Adapter and USB Cable



Honeywell Repair Services

EDA61K – Repair Services

At a slight additional cost, Honeywell Edge Services give you the confidence of having leading-class technologies combined with service and support plans that are designed to keep you operational for longer.

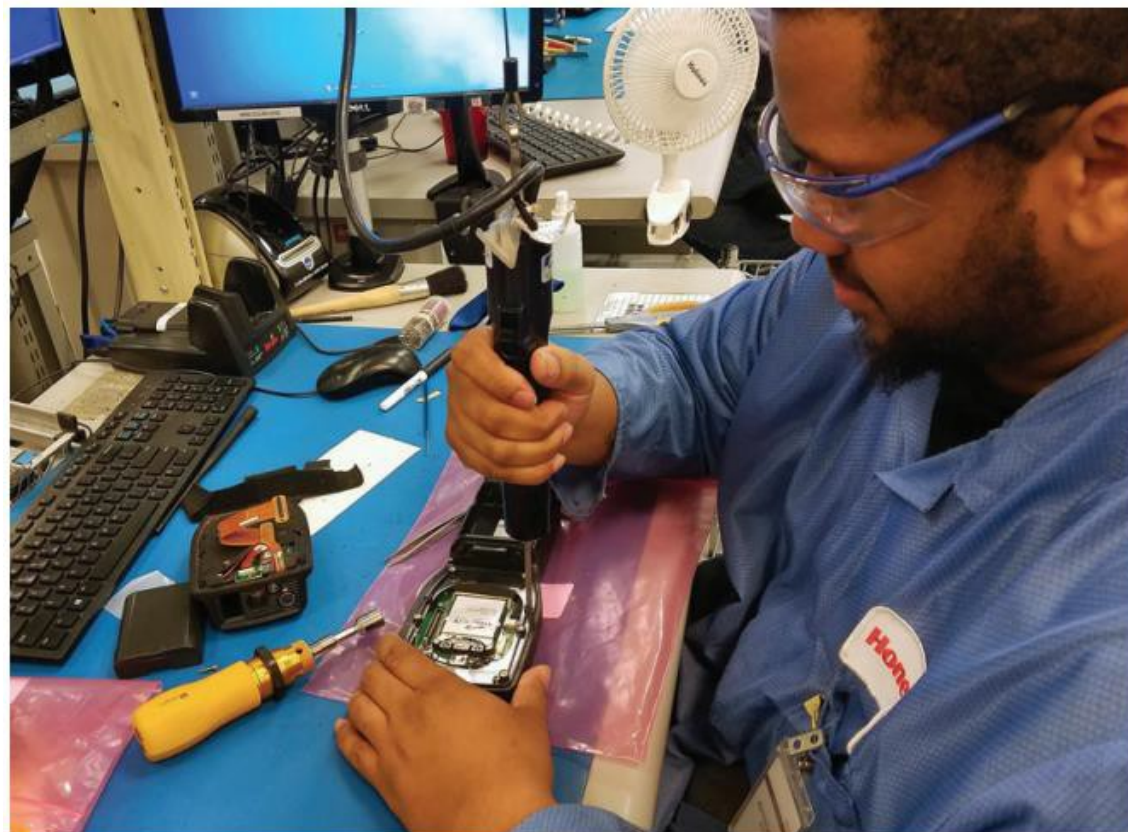
Gold Repair Services – 3 Year

One of the more flexible contracts in the industry. The Edge Services Gold Support contract allows you to select the right coverage for your organization, and includes 5-Day Depot Repairs and:

Service Overview

- Repair or replacement of damaged components, wear and tear, and accidental damage.
- Flexibility to add any Add-On Service Day One multi-year pricing for lower annualized costs.

Part Number	Description
SVCEDA61K-SG3N	EDA61K, Edge Service, Gold Service Contract, <u>3 Year</u> , New



Gold Add-On Services – 3 Year

Add-On Accessory Replacement Service

Provides replacement chargers, docks, charging cables, or scan handles should they be damaged or stop working.

ADD SVCACC-MOB3	AddOn, Edge Service, Accessory Service , Mobility, 3 Year. Service covers docks, charger cradles, scan handles and car adapter
-----------------	---

Add-On Battery Replacement Service

Provides replacement batteries every 18 months after purchase.

ADD SVCBATTERY-MOB3	AddOn, Edge Service, Battery Service, Mobility, 3 Year, 1 Replacement Battery over life of contract
---------------------	--

Add-On Device Replacement Service

Replacement devices should a device be damaged beyond repair.

ADD SVCREPLACE-MOB3	AddOn, Edge Service, Device Replacement, Mobility, 3 Year
---------------------	---

Add-On Image Management Service

Ensures that when a device returns from being repaired, it has all the proper applications loaded back on the device.

ADD SVCIMAGEMGMT-MOB3	AddOn, Edge Service, Image Service, Mobility, 3 Year.
-----------------------	---

Add-On Image Management Service

Manages every aspect of your spare pool.

ADD SVCSPAREMGMT-MOB3	AddOn, Edge Service, Advanced Exchange, Mobility, 3 Year. Customer owned spare pool, Minimum Purchase required contact your local Honeywell Service Representative for more information.
-----------------------	---

Honeywell Repair Services

EDA61K – Repair Services

At a slight additional cost, Honeywell Edge Services give you the confidence of having leading-class technologies combined with service and support plans that are designed to keep you operational for longer.

Gold Repair Services – 5 Year

One of the more flexible contracts in the industry. The Edge Services Gold Support contract allows you to select the right coverage for your organization, and includes 5-Day Depot Repairs and:

Service Overview

- Repair or replacement of damaged components, wear and tear, and accidental damage.
- Flexibility to add any Add-On Service Day One multi-year pricing for lower annualized costs.

Part Number	Description
SVCEDA61K-SG5N	EDA61K, Edge Service, Gold Service Contract, <u>5 Year</u> , New



Gold Add-On Services – 5 Year

Add-On Accessory Replacement Service

Provides replacement chargers, docks, charging cables, or scan handles should they be damaged or stop working.

ADD SVCACC-MOB5	AddOn, Edge Service, Accessory Service , Mobility, 5 Year. Service covers docks, charger cradles, scan handles and car adapter
-----------------	---

Add-On Battery Replacement Service

Provides replacement batteries every 18 months after purchase.

ADD SVCBATTERY-MOB5	AddOn, Edge Service, Battery Service, Mobility, 5 Year, 2 Replacement Battery over life of contract
---------------------	--

Add-On Device Replacement Service

Replacement devices should a device be damaged beyond repair.

ADD SVCREPLACE-MOB5	AddOn, Edge Service, Device Replacement, Mobility, 5 Year
---------------------	---

Add-On Image Management Service

Ensures that when a device returns from being repaired, it has all the proper applications loaded back on the device.

ADD SVCIMAGEMGMT-MOB5	AddOn, Edge Service, Image Service, Mobility, 5 Year.
-----------------------	---

Add-On Image Management Service

Manages every aspect of your spare pool.

ADD SVCSPAREMGMT-MOB5	AddOn, Edge Service, Advanced Exchange, Mobility, 5 Year. Customer owned spare pool, Minimum Purchase required contact your local Honeywell Service Representative for more information.
-----------------------	---

Honeywell Repair Services

EDA61K – Repair Services

For Best-In-Class Service

EDA61K



Warranty Cover Against Product Defect

BASIC Service

Comprehensive Coverage:

- Accidental Damage
- Wear & Tear

Includes Replacement of:

- Hand Strap



Flexible GOLD Add-Ons ordered separately

- SVCACC-MOB3 Accessories
- SVCBATTERY-MOB3 Batteries
- SVCREPLACE-MOB3 Device Replacement
- SVCIMAGEMGMT-MOB3 Image Service
- SVCSPAREMGMT-MOB3 AdvancedExchange

GOLD Service

Part Number	Description
SVCEDA61K-EXW2	EDA61K, BASIC, 10-15 Day Turnaround, 2 Years (1 Year Factory Warranty + 1 Year Extended)
SVCEDA61K-EXW3	EDA61K, BASIC, 10-15 Day Turnaround, 3 Years (1 Year Factory Warranty + 2 Year Extended)
SVCEDA61K-SG3N	EDA61K, Edge Service, Gold Service Contract, 3 Year, New

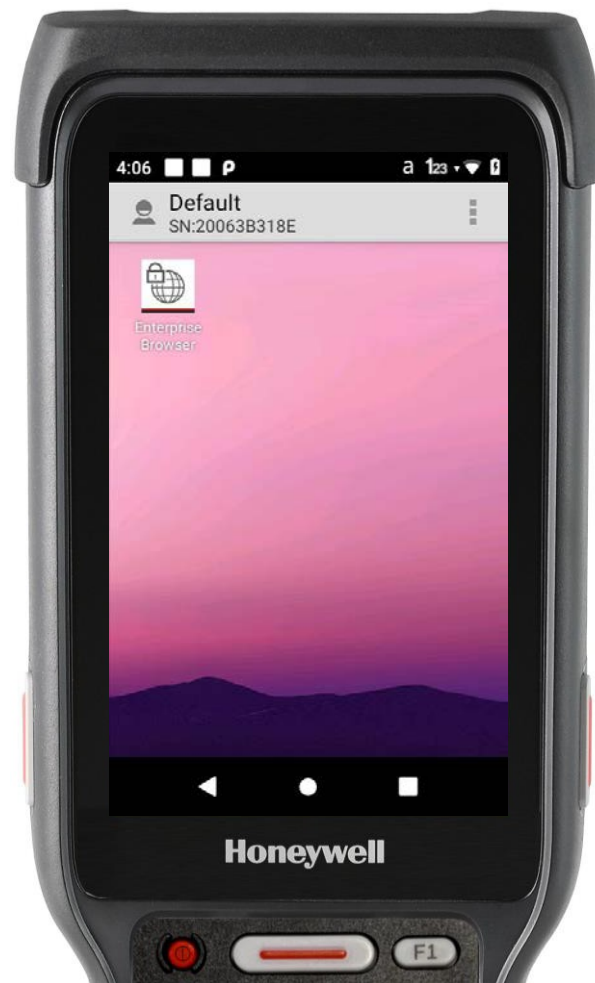
ScanPal EDA61K Software

EDA61K – Software Client Pack

Active software maintenance licenses are required to receive new version features and tech support. 1-year of maintenance is included with models pre-licensed with SCP. Purchase additional SCP maintenance licenses before current licenses expire.



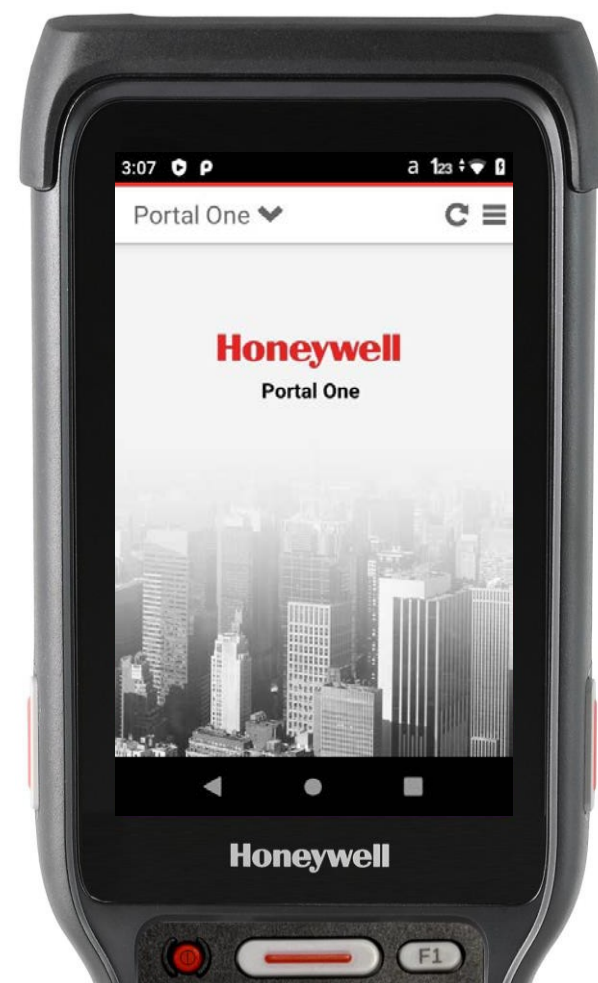
Launcher



Launcher - gives the customer total control over which apps can be run on the device.



Enterprise Browser



Enterprise Browser provides corporations the ability to run standard web applications from a controlled environment.



BasicTE



BasicTE Android device Terminal Emulation is a simplified alternative for those not yet ready to upgrade to SmartTE.



SmartTE Terminal Emulator



Terminal Emulator – Full featured SmartTE allows legacy green screen apps to be transformed to the look and feel of native apps.

Part Number	Description
SCP-SFT1	Software Client Pack - 1 Year Maintenance (Launcher, Enterprise Browser, BasicTE & SmartTE)
SCP-SFT3	Software Client Pack - 3 Year Maintenance (Launcher, Enterprise Browser, BasicTE & SmartTE)

ScanPal EDA61K Software

EDA61K – Device Client Pack

Devices pre-licensed with a DCP 1-year Term + maintenance license, receive 1-year of software operation, plus entitlement to new version features and tech support. To continue operation and maintenance, additional license purchase is required.



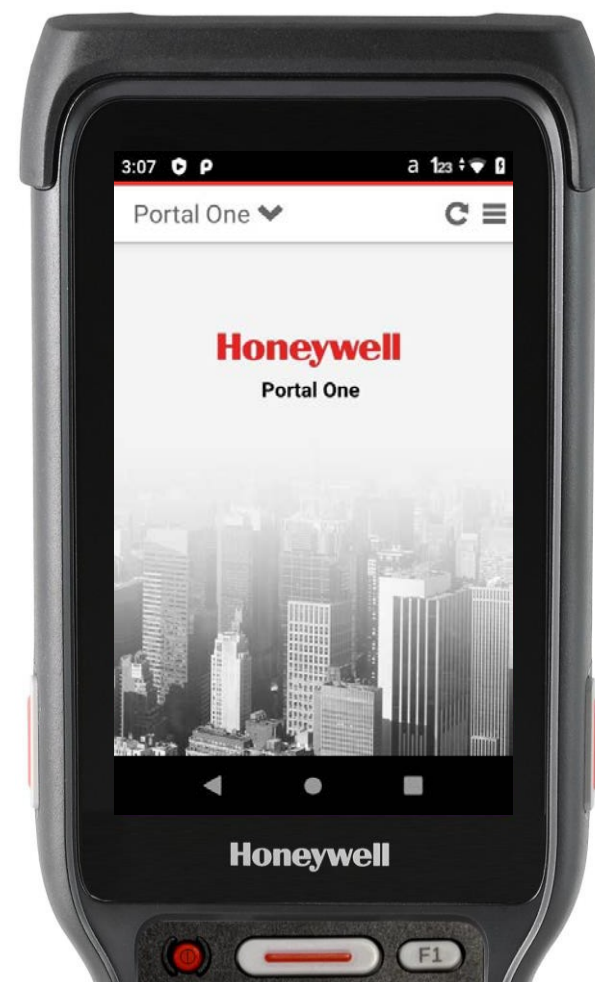
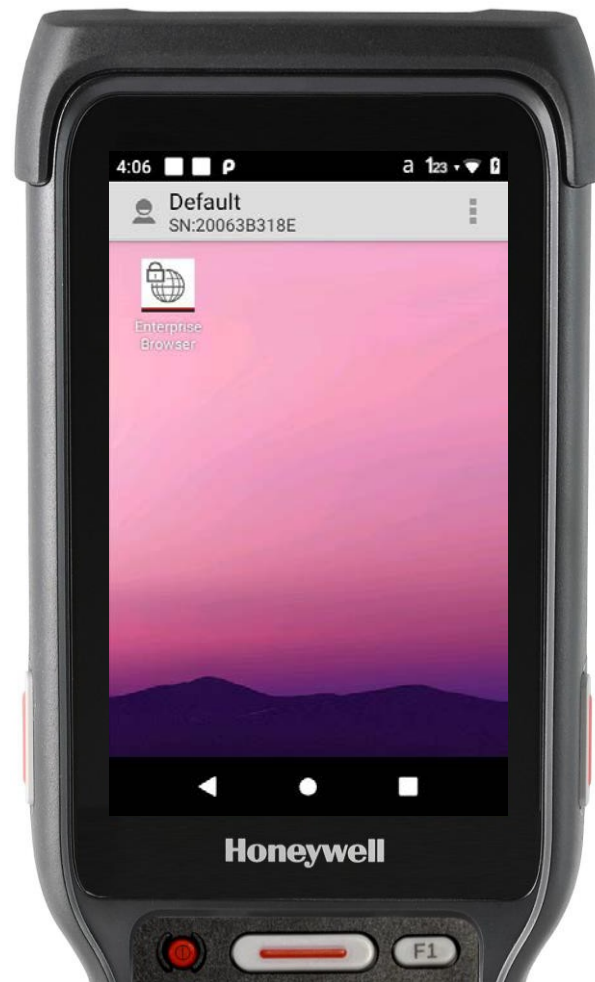
Launcher



Enterprise Browser



BasicTE



Launcher - gives the customer total control over which apps can be run on the device.

Enterprise Browser provides corporations the ability to run standard web applications from a controlled environment.

BasicTE Android device Terminal Emulation is a simplified alternative for those not yet ready to upgrade to SmartTE.

Part Number	Description
DCP-001	Device Client Pack Perpetual License (DCP) and 1Year SW Maintenance. DCP includes Launcher, Browser, and BasicTE. Purchase DCP-SFTx prior to maintenance expiring.
DCP-SFT1	Device Client Pack - 1 Year Term and Maintenance (Launcher, Enterprise Browser, BasicTE).
DCP-SFT3	Device Client Pack - 3 Year Term and Maintenance (Launcher, Enterprise Browser, BasicTE).

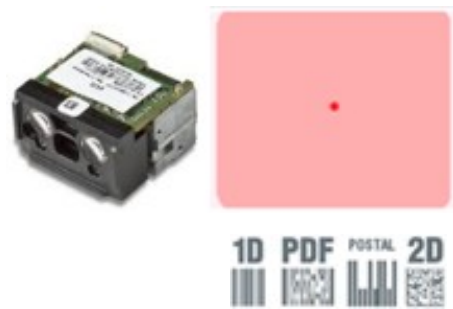
ScanPal™ EDA61K Scanning

Option 1 – EX20 Near/ Far

EX20 Engine is mounted for straight aiming to assist with long range scanning.



EX20 Near/ Far



* EX20 NOT compatible with Camera Option



Option 2 – N6703 Standard Range

N6703 Engine is mounted on a 15° angle for short range scanning which helps the user read the display while scanning at short distance.



N6703 Standard Range (SR)



EDA61K-xxUBxxxxxx

No Camera, EX20 – Straight Aiming

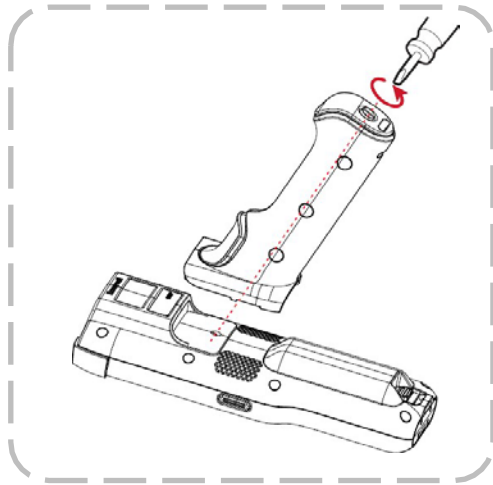
EDA61K-xxC9xxxxxx

13MP Camera, N6703 - 15° Angle

ScanPal™ EDA61K Scanning

Option 1 – Scan Handle

Use for Scan intensive applications



	Part Number	Description
Optional	1 EDA61K-SH-DC	Scan Handle kit for EDA61K. (Field-attachable scan handle). Compatible with Home Base.
	2 EDA61K-SHS-3PK	EDA61K Scan Handle Strap (Pack of 3)

ScanPal™ EDA61K Desktop Charging

Option 1 – Portable

USB Communication AND USB Charging



Part Number	Description
1	CBL-500-120-S00-05 Charging and USB communication cable for ScanPal EDA61K USB type A to type C, 1.2 m (3.9 ft), included with each terminal.
2	50136024-001 Kit includes 5V/2A power adaptor and power plugs for US, EU, UK, ANZ, and India, included with each terminal.

Option 2 – Fixed (Charge Only)

EDA61K Terminal Charger & Single Battery Charger (No Communication ports)



Part Number	Description
1	EDA61K-HB-0 KIT,Home Base,EDA61K, Includes Power Supply, must order Power Cord separately
2	50149348-001 Spare Battery pack for ScanPal EDA61K: Li-ion, 3.6 V, 7,000mAh
3	** AC Power Cord – See Page 14 for Country Specific Power Cords

ScanPal™ EDA61K Charging

Option 1 – EDA61K Battery Charger

Charge up to 4 batteries simultaneously

- Supports Batteries:
- 318-033-011 - Battery, Standard CK3 (2000mAh)
 - 318-034-023 - Battery, Extended CK3 (5100mAh)
 - 50135498-001 - Battery, Extended EDA60K (5100mAh)
 - 50149348-001 - Battery Extended EDA61K (7000mAh)



Part Number	Description
1	871-230-101 Quad Battery Charger for CK3 (AC20) and ScanPal EDA60K
2	851-061-502 Universal Adapter w/Bead,12V 3.5x1.4mm, Level V
3	** AC Power Cord – See Page 14 for Country Specific Power Cords
4	50149348-001 Spare Battery pack for ScanPal EDA61K: Li-ion, 3.6 V, 7,000mAh

Honeywell Repair Services

SVCACC-MOB3 AddOn, Edge Service, Accessory Service , Mobility, 3 Year.

Option 2 – DX2 FlexDock 2-Bay

Supports Batteries: 318-033-011 - Battery, Standard CK3 (2000mAh)

- 318-034-023 - Battery, Extended CK3 (5100mAh)
- 318-046-031 - Smart Battery Pack, CK3R/CK3X/CK7x (5200mAh)
- 318-046-032 - Smart Battery Pack,CK75 Cold Storage (5200mAh)
- 50135498-001 - Battery, Extended EDA60K (5100mAh)
- 50149348-001 - Battery Extended EDA61K (7000mAh)



Part Number	Description
1	DX2A2BB20 4-position Battery Charger, CK3/CK7x, No Power Cord (Power Supply Included)
2	** AC Power Cord – See Page 14 for Country Specific Power Cords
Spare 50149348-001	Spare Battery pack for ScanPal EDA61K: Li-ion, 3.6 V, 7,000mAh

Honeywell Repair Services

SVCACC-MOB3 AddOn, Edge Service, Accessory Service , Mobility, 3 Year.

ScanPal™ EDA61K Charging

Option 3 – DX4 FlexDock 4-Bay

- Supports Batteries:
- 318-033-011 - Battery, Standard CK3 (2000mAh)
 - 318-034-023 - Battery, Extended CK3 (5100mAh)
 - 318-46-31 - Smart Battery Pack, CK3R/CK3X/CK7x (5200mAh)
 - 318-046-032 - Smart Battery Pack,CK75 Cold Storage (5200mAh)
 - 50135498-001 - Battery, Extended EDA60K (5100mAh)
 - 50149348-001 - Battery Extended EDA61K (7000mAh)



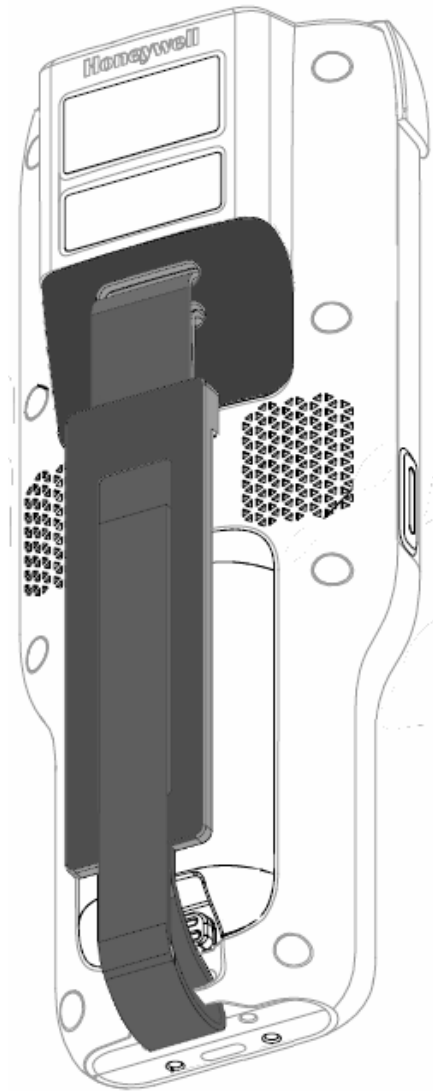
	Part Number	Description
1	DX4A2BBBB00	8-position Battery Charger, CK3/CK7x, No Power Cord (Power Supply Included)
2	**	AC Power Cord – See Page 14 for Country Specific Power Cords
Spare	50149348-001	Spare Battery pack for ScanPal EDA61K: Li-ion, 3.6 V, 7,000mAh

Honeywell Repair Services

SVCACC-MOB3 AddOn, Edge Service, Accessory Service , Mobility, 3 Year.

Miscellaneous

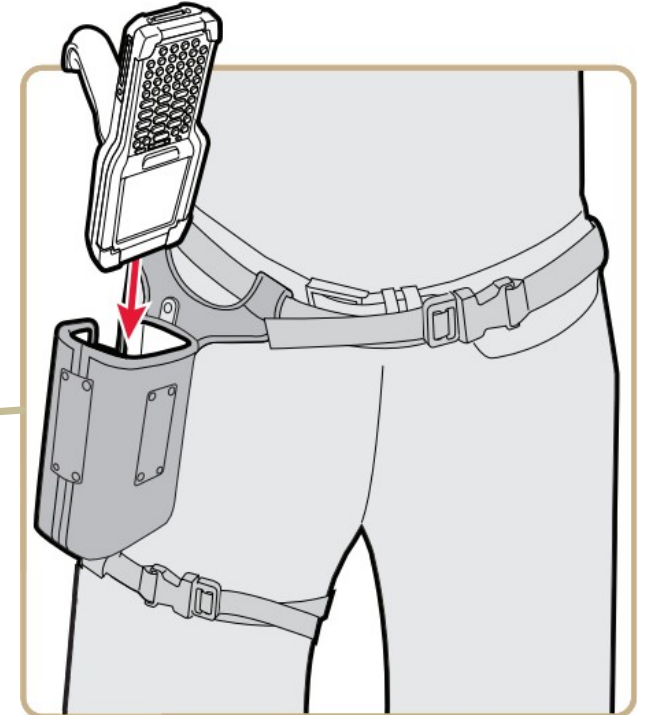
EDA61K Accessories



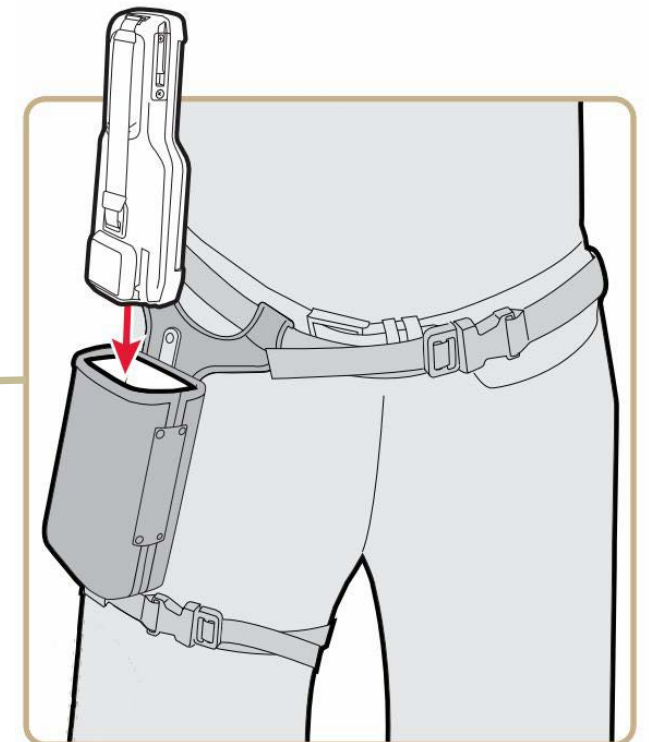
Part Number	Description
EDA61K-HS-3PK	Handstrap Pack of 3



Part Number	Description
815-088-001	Holster, CK3R/CK3X/CK65 with Scan Handle (Holsterw/ Belt, supports CK3R/CK3X/CK65 with scan handle)



Part Number	Description
815-087-001	Holster, CK3R/CK3X/CK65 without Scan Handle



Miscellaneous

Honeywell Recommended – ATP Industrial Grade Micro SD Cards



Part Number	Description
1 856-065-004	MICRO-SD CARD, <u>1GB</u> , AF1GUDI, ROHS
OR 856-065-005	MICRO-SD CARD, <u>2GB</u> , AF2GUDI, ROHS
OR 856-065-006	MICRO-SD CARD, <u>4GB</u> , AF4GUDI, ROHS
OR 856-065-007	MICRO-SD CARD, <u>8GB</u> , AF8GUDI, RoHS

For more information on ATP Industrial Grade SD Cards, visit <https://www.atpinc.com/en>

AC Cords



Part Number	Description
50117503-001	Power cord, Argentina, Isled CB
50117501-001	Power cord, Australia, 2.5 m (8.2 ft), Isled CB
50117502-001	Power cord, Brazil, 2.5 m (8.2 ft), D60S-HB
19-19807	Cable, China cord set (CCC), 2.5 m (8.2 ft)
9000091CABLE	AC Power Cord, Denmark
77900508E	Power cord, Europe, IEC320-C13, 2.5 m (8.2 ft)
50127245-001	Power cord, 1.5 m (4.9 ft), India
9000092CABLE	AC Power Cord, Italy
321-500-002	AC Power Cord, Japan
9000093CABLE	AC Power Cord, Switzerland
77900507E	Power cord, UK, IEC320-C13, 2.5 m (8.2 ft)
77900506E	Power cord, US, IEC320-C13, 1.85 m (6.07 ft)

Disclaimer

Honeywell International Inc. (“HII”) reserves the right to make changes in specification and other information contained in this document without prior notice, and the reader should in all cases consult HII to determine whether any such changes have been made. The information in this publication does not represent a commitment on the part of HII.

HII shall not be liable for technical or editorial errors or omissions contained herein; nor for incidental or consequential damages resulting the furnishing, performance, or use of this material.

This document contains proprietary information that is protected by copyright. All rights are reserved. No part of this document may be photocopied, reproduced, or translated into another language without prior written consent of HII. HII is not responsible for the operation of or information contained at any third party websites referenced herein.

Web Address: www.honeywellaidc.com

Android, Google, Bluetooth, and Qualcomm are trademarks or registered trademarks of their respective owners.