

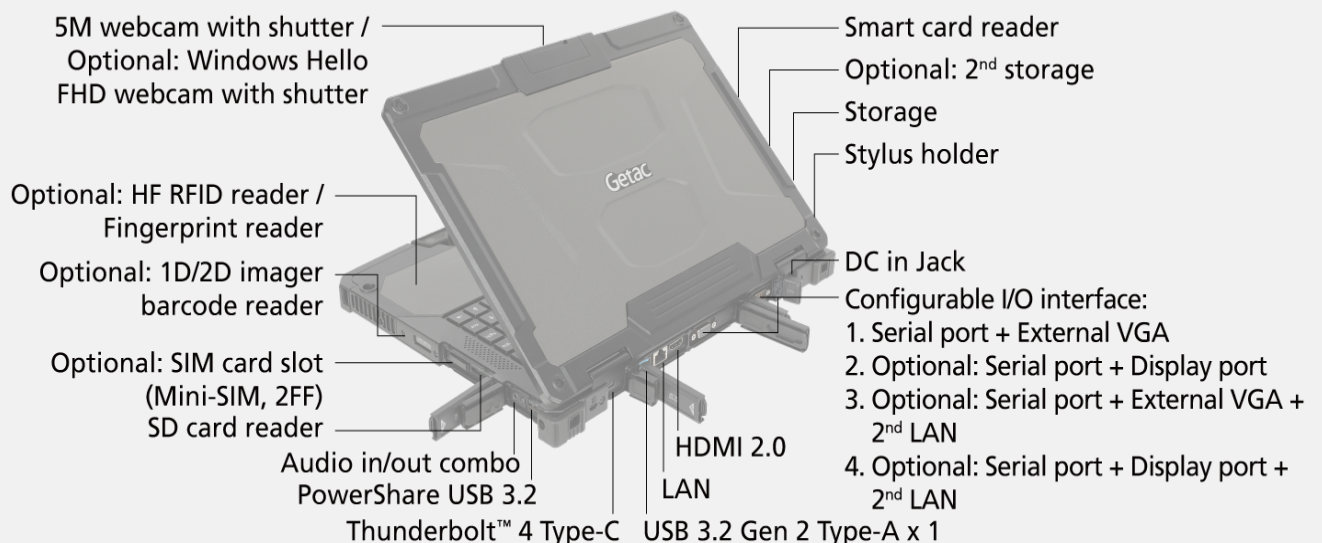


B360 FULLY RUGGED LAPTOP

- MIL-STD 810H, 6ft operating drop rating, IP66 certified, and optional salt fog resistant
- 12th Generation Intel® Core™ Processor
- 13.3" FHD LumiBond® display with Getac sunlight readable technology (1,400 nits) and capacitive touchscreen
- Enhanced enterprise security with optional dual user replaceable storage, Windows Hello face-authentication camera, integrated 1D/2D imager barcode reader and multi-factor authentication options
- LifeSupport™ battery swappable technology
- Thunderbolt™ 4 brings lightning speed and performance



B360 3D demo



SPECIFICATIONS

Generation

G2

Operating System

Windows 11 Pro

Mobile Computing Platform

Intel® Core™ i5-1240P Processor
Max. 4.4GHz with Intel® Turbo Boost Technology
- 12MB Intel® Smart Cache

Platform options:

Intel® Core™ i5-1250P vPro® Processor
Max. 4.4GHz with Intel® Turbo Boost Technology
- 12MB Intel® Smart Cache

Intel® Core™ i7-1260P Processor
Max. 4.7GHz with Intel® Turbo Boost Technology
- 18MB Intel® Smart Cache

Intel® Core™ i7-1270P vPro® Processor
Max. 4.8GHz with Intel® Turbo Boost Technology
- 18MB Intel® Smart Cache

Intel® Core™ i7-1280P vPro® Processor
Max. 4.8GHz with Intel® Turbo Boost Technology
- 24MB Intel® Smart Cache

VGA Controller

Intel® Iris® Xe Graphicsⁱ

Display

13.3" Wide Viewing Angle TFT LCD FHD (1920 x 1080)
Protection film
1,400 nits LumiBond® display with Getac sunlight readable technology
Capacitive multi-touch screen

Storage & Memory

8GB DDR4
Optional: 16GB / 32GB / 64GB DDR4
256GB PCIe NVMe SSD
Optional: 512GB / 1TB / 2TB PCIe NVMe SSD
Optional 2nd storageⁱⁱ: 256GB / 512GB / 1TB / 2TB PCIe NVMe SSD

Keyboard

LED backlit membrane keyboard

Pointing Device

Touchscreen
- Capacitive multi-touch screen
Touchpad
- Touchpad with two buttons

Expansion Slots

Smart card reader x 1
Optional: SD card reader x 1
Optional: 1D / 2D imager barcode reader

I/O Interface

5M webcam x 1^{iv}
Audio in/out combo x 1
DC in Jack x 1
PowerShare USB 3.2 x 1
USB 3.2 Gen 2 Type-A x 1
Thunderbolt™ 4 Type-C x 1
LAN (RJ45) x 1
HDMI 2.0 x 1
Docking connector x 1
Optional: SIM card slot x 1 (Mini-SIM, 2FF)ⁱⁱⁱ
Optional: Windows Hello face-authentication
FHD camera (front-facing) x 1^{iv}
Optional: RF antenna pass-through for GPS, WWAN and WLAN
Configurable I/O options^v:
1. Serial port (9-pin; D-sub) x 1 + External VGA (15-pin; D-sub) x 1
2. Serial port (9-pin; D-sub) x 1 + Display port x 1
3. Serial port (9-pin; D-sub) x 1 + External VGA (15-pin; D-sub) x 1 + 2nd LAN (RJ45) x 1
4. Serial port (9-pin; D-sub) x 1 + Display port x 1 + 2nd LAN (RJ45) x 1

Communication Interface

10 / 100 / 1000 base-T Ethernet
Intel® Wi-Fi 6E AX211, 802.11ax
Bluetooth (v5.3)^{vi}
Optional: Dedicated GPS with L1/L5^{vii}
Optional: 4G LTE mobile broadband with integrated GPS^{iii, viii}
Optional: 5G Sub-6 with integrated L1/L5 GPS^{vii, viii}

Security Features

TPM 2.0
Kensington lock
Smart card reader
Optional: Fingerprint reader^{ix}
Optional: HF RFID reader^{ix, x}
Optional: Windows Hello face-authentication
FHD camera (front-facing)^{iv}

Power

AC adapter (90W, 100-240VAC, 50/60Hz)
Li-ion battery (11.1V, typical 2100mAh; min. 2040mAh) x 2
LifeSupport™ battery swappable technology

Dimension (W x D x H) & Weight

342 x 281 x 34.9 mm (13.46" x 11.06" x 1.37")
2.32kg (5.11lbs)^{xi}

Rugged Feature

MIL-STD-810H certified
IP66 certified
MIL-STD-461G certified^{xii}
Vibration & 6ft (1.8m) drop resistant
Optional: ANSI/UL 121201, CSA C22.2 NO. 213 (Class I, Division 2, Groups A, B, C, D)^{xiii}
Optional: Salt fog certified

Environmental Specification

Temperature^{xiv}:
- Operating: -29°C to 63°C / -20°F to 145°F^{xv}
- Storage: -51°C to 71°C / -60°F to 160°F
Humidity:
- 95% RH, non-condensing

Pre-installed software

Getac Utility
Getac Geolocation
Getac Barcode Manager^{xvi}
Optional: Absolute Persistence®

B360 FULLY RUGGED LAPTOP

Optional software

Getac Driving Safety Utility
Getac Device Monitoring System (GDMS)
Getac VGPS Utility^{xvii}

Accessories

Battery (11.1V, typical 2100mAh; min. 2040mAh)
AC adapter (90W, 100-240VAC)
Capacitive stylus with tether

Optional:

Carry bag
Multi-Bay charger (Dual-Bay)
Multi-Bay charger (Eight-Bay)
AC adapter (90W, 100-240VAC)
Office dock AC adapter (120W, 100-240VAC)
MIL-STD-461 AC adapter (90W, 100-240VAC)
DC-DC vehicle adapter (120W, 11-32VDC)
Capacitive stylus with tether
Protection film
Vehicle cradle^{xviii}
Vehicle dock^{xviii}
Office dock
Spare SSD kit
100W Type-C adapter

Bumper-to-Bumper warranty

Accidents can take your equipment out of service when you least expect it, especially in a rugged environment, which can cause costly equipment downtime. That is why Getac has introduced accidental damage as standard under our Bumper-to-Bumper warranty, to help minimize your enterprise IT costs. Bumper-to-Bumper is your hassle-free guarantee. That means you can depend on us to have your unit back in service within days.

Standard

3 years Bumper-to-Bumper

- I. Units equipped with dual channel memory come with Intel® Iris® Xe Graphics.
- II. Second storage is optional and will be fitted with a removable cover when not chosen at point of purchase.
- III. Units with 4G LTE option come with an embedded SIM card slot.
- IV. 5M webcam and optional Windows Hello face-authentication FHD camera (front-facing) are mutually exclusive options.
- V. External VGA and Display port are mutually exclusive.
- VI. Bluetooth performance and connectable distance may be subject to interference with the environments and performance on client devices, users may be able to reduce effects of interference by minimizing the number of active Bluetooth wireless devices that is operating in the area.
- VII. Support GPS, GLONASS, Galileo, BeiDou and QZSS.
- VIII. One physical SIM card slot and one eSIM. Network service may vary depending on local telecommunication providers.
- IX. Fingerprint reader and HF RFID reader are mutually exclusive.
- X. HF (13.56MHz) combo HF RFID/NFC reader (iClass, HID Prox, ISO 15693, 14443 A/B, Mifare and FeliCa™ compliant).
- XI. Weight and dimensions vary from configurations and optional accessories.
- XII. MIL-STD-461 90W AC adapter sold separately.
- XIII. Available with limited configurations and environment conditions.
- XIV. Tested by an independent third-party test lab following MIL-STD-810H.
- XV. For optional DVD / Blu-Ray super-multi drive, the operating temperature is -10°C to 50°C / 14°F to 122°F.
- XVI. Available when barcode reader option is selected.
- XVII. Models require either embedded or standalone GPS module.
- XVIII. Gamber Johnson and Havis vehicle docks are e-mark certified.

Information provided herewith is for reference only, available specification shall be subjected to quotation by request.

	Vehicle Dock	Office Dock
Serial Port	1	1
External VGA	1	1
Microphone	1	1
Audio Output	1	1
DC in Jack	1	1
USB	6	5
LAN	2	2
HDMI 1.3	1	1
RF Antenna Connector	3 (GPS, WWAN, WLAN)	-

Getac



Getac (UK) Ltd.

Getac House, Stafford Park 12, Telford,
Shropshire TF3 3BJ, United Kingdom Tel :
+44 (0) 1952 207 222 Sales-Getac-
UK@getac.com I
www.getac.com/en/Copyright © 2023 Getac
Technology Corporation and/or any of its affiliates.
All Rights Reserved. Information provided herewith
is for reference only, available specification shall be
subjected to quotation by request.