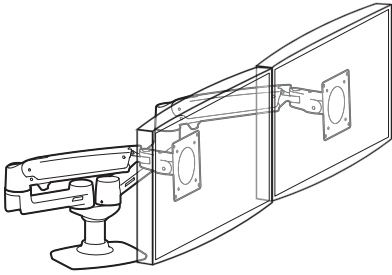
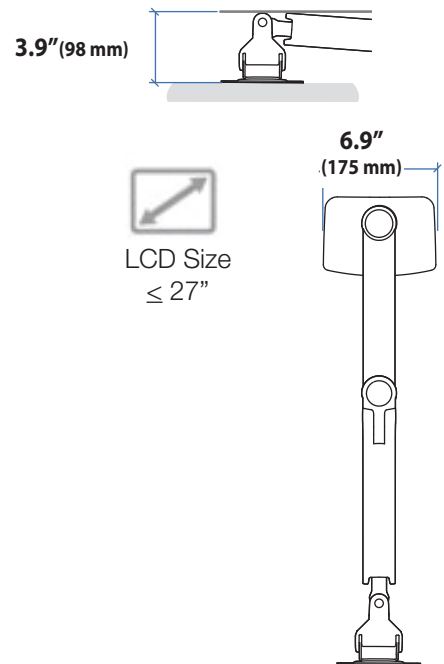
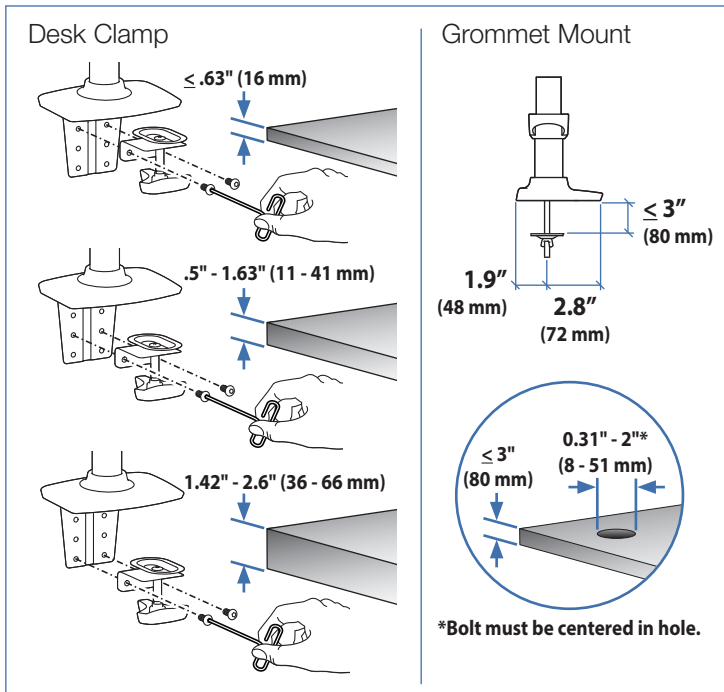
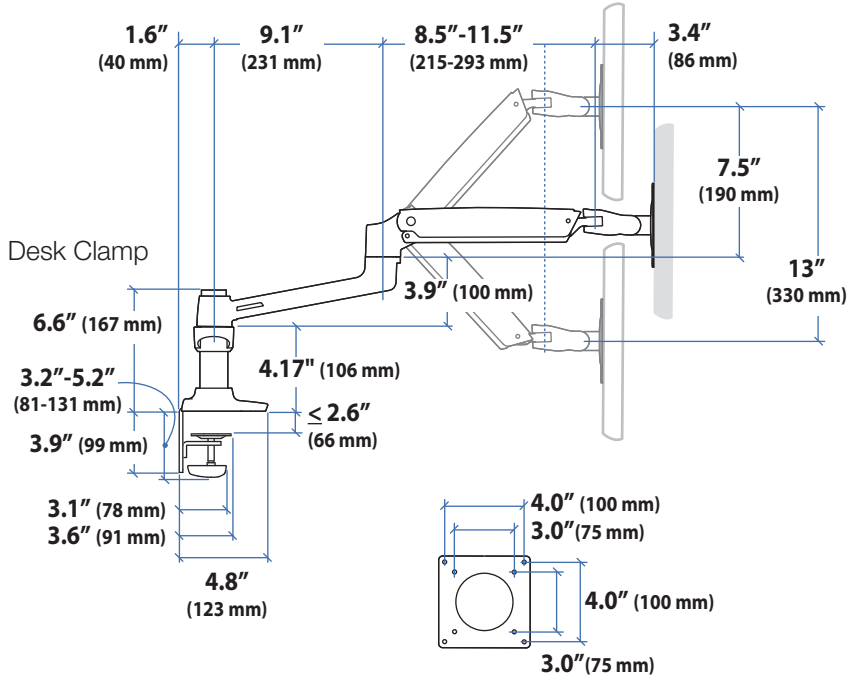


## LX Dual Side by Side Arm



### Dimensions



© 2014 Ergotron, Inc. rev. 11/22/2017 DIM-LXSxS Content is subject to change without notification

**Americas Sales and Corporate Headquarters**

St. Paul, MN USA  
 (800) 888-8458  
 +1-651-681-7600  
 www.ergotron.com  
 sales@ergotron.com

**EMEA Sales**

Amersfoort, The Netherlands  
 +31 33 45 45 600  
 www.ergotron.com  
 info.eu@ergotron.com

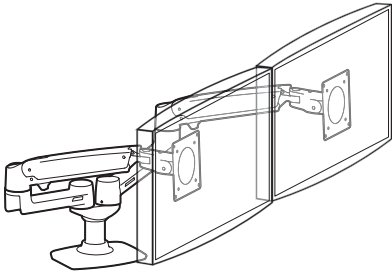
**APAC Sales**

Tokyo, Japan  
 www.ergotron.com  
 apaccustomerservice@ergotron.com

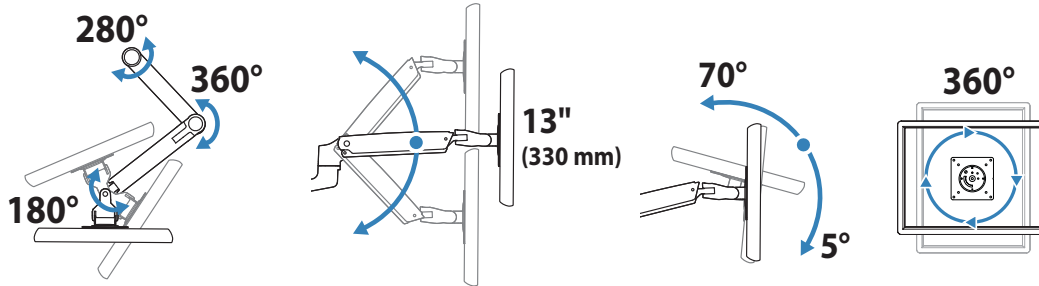
**Worldwide OEM Sales**

www.ergotron.com  
 info.oem@ergotron.com

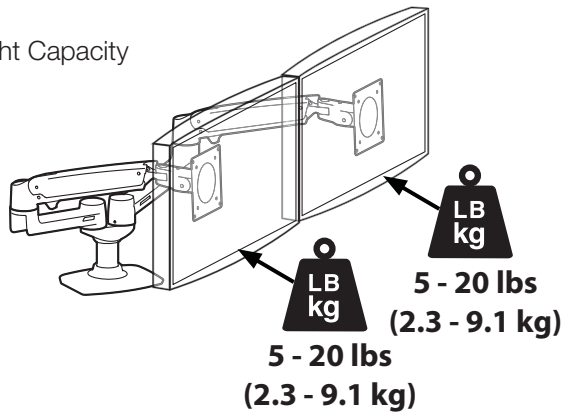
## LX Dual Side by Side Arm



### Range of Motion



### Weight Capacity



Monitor depth greater than 2.5" (64 mm) may diminish capacity.  
Call Ergotron for more information.

#### Americas Sales and Corporate Headquarters

St. Paul, MN USA  
(800) 888-8458  
+1-651-681-7600  
www.ergotron.com  
sales@ergotron.com

#### EMEA Sales

Amersfoort, The Netherlands  
+31 33 45 45 600  
www.ergotron.com  
info.eu@ergotron.com

#### APAC Sales

Tokyo, Japan  
www.ergotron.com  
apaccustomerservice@ergotron.com

#### Worldwide OEM Sales

www.ergotron.com  
info.oem@ergotron.com