

## DS15-631BL1

## NEOMOUNTS DS15-631BL1 TABLET DESK

### SPECIFICATIONS

#### GENERAL

Max. weight	3 kg (per screen)
VESA minimum	75x75 mm
VESA maximum	75x75 mm
Desk mount	Stand

#### FUNCTIONALITY

Type	Tilt Rotate
Lockable	Not lockable
Tilt (degrees)	+75°
Rotate (degrees)	+90°
Height	34,3 cm
Width	30 cm
Depth	20 cm
Adjustment type	None

#### INFORMATION

Color	Black
Main material	Steel
Warranty	5 year
EAN code	8721246340393

\*Please note: The inch sizes stated are just an indication, combined with the weight and VESA sizes. The maximum weight and VESA size are absolute restrictions for the products and should not be exceeded.



Neomounts



Neomounts

### Neomounts DS15-631BL1 Tablet desk stand - 75° tiltable - 90° rotatable - VESA 75x75 - bolt-down - for modular set up with WL15-601/602/603BL1 - Black

The Neomounts DS15-631BL1 is a tablet stand suitable for stand-alone placement and desk mounting and can rotate 90° to switch between portrait and landscape orientation. Additionally, the tablet casing can be tilted up to 75° to ensure the best viewing position for users.

The slick design, together with the anti-skid pads and strong aluminum construction ensures safe and solid placement. The stand has a bolt-down base for extra security and a cable management system that routes the cables within the stand.

The tablet stand is part of a modular set up and must be combined with the following tablet casings:

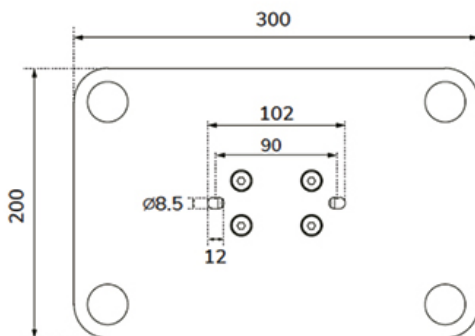
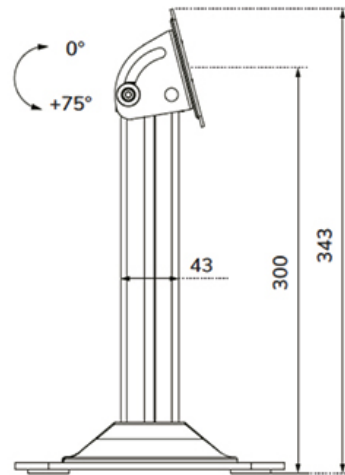
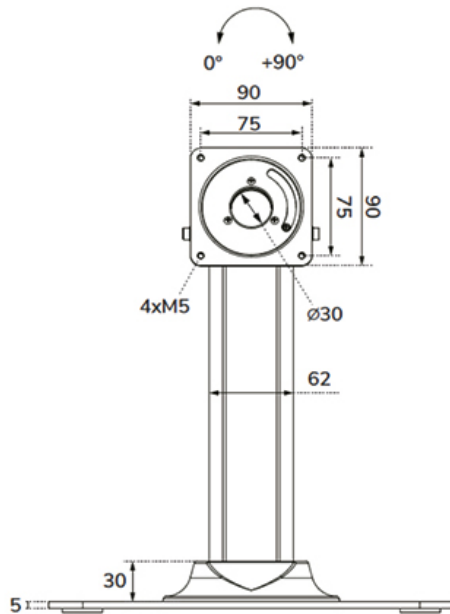
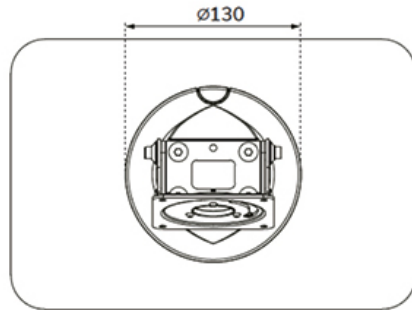
WL15-601BL1 : for size 10,9-11" | 25,4-27,9 cm

WL15-602BL1 : for size 12,4-13" | 31,5-33 cm

WL15-603BL1 : for size 14,6" | 37,1 cm

DS15-631BL1

NEOMOUNTS DS15-631BL1 TABLET DESK



Neomounts

Measuring unit: mm