

Specificat

A-300M

MK Features:

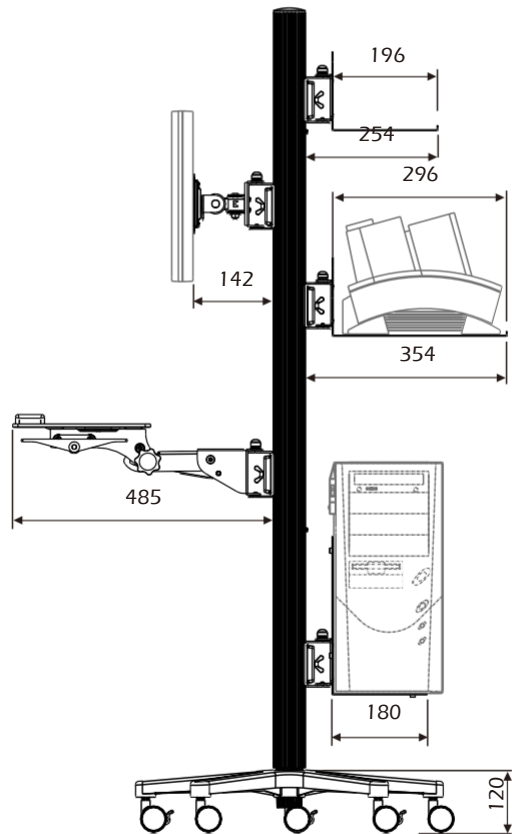
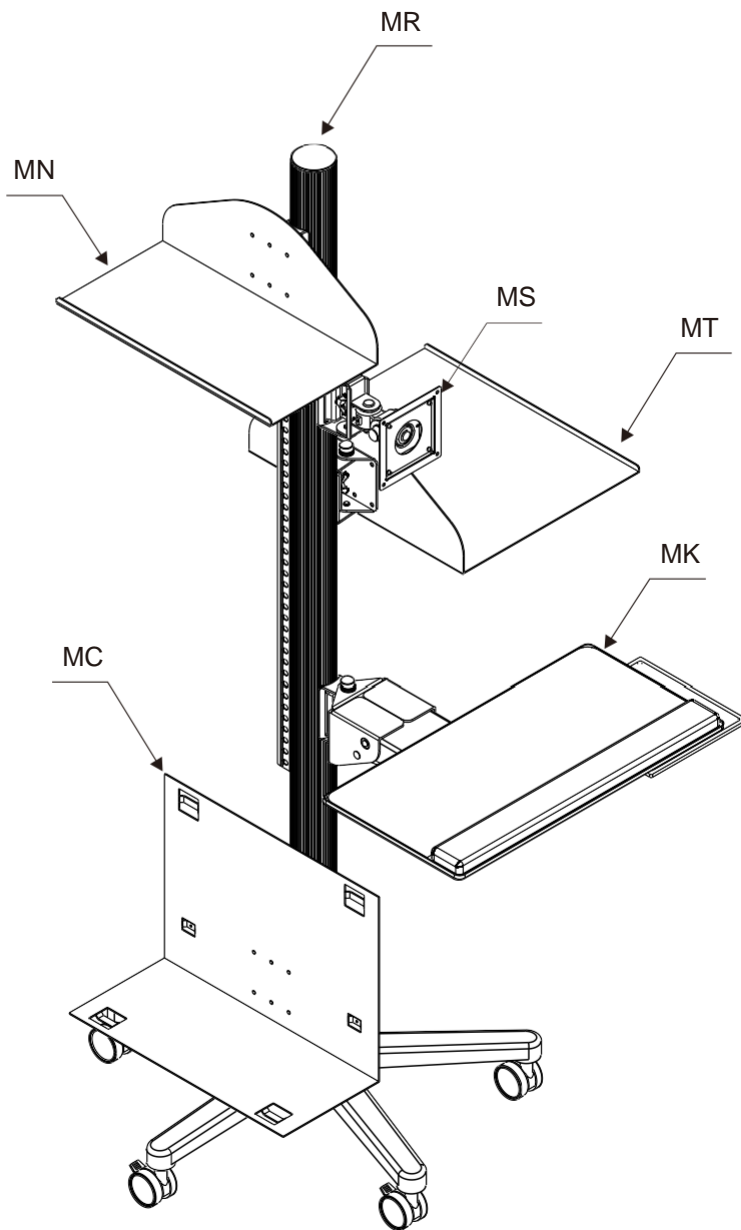
- Base swivel: 180°.
- Max height adjustment: 160mm.
- Platform tilt adjustment range: +15° to -20°.
- Mouse pad rotation: 360°.
- Mouse pad position: left & right side.

Common Features:

- Vertical height up & down: 235~1585mm.
- Horizontal swivel left & right: 180°.
- Pole self rotation: 360°.

MS Features:

- Pivot upwards & downwards: 90°.
- Swivel left & right: 180°.
- LCD monitor swivel: 90°.



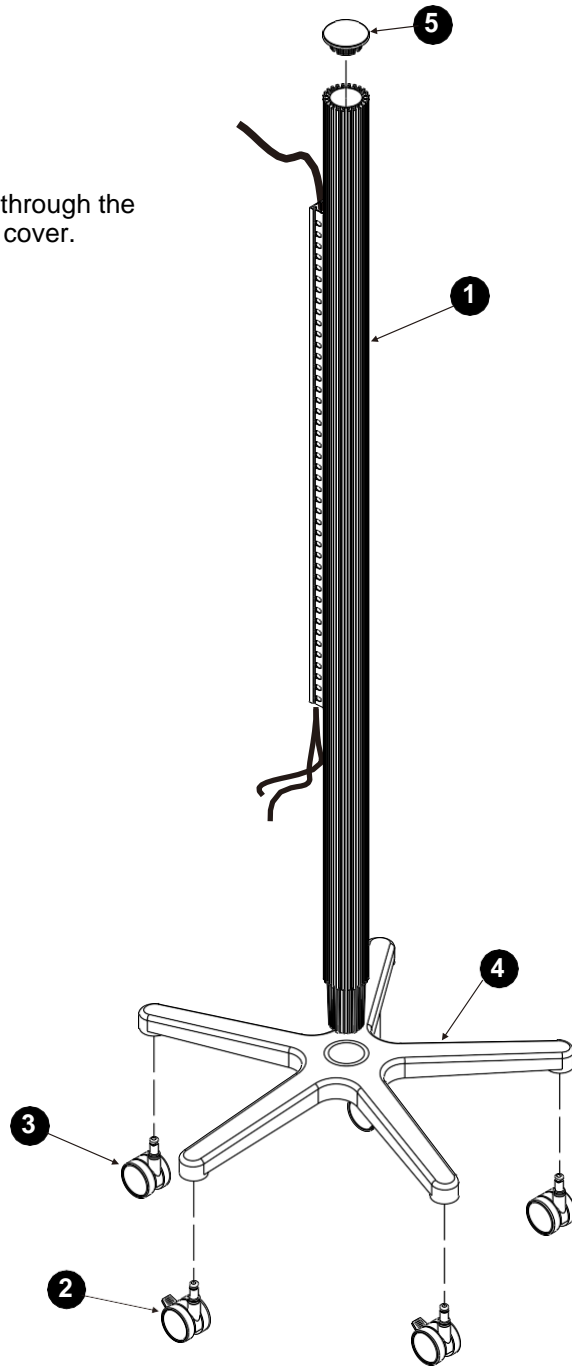
Unit:mm

Work Stand

installation






MR

Spread each cables through the hole in advance and cover.



PartsList

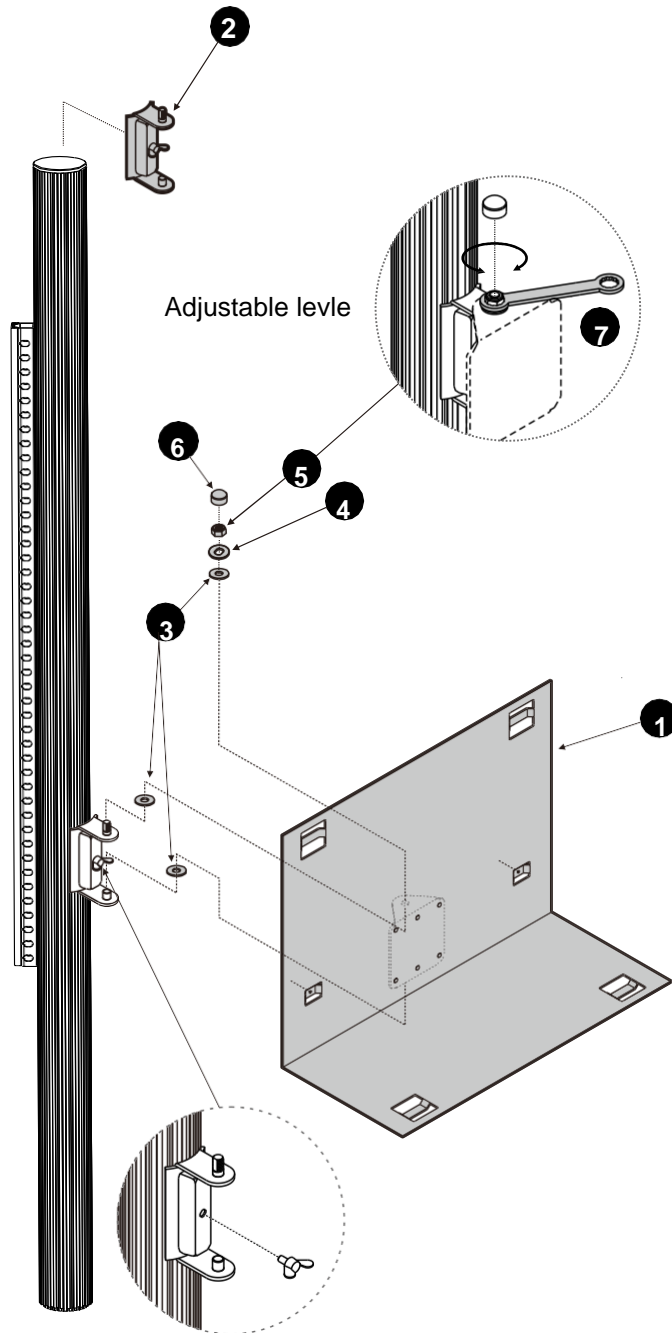
MAIN PARTS

| ITEM | 1 | 2 | 3 | 4 | 5 |
|------|-------------------------------------------------------------------------------------|-------------------------------------------------------------------------------------|-------------------------------------------------------------------------------------|-------------------------------------------------------------------------------------|-------------------------------------------------------------------------------------|
| PART |  |  |  |  |  |
| QTY | 1 | 3 | 2 | 1 | 1 |

Work Stand

installation

MC



PartsList

MAIN PARTS

| ITEM | 1 | 2 | 3 | 4 | 5 | 6 |
|------|---|---|---------|---|---|---|
| PART | | | P.C | | | |
| QTY | 1 | 1 | 3 | 1 | 1 | 1 |

PARTS AS TOOLS

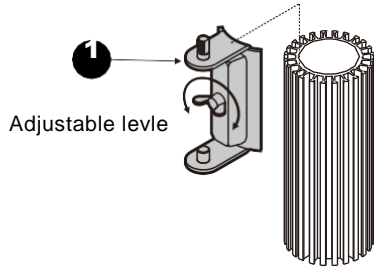
| ITEM | 7 |
|------|---|
| PART | |
| QTY | 1 |

Work Stand

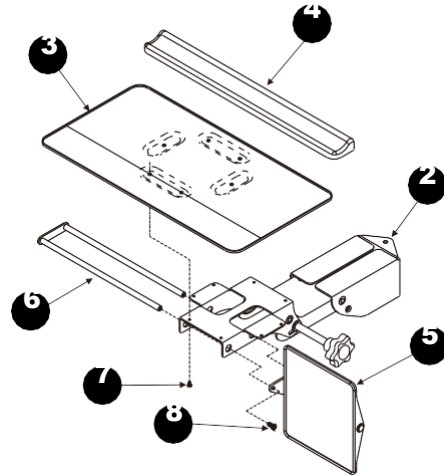
installation

MK

I. Loose the knob.

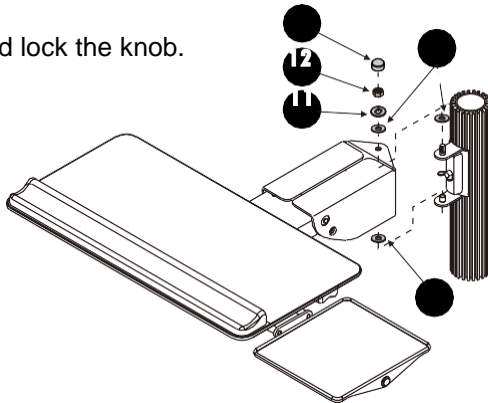


II. Press down the knob per your height.

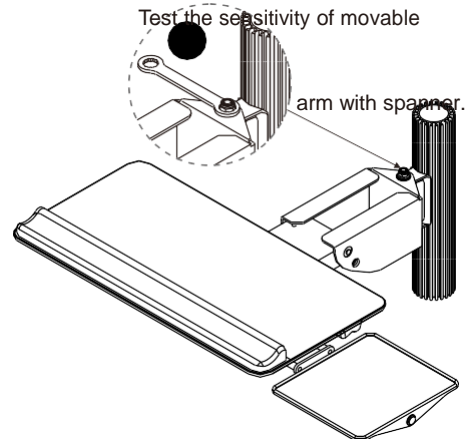


III. Easily adjust the tilt of the platform,

IV. and lock the knob.

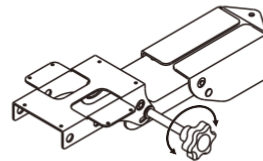


Test the sensitivity of movable



MK Features:

- Base swivel: 150°.
- Max height adjustment: 145mm.
- Platform tilt adjustment range: +15° to -20°.
- Mouse pad rotation: 360°.
- Mouse pad position: left & right side.



Simply to use the knob.



PartsList

MAIN PARTS

| ITEM | | | | | | | | | | | | |
|------|---|---|---|---|---|---|---|---|---|---|---|---|
| PART | | | | | | | | | | | | |
| QTY | 1 | 1 | 1 | 1 | 1 | 1 | 6 | 2 | 3 | 1 | 1 | 1 |

PARTS FOR TOOLS

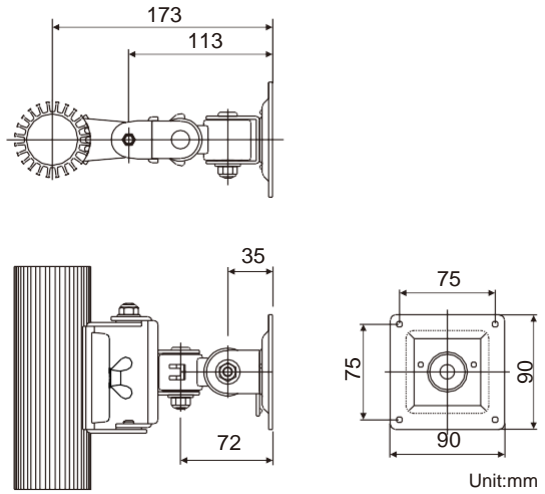
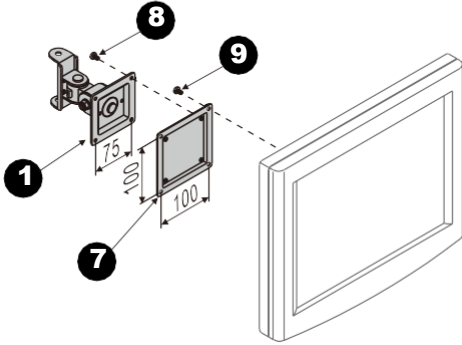
| ITEM | 13 | 14 |
|------|----|----|
| PART | | |
| QTY | 1 | 1 |

Work Stand

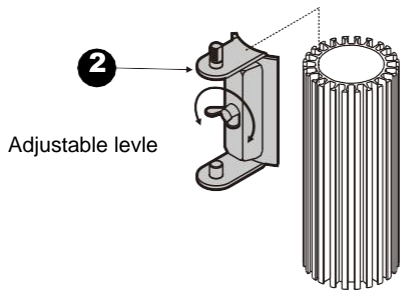
Installation

MS

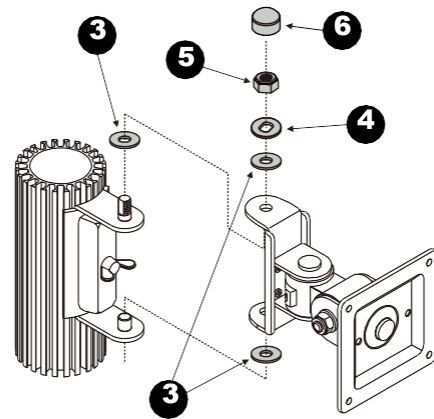
- I. *Includes VESA standards:
75x75 mm and/or 100x100 mm
hole pattern bracket.



- II. Loose the knob.

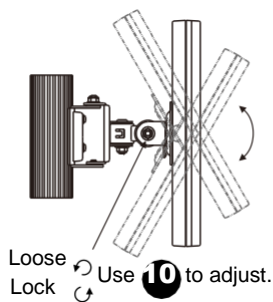


- III.

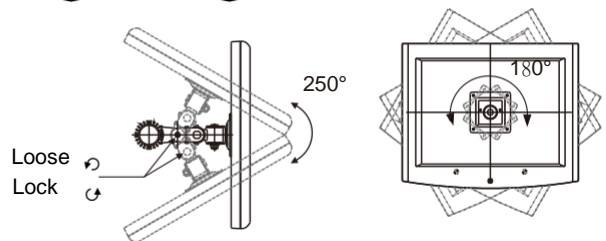


MS Features:

- Pivot upwards & downwards: 90°.
- Swivel left & right: 250°.
- LCD monitor swivel: 180°.




Use 9 to adjust & Nut.



PartsList

MAIN PARTS

PARTS FOR TV BRACKETS

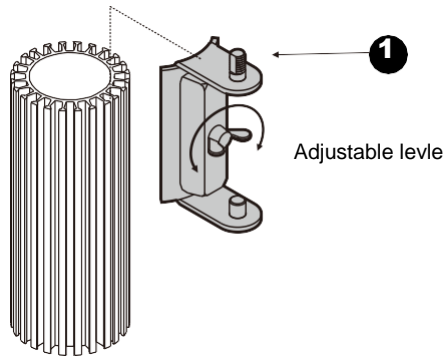
| ITEM | 7 | 8 | 9 | 10 |
|------|-------------|------|-------|---------------------------------------------------------------------------------------|
| PART | VESA100x100 | M4x8 | M4x12 |  |
| QTY | 1 | 4 | 4 | 1 |

Work Stand

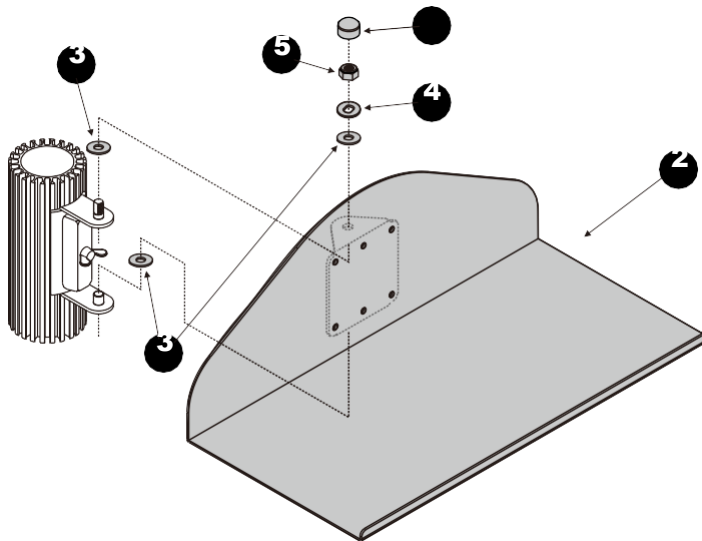
installation

MN

I. Loose the knob.




II.



PartsList

MAIN PARTS

PARTS FOR TOOLS

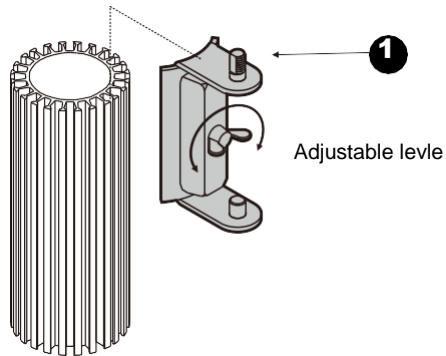
| | |
|------|---------------------------------------------------------------------------------------|
| ITEM | 7 |
| PART |  |
| QTY | 1 |

Work Stand

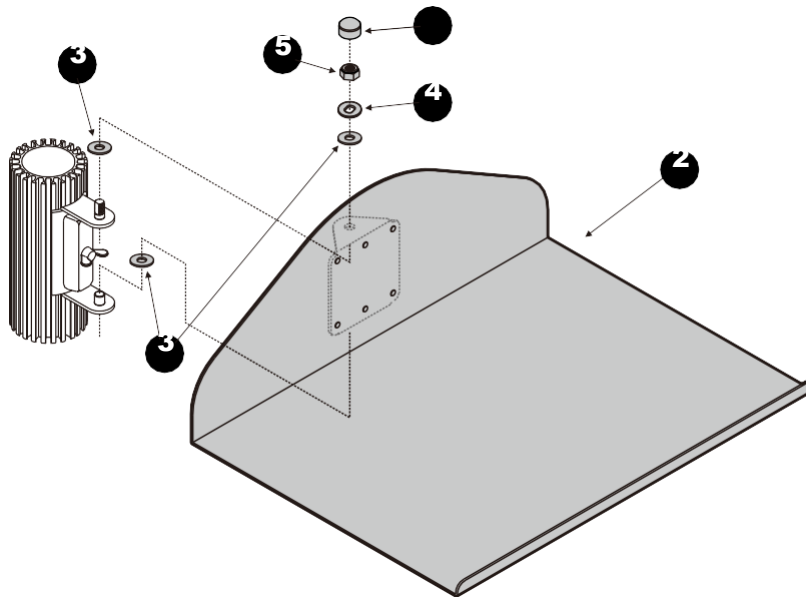
installation

MT

I. Loose the knob.

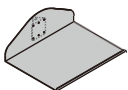


II.




PartsList

MAIN PARTS



PARTS FOR TOOLS

| | |
|------|---------------------------------------------------------------------------------------|
| ITEM | 7 |
| PART |  |
| QTY | 1 |