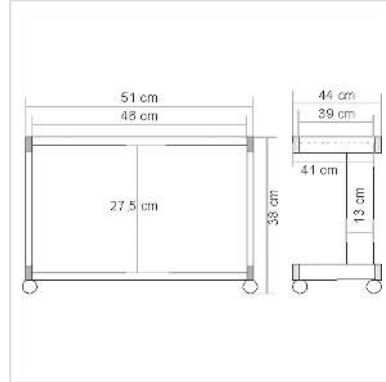


# ROLINE Mini Printer Table, grey

<b>Product No.</b>	17.01.1085
<b>Manufacturer</b>	ROLINE
<b>Manufacturer No.</b>	17.01.1085
<b>EAN (single piece)</b>	7611990120741

**roline**  
Designed for Professionals



- Stable metal frame
- Printer shelf and floor level shelf (WxD: 46x39 cm)
- Mobile through 4 wheels, 2 of them are lockable
- Load bearing capacity: up to 30 kg
- Colour:  
frame: light grey  
surface: white  
surface border: white
- Dimensions (HxWxD): 38x51x44 cm

## Technical specifications

Manufacturer	ROLINE
Product group	Furniture
Product type	printer table
Colour	grey
width table top	46 cm
depth table top	39 cm
Height	380 mm
Width	510 mm
Depth	440 mm
Weight	12.5 kg