

## 2x Fans. 2x Fun.

### ASUS Innovations

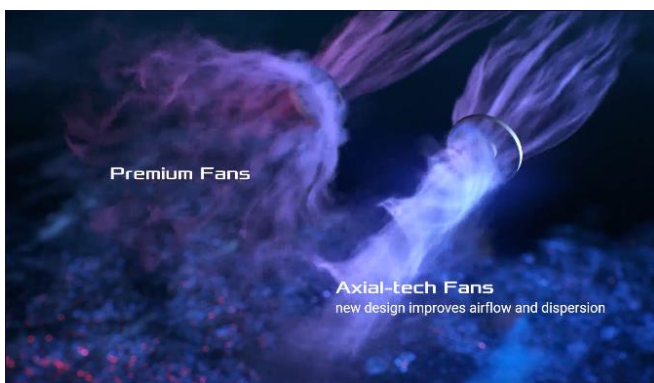
#### NV Features

- **NVIDIA Ampere Streaming Multiprocessors:**  
The all-new Ampere SM brings 2X the FP32 throughput and improved power efficiency.
- **2nd Generation RT Cores:** Experience 2X the throughput of 1st gen RT Cores, plus concurrent RT and shading for a whole new level of ray-tracing performance.
- **3rd Generation Tensor Cores:** Get up to 2X the throughput with structural sparsity and advanced AI algorithms such as DLSS. These cores deliver a massive boost in game performance and all-new AI capabilities.



#### Axial-tech Fan Design

A smaller fan hub facilitates longer blades and a barrier ring that increases downward air pressure.



#### Protective Backplate

The PCB is reinforced by an aluminum backplate that adds structural rigidity, helping to prevent flex and protect components and trace pathways from damage.



### 2-slot Design

A carefully designed shroud, heatsink, and heatpipe layout allows the two Axial-tech fans to leverage chassis side-panel ventilation and deliver thermal performance that belies the card's size.



### Subtle Lighting

The shroud features a subtle illuminated strip that creates a stylish accent for your build.



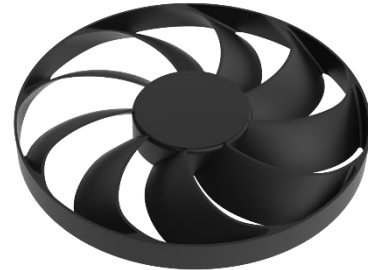
### Stainless Steel Bracket

The mounting bracket of the Dual has been beefed up with 304 Stainless Steel that's harder and more resistant to corrosion.



### 0dB Technology

To eliminate unnecessary noise, a stop mode halts all fans when the GPU temp falls below 50 degrees and power consumption is low.



50 °C

For illustration only.

### Auto-Extreme Technology

An automated manufacturing process that enhances reliability.



### Software Suite

Hardware and software come together to let you fully customize your experience and get the most out of your graphics card. GPU Tweak III allows for hardware tweaking and monitoring, and QuantumCloud utilizes your spare GPU computing power to generate passive income.



## ASUS Features

**OC**  
Edition

### OC edition

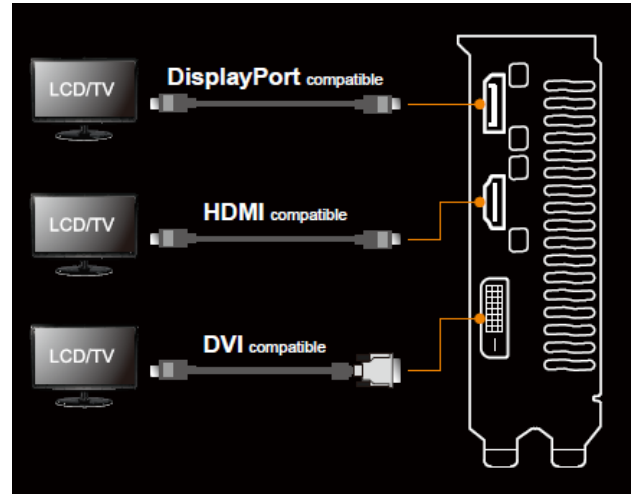
1852 MHz GPU boost clock in OC mode for outstanding gaming experience.

**8GB**  
Memory

### 8GB GDDR6 Memory

On-board memory for the best gaming experience & the best resolution.

## I/O Specifications



## NV Features



### THE ULTIMATE PLAY

GeForce RTX™ 30 Series GPUs deliver the ultimate performance for gamers and creators. They're powered by Ampere—NVIDIA's 2nd gen RTX architecture—with new RT Cores, Tensor Cores, and streaming multiprocessors for the most realistic ray-traced graphics and cutting-edge AI features.



### ULTIMATE RAY TRACING AND AI

NVIDIA RTX is the most advanced platform for ray tracing and AI technologies that are revolutionizing the ways we play and create. Over 150 top games and applications use RTX to deliver realistic graphics with incredibly fast performance or cutting-edge new AI features like NVIDIA DLSS and NVIDIA Broadcast. RTX is the new standard.



### MAX FPS. MAX QUALITY. POWERED BY AI.

Get a performance boost with NVIDIA DLSS (Deep Learning Super Sampling). AI-specialized Tensor Cores on GeForce RTX GPUs give your games a speed boost with uncompromised image quality. This lets you crank up the settings and resolution for an even better visual experience.

### VICTORY MEASURED IN MILLISECONDS

NVIDIA Reflex delivers the ultimate competitive advantage. The lowest latency. The best responsiveness. Powered by GeForce RTX 30 Series GPUs and NVIDIA® G-SYNC® Displays with Reflex. Acquire targets faster, react quicker, and increase aim precision through a revolutionary suite of technologies built to reduce and measure system latency for competitive games.

### THE BEST EXPERIENCE FOR EVERY GAME

GeForce Game Ready Drivers deliver the best experience for your favorite games. They're finely tuned in collaboration with developers and extensively tested across thousands of hardware configurations for maximum performance and reliability. Game Ready Drivers also allow you to optimize game settings with a single click and empower you with the latest NVIDIA technologies. That's what we call Game Ready.

### BUILT FOR LIVE STREAMING

Steal the show with incredible graphics and smooth, stutter-free live streaming. GeForce RTX GPUs feature advanced streaming capabilities thanks to the NVIDIA Encoder (NVENC), engineered to deliver show-stopping performance and image quality. Plus, exclusive optimizations to all your favorite streaming apps unlock the ability to give your audience your very best—every time.

### YOUR AI-POWERED HOME STUDIO

The NVIDIA Broadcast app transforms any room into a home studio—taking your livestreams, voice chats and video conference calls to the next level with powerful AI effects like noise removal, virtual background, and more.

### UP YOUR CREATIVE GAME

Take your creative projects to a new level with GeForce RTX 30 Series GPUs. Experience AI-acceleration in top creative apps and enhance your workflows with the NVIDIA Studio platform of dedicated drivers and exclusive tools. Whether you're rendering complex 3D scenes, editing high resolution video, or seamlessly connecting and collaborating with NVIDIA Omniverse™, GeForce RTX GPUs give you the performance to create your best.

## Specifications

<b>Model name</b>	<b>DUAL-RTX3050-O8G-V2</b>
Graphics Engine	NVIDIA® GeForce RTX™ 3050
CUDA cores	2560
OpenGL®	OpenGL® 4.6
Engine Clock	OC mode: 1852 MHz (Boost Clock) Default mode: 1822 MHz (Boost Clock)
Memory Interface	128-bit
Video Memory	8GB GDDR6
Memory Speed	14 Gbps
Power Connector	1 x 6-pin
I/O	1x Native HDMI 2.1 1x Native DisplayPort 1.4a 1x Native DVI-D
HDCP Compliant	HDCP 2.3
Digital Max. Resolution	7680 x 4320
Maximum Display Support	3
NVLink/Crossfire Support	N/A
Recommended PSU	550W
Bus Standard	PCIe 4.0
Package Contents	1 x Collection Card 1 x Speedsetup Manual
Software Bundled	ASUS GPU Tweak III & GeForce Game Ready Driver & Studio Driver: please download all software from the support site.
Slot	2 slot
<b>Dimension</b>	
Card Size (mm/inch)	200 x 123 x 38 mm 7.87 x 4.84 x 1.50 inches
Color Box (mm)	303 x 220 x 55 mm
<b>Weight</b>	
Single Card (KG)	0.50
Product Weight (with packing) (KG)	0.837
<b>Note</b>	* Our wattage recommendation is based on a fully overclocked GPU and CPU system configuration. For a more tailored suggestion, please use the "Choose By Wattage" feature on our PSU product page: <a href="https://rog.asus.com/event/PSU/ASUS-Power-Supply-Units/index.html">https://rog.asus.com/event/PSU/ASUS-Power-Supply-Units/index.html</a>

