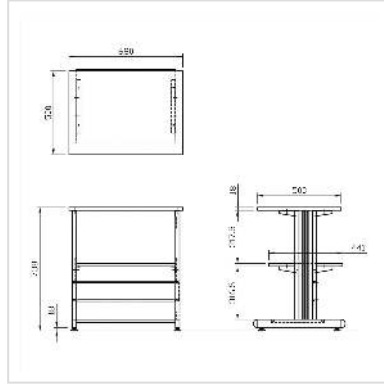


ROLINE Printer Table, up to 80 kg, grey

Product No.	17.01.1089
Manufacturer	ROLINE
Manufacturer No.	17.01.1089
EAN (single piece)	7611990146789

roline
Designed for Professionals



- Stable metal / plastic frame
- Load bearing capacity: up to 80 kg
- Printer shelf (WxD: 68x50 cm)
- Middle shelf (WxD: 59x44 cm)
- Floor level shelf (WxD: 59x31.5 cm)
- Level screws prevent the printer table from tilting on its side
- Colour:
frame: light grey
surface: white
surface border: grey
- Dimensions (WxHxD): 74x68x55 cm

Technical specifications

Manufacturer	ROLINE
Product group	Furniture
Product type	printer table
Colour	grey
delivery condition	decomposed
width table top	68 cm
depth table top	50 cm
Height	740 mm
Width	680 mm

Depth	550 mm
-------	--------

Weight	16 kg
--------	-------