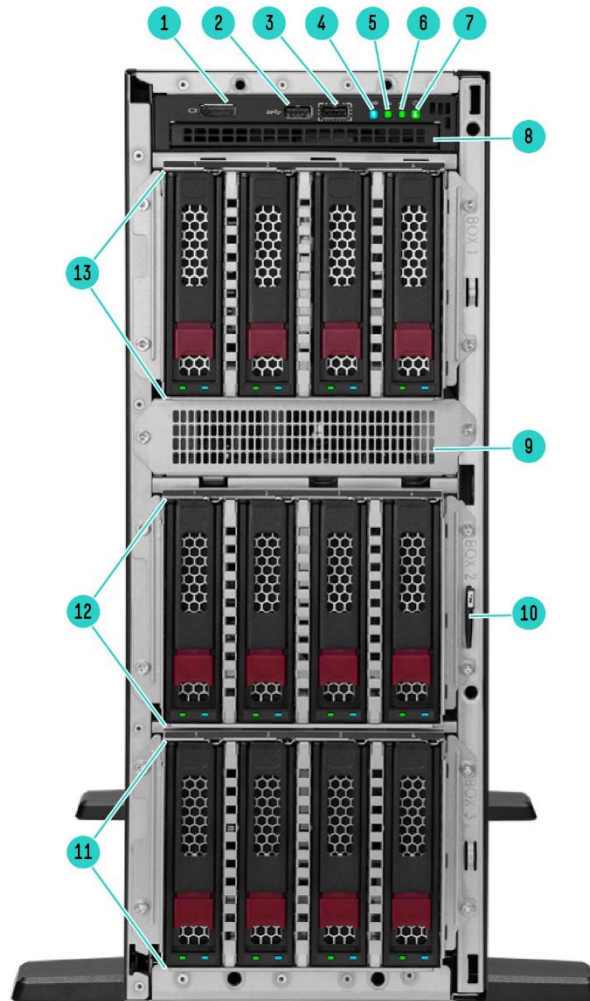


Overview

HPE ProLiant ML350 Gen11

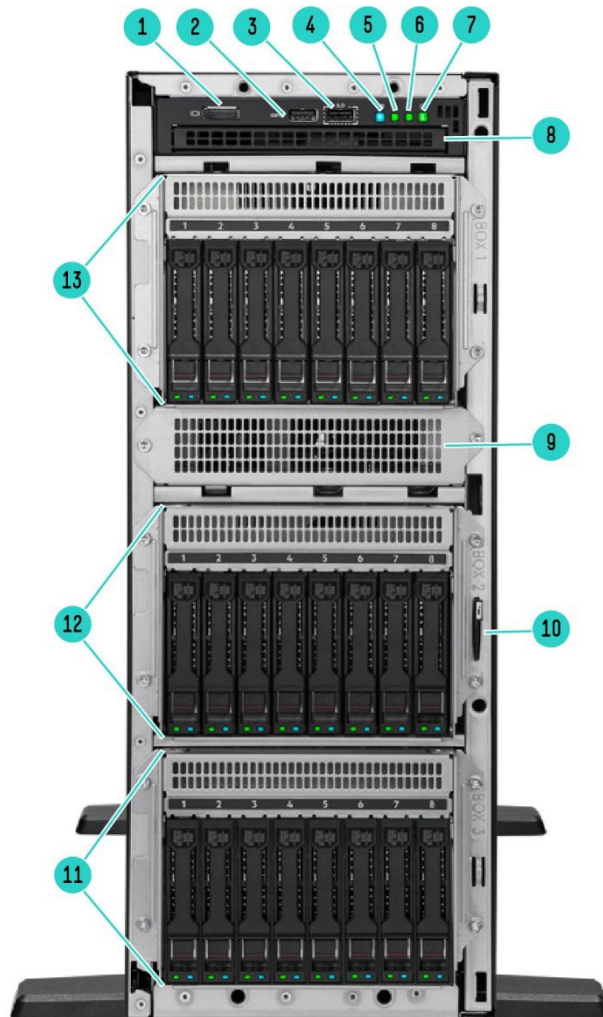
Provide most powerful and storage flexibility 2P tower server with rackable chassis design for various environments, and delivers exceptional compute performance, security, reliability, and expandability. Design to fulfill with wide range workloads for small offices, remote and branch offices of large enterprises, growing SMBs and data centers. HPE ProLiant ML350 Gen11 server is an excellent choice to accelerate your growing business.



Front View – LFF chassis with optional Gen11 4LFF HDD Cage Kits shown (Tower mode)

- | | |
|---|--|
| 1. DisplayPort 1.1a | 8. Optical drive bay |
| 2. USB 3.2 Gen1 port | 9. Media bay filler panel |
| 3. iLO service port | 10. Serial number/iLO information pull tab |
| 4. UID button/LED | 11. Box3: Default drive cage for 4LFF |
| 5. NIC status LED | 12. Box2: Optional drive cage for 8SFF/4LFF |
| 6. Health LED | 13. Box1: Optional drive cage for 8SFF/4LFF, or USB RDX docking station. |
| 7. Power on/Standby button and system power LED | |

Overview



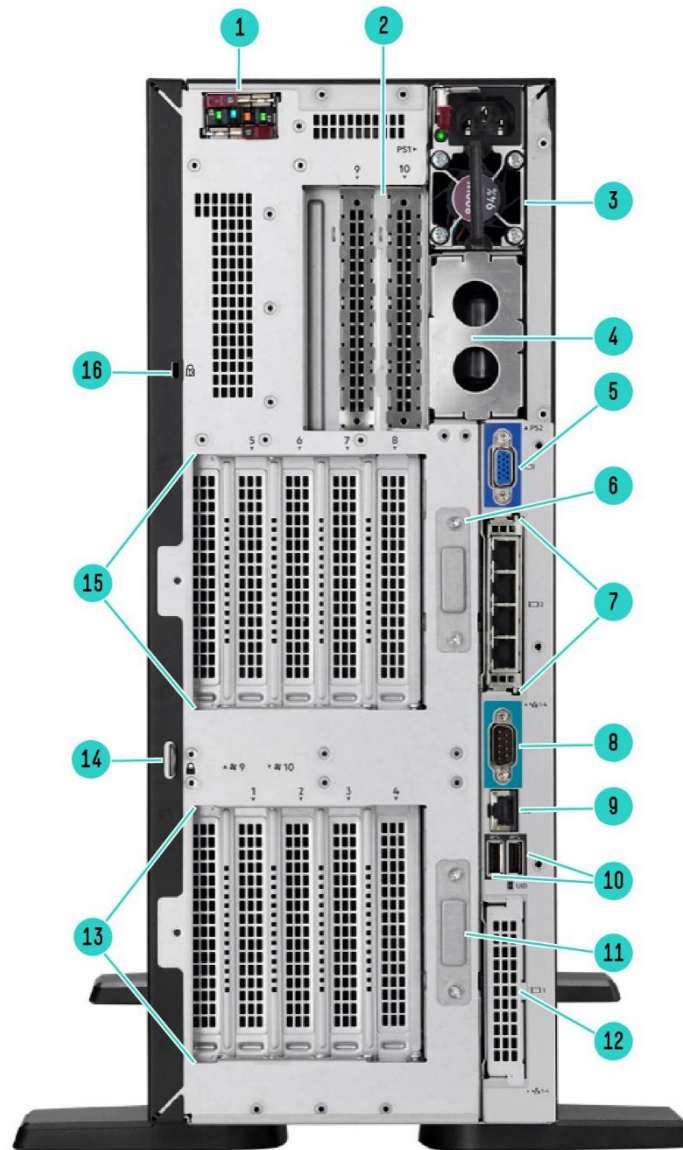
Front View – SFF chassis with optional Gen11 8SFF HDD Cage Kits shown (Tower mode)

- | | |
|---|--|
| 1. DisplayPort 1.1a | 8. Optical drive bay |
| 2. USB 3.2 Gen1 port | 9. Media bay filler panel |
| 3. iLO service port | 10. Serial number/iLO information pull tab |
| 4. UID button/LED | 11. Box3: Default drive cage for 8SFF* |
| 5. NIC status LED | 12. Box2: Optional drive cage for 8SFF |
| 6. Health LED | 13. Box1: Optional drive cage for 8SFF |
| 7. Power on/Standby button and system power LED | |

Notes: *Optional for 8SFF x4 U.3 drive kit or 12 EDSFF drive kit



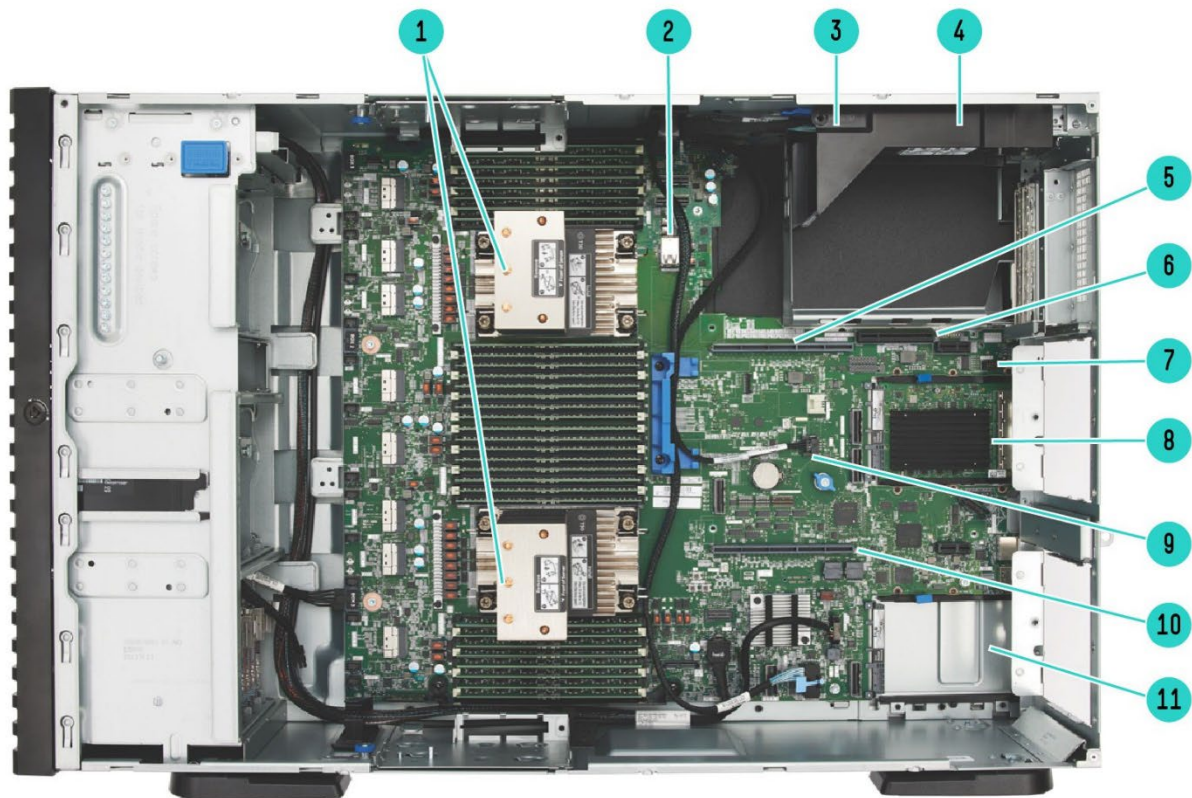
Overview

**Rear View – With HPE Flex Slot RPS shown.**

- | | |
|--|---|
| 1. HPE NS204i-u Gen11 NVMe Hot Plug Boot Optimized Storage Device (Optional) | 9. iLO management port |
| 2. PCIe Slots 9-10 (Optional tertiary riser, 2 nd processor required for expansion card installation) | 10. USB 3.2 Gen 1 ports x2 |
| 3. Flexible Slot power supply 1 | 11. External Fan connector 10 |
| 4. Flexible Slot power supply 2 (Optional) | 12. Slot 14 OCP 1 (Optional for OROC/NIC adapter) |
| 5. VGA Port | 13. PCIe Slots 1-4 (Primary riser) |
| 6. External Fan connector 9 | 14. Padlock eye |
| 7. Slot 15 OCP 2 (Optional for NIC adapter) | 15. PCIe Slots 5-8 (Secondary riser) |
| 8. Serial port (Optional) | 16. Kensington slot |



Overview



Internal View – with optional 2nd CPU, OCP NIC adapter and NS204i-u shown

- | | |
|--|---|
| 1. CPU Socket 1 ¹ & 2 ² | 7. Serial port cable connector |
| 2. Dual USB port (Stacked, Top: USB 3.2 Gen1 port, Bottom: USB 2.0 port) | 8. Slot 15 OCP 2 (Optional for NIC adapter) |
| 3. Megacell battery holder (Under) | 9. HPE NS204i-u power connector |
| 4. HPE NS204i-u Gen11 NVMe Hot Plug Boot Optimized Storage Device (Optional) | 10. Primary riser connector |
| 5. Secondary riser connector | 11. Slot 14 OCP 1 (Optional for OROC/NIC adapter) |
| 6. Tertiary riser sideband connector | |

Notes:

- ¹ CPU1 (bottom) shown Standard Heatsink with fully memory populated in 16 slots (32 slots in total)
- ² CPU2 (top) shown Standard Heatsink with fully memory populated in 16 slots (32 slots in total)



Overview

What's New

- Powered by 4th Generation Intel® Xeon® Scalable processors that support up to 60 cores at 350W, 112.5 MB of L3 Cache, and 32 DIMMs for DDR5 memory up to 4800 MT/s.
- Increased memory bandwidth, performance and lower power requirements with DDR5 memory that supports up to 8 TB memory capacity with 8 channels per processor.
- Advanced data transfer rates from the PCIe Gen5 serial expansion bus.
- Includes HPE Integrated Lights-Out 6 (iLO 6) server management software that enables you to securely configure, monitor, and update your HPE ProLiant Gen11 servers seamlessly from anywhere.
- Supports Tri-mode SFF backplane and hot-pluggable RAID1 protected NS204i-u M.2 NVMe boot option.
- New x4 U.3 NVMe drive cage and EDSFF drive cage to support up to 12 EDSFF PCIe Gen5 NVMe drives.
- Support L40 NVIDIA L40 48GB PCIe Accelerator.
- Support L4 and A16 NVIDIA Accelerator.
- Support 1800W-2200W Flex Slot Titanium Hot Plug Power Supply.
- Support 5th Generation Intel® Xeon® Scalable processors that support up to 64 cores at 350W/330W TDP, 320 MB Cache.
- Support DDR5 5600 MT/s memory 16, 32, 64, 96, 128GB DIMM modules with 5th Gen Intel® Xeon® Scalable processors.
- New pre-configured SKUs with 5th Generation Intel® Xeon® Scalable processors.

Platform Information

Form Factor

- 4U tower with rack conversion capability

Notes: When deployed as a Rack model, this system will take up 5U-height space in a standard data center rack facility.

Chassis Types

- 8 SFF chassis with optional Tri-mode SFF cage kit (s), x4 NVMe SFF cage kit, 12 EDSFF cage kit and 1 slim-line DVD bay kit options
- 4 LFF chassis with optional LFF or SFF cage kit (s), USB RDX docking station and 1 slim-line DVD bay kit options

Notes:

- Mixed SFF and LFF drive cages is supported with LFF chassis, up to 3 drive cages.
- USB RDX docking station is supported up to 1 with LFF chassis.
- U.3 x4 NVMe 8SFF and 12 EDSFF drive cage kit are supported with SFF CTO server only, up to 1 drive cage.

System Fans

- Standard – 3 fans included

Notes:

- Base models typically ship with 3 standard fans as default with every ML350 Gen11 server operations.
 - Performance models typically ship with 8 standard fans which provides N+1 redundant fan feature in most of the situations. For support detail or restriction, refer to **ML350 Gen11 User Guide**.
 - Optional Redundant Fan Kit (P47219-B21), Second CPU Fan Kit (P47902-B21) and External GPU Fan Kit (P47220-B21) provides advanced cooling and redundancy functionality in heavier configurations. Configurations that require fan kit are provided in later sections.
-



Standard Features

Processors

Up to 2 of the following processors, depending on model.

Notes: For more information regarding Intel Xeon processors, please see the following

<https://www.intel.sg/content/www/xa/en/processors/xeon/scalable/xeon-scalable-platform.html>.

– Field upgrade from 4th generation processors (x4xx) to 5th generation processors (x5xx) is not supported.

Intel Xeon® Scalable Processors – Naming Decoder		
Processor Suffix	Description	Offering
P	Cloud – IaaS	Processor specifications optimized for IaaS cloud environments such as orchestration efficiency in high-frequency VM environments.
V	Cloud – SaaS	Processors specification optimized for SaaS cloud environments.
M	Media Transcode	Processor specifications optimized for AI and media processing workloads.
H	DB and Analytics	Database and Analytics up to 4S and 8S depending on SKU
N	Network/5G/Edge(High TPT/Low Latency)	Network/5G/Edge (High TPT /Low Latency) Processor specifications optimized for communications/networking/NFV (Network Function(s) Virtualization) workloads and operating environments.
S	Storage & HCI	Storage-optimized SKU with full accelerators enabled (DSA, QAT, DLB)
T	Long-life Use/High Tcase	Support for up to 10-year reliability and support for higher Tcase. These SKUs are often used in operating environments with long-life use requirements and require Network Equipment Building System (NEBS)–Thermal friendly specification support.
U	1-Socket Optimized*	Supported in one-socket configurations only.
Q	Liquid cooling	Lower Tcase SKUs, targeted towards liquid cooling
+	Feature +	Feature plus(+) SKU contains 1 of each accelerator enabled (DSA, DLB, QAT, IAA)

Intel Fourth Generation Xeon® Scalable Processors							
Intel Xeon Models	CPU Frequency	Cores	L3 Cache	TDP	UPI (16 GT/s)	DDR5	SGX Enclave size
Platinum Processors							
Platinum 8490H Processor	1.9 GHz	60	112.5 MB	350W	4	4800 MT/s	512 GB
Platinum 8480+ Processor	2.0 GHz	56	105 MB	350W	4	4800 MT/s	512 GB
Platinum 8470N Processor	1.7 GHz	52	97.5 MB	300W	3	4800 MT/s	128 GB
Platinum 8470 Processor	2.0 GHz	52	105 MB	350W	4	4800 MT/s	512 GB
Platinum 8468 Processor	2.1 GHz	48	105 MB	350W	4	4800 MT/s	512 GB
Platinum 8468V Processor	2.4 GHz	48	97.5 MB	330W	3	4800 MT/s	128 GB
Platinum 8458P Processor	2.7 GHz	44	82.5 MB	350W	3	4800 MT/s	512 GB
Platinum 8460Y+ Processor	2.0 GHz	40	105 MB	300W	4	4800 MT/s	128 GB
Platinum 8452Y Processor	2.0 GHz	36	67.5 MB	300W	4	4800 MT/s	128 GB
Platinum 8444H Processor	2.9 GHz	16	45 MB	270W	4	4800 MT/s	512 GB
Gold Processors							
Gold 6448H Processor	2.4 GHz	32	60 MB	250W	3	4800 MT/s	512 GB
Gold 6454S Processor	2.2 GHz	32	60 MB	270W	4	4800 MT/s	128 GB
Gold 6448Y Processor	2.1 GHz	32	60 MB	225W	3	4800 MT/s	128 GB
Gold 6430 Processor	2.1 GHz	32	60 MB	270W	3	4400 MT/s	128 GB
Gold 6438N Processor	2.0 GHz	32	60 MB	205W	3	4800 MT/s	128 GB
Gold 6438Y+ Processor	2.0 GHz	32	60 MB	205W	3	4800 MT/s	128 GB
Gold 6414U Processor*	2.0 GHz	32	60 MB	250W	N/A	4800 MT/s	128 GB
Gold 6421N Processor*	1.8 GHz	32	60 MB	185W	N/A	4400 MT/s	128 GB
Gold 6442Y Processor	2.6 GHz	24	60 MB	225W	3	4800 MT/s	128 GB
Gold 6418H Processor	2.1 GHz	24	60 MB	185W	3	4800 MT/s	512 GB
Gold 6416H Processor	2.2 GHz	18	45 MB	165W	3	4800 MT/s	512 GB

Standard Features

Gold 6426Y Processor	2.5 GHz	16	37.5 MB	185W	3	4800 MT/s	128 GB
Gold 6434 Processor	3.7 GHz	8	22.5 MB	195W	3	4800 MT/s	128 GB
Gold 5420+ Processor	2.0 GHz	28	52.5 MB	205W	3	4400 MT/s	128 GB
Gold 5418N Processor	1.8 GHz	24	45 MB	165W	3	4000 MT/s	128 GB
Gold 5418Y Processor	2.0 GHz	24	45 MB	185W	3	4400 MT/s	128 GB
Gold 5411N Processor*	1.9 GHz	24	45 MB	165W	N/A	4400 MT/s	128 GB
Gold 5416S Processor	2.0 GHz	16	30 MB	150W	3	4400 MT/s	128 GB
Gold 5415+ Processor	2.9 GHz	8	22.5 MB	150W	3	4400 MT/s	128 GB
Sliver Processors							
Silver 4416+ Processor	2.0 GHz	20	37.5 MB	165W	2	4000 MT/s	64 GB
Silver 4410Y Processor	2.0 GHz	12	30 MB	150W	2	4000 MT/s	64 GB
Bronz Processors							
Bronze 3408U Processor*	1.8 GHz	8	22.5 MB	125W	N/A	4000 MT/s	64 GB

Intel Fifth Generation Xeon® Scalable Processors							
Intel Xeon Models	CPU Frequency	Cores	L3 Cache	TDP	UPI (16 GT/s)	DDR5	SGX Enclave size
Platinum Processors							
Platinum 8592+ Processor	1.9 GHz	64	320 MB	350W	4	5600 MT/s	512 GB
Platinum 8592V Processor	2.0 GHz	64	320 MB	330W	3	4800 MT/s	512 GB
Platinum 8580 Processor	2.0 GHz	60	300 MB	350W	4	5600 MT/s	512 GB
Platinum 8581V Processor*	2.0 GHz	60	300 MB	270W	N/A	4800 MT/s	512 GB
Platinum 8570 Processor	2.1 GHz	56	300 MB	350W	4	5600 MT/s	512 GB
Platinum 8568Y+ Processor	2.3 GHz	48	300 MB	350W	4	5600 MT/s	512 GB
Platinum 8558 Processor	2.1 GHz	48	260 MB	330W	4	5200 MT/s	512 GB
Platinum 8558U Processor*	2.0 GHz	48	260 MB	300W	N/A	4800 MT/s	512 GB
Platinum 8558P Processor	2.7 GHz	48	260 MB	350W	3	5600 MT/s	512 GB
Gold Processors							
Gold 6554S Processor	2.2 GHz	36	180 MB	270W	4	5200 MT/s	128 GB
Gold 6530 Processor	2.1 GHz	32	160 MB	270W	3	4800 MT/s	128 GB
Gold 6548Y+ Processor	2.5 GHz	32	60 MB	250W	3	5200 MT/s	128 GB
Gold 6548N Processor	2.8 GHz	32	60 MB	250W	3	5200 MT/s	128 GB
Gold 6538Y+ Processor	2.2 GHz	32	60 MB	225W	3	5200 MT/s	128 GB
Gold 6538N Processor	2.1 GHz	32	60 MB	205W	3	5200 MT/s	128 GB
Gold 6542Y Processor	2.9 GHz	24	60 MB	250W	3	5200 MT/s	128 GB
Gold 6526Y Processor	2.8 GHz	16	37.5 MB	195W	3	5200 MT/s	128 GB
Gold 6534 Processor	3.9 GHz	8	22.5 MB	195W	3	4800 MT/s	128 GB
Gold 5520+ Processor	2.2 GHz	28	52.5 MB	205W	3	4800 MT/s	128 GB
Gold 5515+ Processor	3.2 GHz	8	22.5 MB	165W	3	4800 MT/s	128 GB
Sliver Processors							
Silver 4516Y+ Processor	2.2 GHz	24	45 MB	185W	2	4400 MT/s	64 GB
Silver 4514Y Processor	2.0 GHz	16	30 MB	150W	2	4400 MT/s	64 GB
Silver 4510 Processor	2.4 GHz	12	30 MB	150W	2	4400 MT/s	64 GB
Silver 4509Y Processor	2.6 GHz	8	22.5 MB	125W	2	4400 MT/s	64 GB
Bronz Processors							
Bronze 3508U Processor*	2.1 GHz	8	22.5 MB	125W	N/A	4400 MT/s	64 GB

Notes:

- 80 PCIe 5.0 lanes per processor.
- * “U” processors (i.e. 6414U, 3408U, 3508U), 6421N, 5411N, 8581V and 8558U are only supported in single socket configuration.
- Bronz Processors (3408U and 3508U) are supported up to PCIe Gen4.
- Processors with TDP equal to or greater than 195W require Performance Heatsink (P47224-B21).



Standard Features

- Processors with TDP equal to or greater than 300W require both Redundant Fan Kit (P47219-B21) and Second CPU Fan Kit (P47902-B21).
- DDR5 memory speed is the maximum memory speed supported by the processor. Actual maximum memory speed is a function of the memory type, memory configuration, and processor model.
- Intel VROC NVMe feature is not supported with 4510, 4509Y and 3508U processors.

Chipset

Intel® C741 Chipset

Notes: For more information regarding Intel® chipsets, please see the following URL:

<https://www.intel.com/content/www/us/en/products/chipsets/server-chipsets.html>

System Management Chipset

HPE iLO 6 ASIC

Notes: Read and learn more in the [iLO QuickSpecs](#).

Memory

One of the following depending on model

Type	HPE DDR5 Smart Memory, Registered (RDIMM)
DIMM Slots Available	32 DIMM slots 16 DIMM slots per processor, 8 channels per processor, 2 DIMMs per channel
Maximum capacity (RDIMM)	8.0TB 32 x 256 GB RDIMM @ 4400MT/s at 2 DPC with 4 th Gen Intel Processors and DDR5 4800 DIMMs 8.0 TB 32 x 256 GB RDIMM @ 4400 MT/s at 2 DPC with 5 th Gen Intel Processors and DDR5 5600 DIMMs

Notes:

- Actual maximum memory speed is a function of the memory type, memory configuration, and processor model.
- For additional information, please see the [HPE DDR5 Smart Memory QuickSpecs](#).
- For General Server Memory and Persistent Memory Population Rules and Guidelines for Gen11 see details here: <http://www.hpe.com/docs/memory-population-rules>

Memory Protection

Advanced ECC

Advanced ECC uses single device data correction to detect and correct single and all multibit error that occurs within a single DRAM chip.

Online Spare

Memory online spare mode detects a rank that is degrading and switches operation to the spare rank.

Notes: For more information see our [Memory RAS feature technical whitepaper](#).

Expansion Slots

Primary Riser

Notes:

- Bus width indicates the number of physical electrical lanes running to the connector.
- There are two Primary riser configurations:
 - o Default with 4x8 Primary Riser Kit provides 4 slots with PCIe Gen5 x8 on Slot1-4.
 - o Optional 2x16 Primary FIO Riser Kit provides 2 slots with PCIe Gen5 x16 on Slot2 & 4.



Standard Features

Primary Riser 4x8

Slots #	Processor	Technology	Bus Width	Connector Width	Slot Form Factor
1	CPU 1	PCIe 5.0	X8	X16	Full-height,full-length slot
2	CPU 1	PCIe 5.0	X8	X16	Full-height,full-length slot
3	CPU 1	PCIe 5.0	X8	X16	Full-height,full-length slot
4	CPU 1	PCIe 5.0	X8	X16	Full-height,full-length slot

Primary Riser 2x16

Slots #	Processor	Technology	Bus Width	Connector Width	Slot Form Factor
2	CPU 1	PCIe 5.0	X16	X16	Full-height,full-length slot
4	CPU 1	PCIe 5.0	X16	X16	Full-height,full-length slot

Secondary Riser

Notes:

- Bus width indicates the number of physical electrical lanes running to the connector.
- There are two Secondary riser configurations as options:
 - o 4x8 Secondary Riser Kit provides 4 slots with PCIe Gen5 x8 on Slot5-8.
 - o 2x16 Secondary Riser Kit provides 2 slots with PCIe Gen5 x16 on Slot6 & 8.

Secondary Riser 4x8

Slots #	Processor	Technology	Bus Width	Connector Width	Slot Form Factor
5	CPU 2	PCIe 5.0	X8	X16	Full-height,full-length slot
6	CPU 2	PCIe 5.0	X8	X16	Full-height,full-length slot
7	CPU 2	PCIe 5.0	X8	X16	Full-height,full-length slot
8	CPU 2	PCIe 5.0	X8	X16	Full-height,full-length slot

Secondary Riser 2x16

Slots #	Processor	Technology	Bus Width	Connector Width	Slot Form Factor
6	CPU 2	PCIe 5.0	X16	X16	Full-height,full-length slot
8	CPU 2	PCIe 5.0	X16	X16	Full-height,full-length slot

Tertiary Riser

Notes:

- Bus width indicates the number of physical electrical lanes running to the connector.
- Tertiary Riser Kit provides 2 slots with PCIe Gen5 x8 on Slot9 & 10.
- Two CPU 2 MCIO connectors will be occupied to support expansion card on the riser.
- 2x8 Tertiary Riser Kit provides 2 slots with PCIe Gen5 x8 on Slot9 & 10.

Tertiary Riser 2x8

Slots #	Processor	Technology	Bus Width	Connector Width	Slot Form Factor
9	CPU 2	PCIe 5.0	X8	X16	Half-height,Half-length slot
10	CPU 2	PCIe 5.0	X8	X16	Half-height,Half-length slot

Internal Storage Devices

- **Optical Drive**
Available as an option (DVD-ROM or DVD-RW)
- **HDD/SSD**
None ship as standard



Standard Features

Storage Controllers

NVMe Boot Devices

- HPE NS204i-u Gen11 NVMe Hot Plug Boot Optimized Storage Device

Software RAID

Notes: Additional steps are required for OS installation with Intel VROC, please refer to the link [Intel Virtual RAID on CPU for HPE Gen11 User Guide - Installing OS on the Intel VROC RAID](#)

- **Intel VROC SATA for HPE ProLiant Gen11**

Notes:

- All models feature embedded storage controller that supports SATA RAID with up to 12 (4+4+4) LFF or 8SFF. Each LFF drive cages are separated drive groups, SFF drive cage also separates to two drive groups (Bay1-4 and Bay5-8).
- When NS204i-u selected, embedded storage controller supports up to 8 (4+4) LFF or 8SFF drive bays.
- Intel VROC for HPE ProLiant Gen11 is an enterprise, hybrid Software RAID solution specifically designed for SSDs.
- Intel VROC is a software-based solution utilizing Intel CPU to RAID or HBA direct connected drives.
- RAID Support- 0/1/5/10.
- Windows and Linux OS support.
- Host Tools- Windows GUI/CLI, Linux CLI.
- UEFI Support- HII Utility, OBSE.
- iLO Support- IML, Alert, SNMP, AHS.
- iLO Redfish- Redfish Read .
- Intel VROC SATA for HPE ProLiant Gen11 will operate in UEFI mode only. For legacy support an additional storage controller will be needed.
- Intel VROC SATA is off by default and must be enabled.

- **Intel VROC NVMe for HPE ProLiant Gen11**

Notes:

- All models feature 4 x8 PCIe 5.0 connectors per socket for NVMe connectivity, provides support for up to 8 direct attach x4 NVMe bays.
- Intel VROC for HPE ProLiant Gen11 is an enterprise, hybrid Software RAID solution specifically designed for NVMe SSDs connected directly to the CPU. Intel VROC is a software-based solution utilizing Intel CPU to RAID or HBA direct connected drives.
- Intel Virtual RAID on CPU Standard for RAID 0/1/10 (S0E37A/S0E38AAE) or Premium SKU for RAID 0/1/5/10 (R7J57A/R7J59AAE) must be ordered to enable RAID support.
- Windows, Linux, VMware OS support.
- Host Tools- Windows GUI/CLI, Linux CLI.
- UEFI Support- HII Utility, OBSE.
- Active health monitoring of NVMe M.2 drives requires use of SMART tools.
- Intel VROC NVMe for HPE ProLiant Gen11 will operate in UEFI mode only. For legacy support an additional Tri-Mode controller will be needed.
- For NVMe SSDs only, no PCIe card support.
- Intel VROC NVMe feature is not supported with 4510, 4509Y and 3508U processors.

Essential RAID Controllers

- HPE Smart Array E208e-p SR Gen10 Controller

Tri-mode RAID Controllers

- HPE MR216i-o Gen11 x16 Lanes without Cache OCP SPDM Storage Controller
- HPE MR216i-p Gen11 x16 Lanes without Cache OCP SPDM Storage Controller
- HPE MR408i-o Gen11 x8 Lanes 4GB Cache OCP SPDM Storage Controller
- HPE MR416i-o Gen11 x16 Lanes 8GB Cache OCP SPDM Storage Controller

Standard Features

- HPE MR416i-p Gen11 x16 Lanes 8GB Cache OCP SPDM Storage Controller
- HPE SR932i-p Gen11 x32 Lanes 8GB Wide Cache PCI SPDM Plug-in Storage Controller

Maximum Storage

Drive	Capacity	Configuration
Hot Plug LFF SAS HDD	240 TB	12 x20TB
Hot Plug LFF SATA HDD	240TB	12 x20TB
Hot Plug LFF SAS SSD	11.52 TB	12 x960GB
Hot Plug LFF SATA SSD	11.52 TB	12 x960GB
Hot Plug SFF SAS HDD	57.6 TB	24 x2.4TB
Hot Plug SFF SAS SSD	368.64 TB	24 x15.36TB
Hot Plug SFF SATA SSD	184.32 TB	24 x7.68TB
Hot Plug SFF NVMe SSD	368.64 TB	24 x15.36TB
Hot Plug EDSFF NVMe SSD	183.6 TB	12 x15.3TB
Hot Plug NVMe M.2 SSD	480 GB	2 x480GB (With RAID1 protected NS204i-u boot option)

Graphics

Integrated Video Standard

- Video modes up to 1920 x 1200@60Hz (32 bpp)
- 16MB Video Memory

HPE iLO 6 on system management memory

- 64 MB Flash
- 8 Gbit DDR 4 with ECC protection

Power Supply

- HPE 500W Flex Slot Platinum Hot Plug Low Halogen Power Supply Kit
Notes: Available in 94% Power Efficiency
- HPE 800W Flex Slot Platinum Hot Plug Low Halogen Power Supply Kit
Notes: Available in 94% Power Efficiency
- HPE 1000W Flex Slot Titanium Hot Plug Low Halogen Power Supply Kit
Notes: Available in 96% Power Efficiency
- HPE 1600W Flex Slot -48VDC Hot Plug Power Supply Kit
- HPE 1600W Flex Slot Platinum Hot Plug Low Halogen Power Supply Kit
Notes:
 - Available in 94% Power Efficiency.
 - 200-240VAC power input only.
- HPE 1800W-2200W Flex Slot Titanium Hot Plug Power Supply
Notes:
 - Available in 96% Power Efficiency.
 - 200-240VAC power input only.

HPE Flexible Slot (Flex Slot) Power Supplies share a common electrical and physical design that allows for hot plug, tool-less installation into HPE ProLiant Gen11 Performance Servers. Flex Slot power supplies are certified for high-efficiency operation and offer multiple power output options, allowing users to "right-size" a power supply for specific server configurations. This flexibility helps to reduce power waste, lower overall energy costs, and avoid "trapped" power capacity in the data center.

All pre-configured servers ship with a standard 6-foot IEC C-13/C-14 jumper cord (A0K02A). This jumper cord is also included with each standard AC power supply option kit. If a different power cord is required, please check the [ProLiant Power Cables](#) web page.

To review the power requirements for your selected system, please use the [HPE Power Advisor Tool](#).

For information on power specifications and technical content visit [HPE Server power supplies](#)



Standard Features

Interfaces

Serial	Optional, rear
Display Port	1 standard, front
VGA Port	1 VGA Port standard, rear
Network Ports	None. Choice of OCP or stand up card
HPE iLO Remote Management Network Port	1 Gb Dedicated, rear
Front iLO Service Port	1 standard, front
USB 3.2 Gen1	4 standard on all models: 1 front, 2 rear, 1 internal
USB 2.0	1 internal

Operating Systems and Virtualization Software Support

- See [HPE Servers Support & Certification Matrices](#)
 - [Microsoft Windows Server](#)
 - [VMware ESXi](#)
 - [Red Hat Enterprise Linux \(RHEL\)](#)
 - [SUSE Linux Enterprise Server \(SLES\)](#)
 - [Canonical Ubuntu](#)
 - [Oracle Linux and Oracle VM](#)
 - [Citrix](#)

Notes: For more information on Hewlett Packard Enterprise Certified and Supported ProLiant Servers for OS and Virtualization Software and latest listing of software drivers available for your server.

<https://www.hpe.com/us/en/servers/server-operating-systems.html>

HPE Server UEFI

Unified Extensible Firmware Interface (UEFI) is an industry standard that provides better manageability and more secured configuration than the legacy ROM while interacting with your server at boot time. HPE ProLiant Gen11 servers have a UEFI Class 2 implementation.

Notes: The UEFI System Utilities tool is analogous to the HPE ROM-Based Setup Utility (RBSU) of legacy BIOS. For more information, please visit <http://www.hpe.com/servers/uefi>.

UEFI enables numerous new capabilities specific to HPE ProLiant servers such as

- Secure Boot and Secure Start enabled for enhanced security
- Operating system specific functionality
- Support for > 2.2 TB (using GPT) boot drives
- USB 3.2 Gen1 Stack
- Embedded UEFI Shell
- Mass Configuration Deployment Tool using iLO RESTful API that is Redfish API Conformant
- PXE boot support for IPv6 networks
- Workload Profiles for simple performance optimization

UEFI Boot Mode only

- TPM 2.0 Support
- NVMe Boot Support
- iSCSI Software Initiator Support.
- HTTP/HTTPS Boot support as a PXE alternative.
- Boot support for option cards that only support a UEFI option ROM

Notes: For UEFI Boot Mode, boot environment and OS image installations should be configured properly to support UEFI.



Standard Features

Industry Standard Compliance

- ACPI 6.1 Compliant
- PCIe 5.0 Compliant
- WOL Support
- Microsoft® Logo certifications
- Support for Microsoft Secure Code
- PXE Support
- VGA/Display Port
- USB 3.2 Gen1 Compliant
- USB 2.0 Compliant
- OCP 3.0 SFF NIC Support
- OCP 3.0 SFF Storage Support
- Embedded TPM Support
- Energy Star
- SMBIOS 3.1
- UEFI 2.7
- UEFI Class 3 (Unified Extensible Firmware Interface Forum)
- Redfish API
- IPMI 2.0
- Advanced Encryption Standard (AES)
- Triple Data Encryption Standard (3DES)
- SNMP v3
- TLS 1.2
- DMTF Systems Management Architecture for Server Hardware Command Line Protocol (SMASH CLP)
- DMTF Redfish support for SecureBoot Key Management
- ACPI DSM Drive LED Management
- Memory Page Retire Support
- Retire old VMware Secure Boot Key
- MCTP over PCIe multi-segment (EDKII for GenoaPI 0.0.9.0, HPE under verifying0)
- Synergy: I3C Engine
- APM
- Active Directory v1.0
- ASHRAE A3/A4

Notes: For additional technical, thermal details regarding ambient temperature, humidity, and feature support, please visit <https://www.hpe.com/support/ASHRAEGen11>

Embedded Management

HPE Integrated Lights-Out (HPE iLO)

Monitor your servers for ongoing management, service alerting, reporting and remote management with HPE iLO.

Learn more at <http://www.hpe.com/info/ilo>.

Intelligent Provisioning

Hassle free server and OS provisioning for 1 or more servers with Intelligent Provisioning.

Learn more at <http://www.hpe.com/servers/intelligentprovisioning>

iLO RESTful API

iLO RESTful API is Redfish API conformance and offers simplified server management automation such as configuration and maintenance tasks based on modern industry standards. Learn more at <http://www.hpe.com/info/restfulapi>



Standard Features

HPE GreenLake for Compute Ops Management

HPE is intelligently transforming compute management with an intuitive cloud operating experience through HPE GreenLake cloud platform to streamline and secure operations from edge-to-cloud. Automated key lifecycle tasks, for onboarding, updating, managing, and monitoring HPE servers, brings agility and greater efficiencies to wherever compute devices reside via a unified single browser-based interface. Manage single locations or multiple, distributed sites. Keep tens to thousands of servers secure with batch policy controls and automated updates.

Compute Ops Management is cloud-native software that is continually updated with new services, features, patches, and fixes. The management application resides in the HPE GreenLake cloud platform (access via <https://console.greenlake.hpe.com>) and leverages the HPE GreenLake architecture, security, and unified operations.

A 3-year subscription to HPE GreenLake for Compute Ops Management is added by default when ordering an HPE ProLiant Gen11 rack, tower, or micro server.

For more information, visit the HPE GreenLake for Compute Ops Management QuickSpecs:

<https://www.hpe.com/psnow/doc/a50004263enw>

Server Utilities

Active Health System

The HPE Active Health System (AHS) is an essential component of the iLO management portfolio that provides continuous, proactive health monitoring of HPE servers. Learn more at <http://www.hpe.com/servers/ahs>

Active Health System Viewer

The Active System Health Viewer (AHSV) was deprecated as of March 2022. Users are now recommended to use the InfoSight (<https://www.hpe.com/us/en/solutions/infosight.html>) for Servers Portal for AHS viewing capabilities. In InfoSight for Servers portal, users will also be able to view hardware configuration details, firmware and driver information, warranty and support status of a server, wellness alerts, and create support cases for servers under a valid warranty or support contract.

HPE InfoSight provides the same security assurances as that of AHSV. Furthermore, InfoSight can be used as an AHSV replacement even if customers do not want to share AHSV logs and telemetry data on an ongoing basis.

Smart Update

Keep your servers up to date with the HPE Smart Update solution by using Smart Update Manager (SUM) to optimize the firmware and driver updates of the Service Pack for ProLiant (SPP).

Learn more at <https://www.hpe.com/us/en/servers/smart-update.html>

iLO Amplifier Pack

Designed for large enterprise and service provider environments with hundreds of HPE servers, the iLO Amplifier Pack is a free, downloadable open virtual application (OVA) that delivers the power to discover, inventory and update Gen11 HPE servers at unmatched speed and scale. Use with an iLO Advanced License to unlock full capabilities.

Learn more at <http://www.hpe.com/servers/iLOamplifierpack>



Standard Features

RESTful Interface Tool

RESTful Interface tool (iLOREST) is a single scripting tool to provision using iLO RESTful API to discover and deploy servers at scale. Learn more at <http://www.hpe.com/info/resttool>

Scripting Tools

Provision one to many servers using your own scripts to discover and deploy with Scripting Tool (STK) for Windows and Linux or Scripting Tools for Windows PowerShell. Learn more at <http://www.hpe.com/servers/powershell>

HPE OneView Standard

HPE OneView is an on premises, multi-generational server monitoring and management solution. HPE OneView Standard can be used for inventory, health monitoring, alerting, and reporting without additional fees. Customers can upgrade their management experience with an HPE OneView Advanced license, all provided by the same tool. Learn more at <http://www.hpe.com/info/oneview>.

Security

- UEFI Secure Boot and Secure Start support
- Immutable Silicon Root of Trust
- FIPS 140-3 validation (iLO 6 certification in progress)
- Common Criteria certification (iLO 6 certification in progress)
- Configurable for PCI DSS compliance
- Advanced Encryption Standard (AES) and Triple Data Encryption Standard (3DES) on browser
- Support for Commercial National Security Algorithms (CNSA)
- Tamper-free updates – components digitally signed and verified
- Secure Recovery – recover critical firmware to known good state on detection of compromised firmware
- Ability to rollback firmware
- Secure erase of NAND
- TPM (Trusted Platform Module) 2.0
- Front bezel key-lock feature – standard, available in both Tower and Rack models
- Padlock slot, standard
- Kensington Lock slot, standard
- Chassis Intrusion detection option

Warranty

This product is covered by a global limited warranty and supported by HPE Services and a worldwide network of HPE Authorized Channel Partners resellers. Hardware diagnostic support and repair is available for three years from date of purchase. Support for software and initial setup is available for 90 days from date of purchase. Enhancements to warranty services are available through HPE Services operational services or customized service agreements. Hard drives have either a one year or three year warranty; refer to the specific hard drive QuickSpecs for details.

Notes: Server Warranty includes 3-Year Parts, 3-Year Labor, 3-Year Onsite support with next business day response. Warranty repairs may be accomplished through the use of Customer Self Repair (CSR) parts. These parts fall into two categories: 1) Mandatory CSR parts are designed for easy replacement. A travel and labor charge will result when customers decline to replace a Mandatory CSR part; 2) Optional CSR parts are also designed for easy replacement but may involve added complexity. Customers may choose to have Hewlett Packard Enterprise replace Optional CSR parts at no charge. 3) Non CSR parts must be serviced by a trained authorized service engineer. Additional information regarding worldwide limited warranty and technical support is available at: <https://www.hpe.com/support/ProLiantServers-Warranties>



Optional Features

Server Management

HPE iLO Advanced

HPE iLO Advanced licenses offer smart remote functionality without compromise, for all HPE ProLiant servers. The license includes the full integrated remote console, virtual keyboard, video, and mouse (KVM), multi-user collaboration, console record and replay, and GUI-based and scripted virtual media and virtual folders. You can also activate the enhanced security and power management functionality.

HPE OneView Advanced-

HPE OneView brings a new level of automation to infrastructure management by taking a template driven approach to provisioning, updating, and integrating compute, storage, and networking infrastructure. It provides full-featured licenses which can be purchased for managing Gen8, Gen9 and Gen10 servers. To learn more visit <http://www.hpe.com/info/oneview>.

HPE InfoSight for Servers

HPE InfoSight for Servers combines the cloud-based machine learning of InfoSight with the health and performance monitoring of Active Health System (AHS) and iLO to optimize performance and predict and prevent problems. The end result is an intelligent environment that modernizes IT operations and enhances the support experience by predicting and preventing the infrastructure issues that lead to application disruptions, wasted IT staff time and missed business opportunities.

Learn more at <https://www.hpe.com/servers/infosight>

HPE Insight Cluster Management Utility (CMU)

HPE Insight Cluster Management Utility is a HyperScale management framework that includes software for the centralized provisioning, management and monitoring of nodes and infrastructure. Learn more at

<https://www.hpe.com/psnow/doc/c04111735>.

Accelerator and GPGPU Information

Hewlett Packard Enterprise supports various accelerators on select HPE ProLiant servers to support different workloads. The accelerators enable seamless integration of GPU computing with HPE ProLiant servers for high-performance computing, large data center graphics, deep learning and virtual desktop deployments. These accelerators deliver all of the standard benefits of GPU computing while enabling maximum reliability and tight integration with system monitoring and management tools such as HPE Insight Cluster Management Utility.

Rack and Power Infrastructure

The story may end with servers, but it starts with the foundation that makes compute go – and business grow. We've reinvented our entire portfolio of rack and power products to make IT infrastructure more secure, more practical, and more efficient. In other words, we've created a stronger, smarter, and simpler infrastructure to help you get the most out of your IT equipment. As an industry leader, Hewlett Packard Enterprise is uniquely positioned to address the key concerns of power, cooling, cable management and system access.

HPE G2 Advanced and Enterprise Racks are perfect for the server room or today's modern data center with enhanced airflow and thermal management, flexible cable management, and a 10 year Warranty to support higher density computing.

HPE G2 PDUs offer reliable power in flexible form factors that operate at temperatures up to 60°, include color-coded outlets and load segments and a low-profile design for optimal access to the rack and support for dense rack environments.

HPE Uninterruptible Power Systems are cost-effective power protection for any type workload. Some UPSs include options for remote management and extended runtime modules so your critical dense data center is covered in power outages.

HPE KVM Solutions include a console and switches designed to work with your server and IT equipment reliably. We've got a cost-effective KVM switch for your first rack and multiple connection IP switches with remote management and security capabilities to keep your data center rack up and running.

Learn more about HPE Racks, KVM, PDUs and UPSs at [HPE Rack and Power Infrastructure](#).



Optional Features

One Config Simple (SCE)

SCE is a guided self-service tool to help sales and non-technical people provide customers with initial configurations in 3 to 5 minutes. You may then send the configuration on for configuration help, or use in your existing ordering processes. If you require "custom" rack configuration or configuration for products not available in SCE, please contact Hewlett Packard Enterprise Customer Business Center or an Authorized Partner for assistance.

<https://h22174.www2.hpe.com/SimplifiedConfig/Welcome>



Service and Support

HPE Services

No matter where you are in your digital transformation journey, you can count on HPE Services to deliver the expertise you need when, where and how you need it. From planning to deployment, ongoing operations and beyond, our experts can help you realize your digital ambitions.

<https://www.hpe.com/services>

Consulting Services

No matter where you are in your journey to hybrid cloud, experts can help you map out your next steps. From determining what workloads should live where, to handling governance and compliance, to managing costs, our experts can help you optimize your operations.

<https://www.hpe.com/services/consulting>

HPE Managed Services

HPE runs your IT operations, providing services that monitor, operate, and optimize your infrastructure and applications, delivered consistently and globally to give you unified control and let you focus on innovation.

[HPE Managed Services | HPE](#)

Operational services

Optimize your entire IT environment and drive innovation. Manage day-to-day IT operational tasks while freeing up valuable time and resources. Meet service-level targets and business objectives with features designed to drive better business outcomes.

<https://www.hpe.com/services/operational>

HPE Complete Care Service

HPE Complete Care Service is a modular, edge-to-cloud IT environment service designed to help optimize your entire IT environment and achieve agreed upon IT outcomes and business goals through a personalized experience. All delivered by an assigned team of HPE Services experts. HPE Complete Care Service provides:

- A complete coverage approach -- edge to cloud
- An assigned HPE team
- Modular and fully personalized engagement
- Enhanced Incident Management experience with priority access
- Digitally enabled and AI driven customer experience

<https://www.hpe.com/services/complecare>

HPE Tech Care Service

HPE Tech Care Service is the operational support service experience for HPE products. The service goes beyond traditional support by providing access to product specific experts, an AI driven digital experience, and general technical guidance to not only reduce risk but constantly search for ways to do things better. HPE Tech Care Service delivers a customer-centric, AI driven, and digitally enabled customer experience to move your business forward. HPE Tech Care Service is available in three response levels. Basic, which provides 9x5 business hour availability and a 2-hour response time. Essential which provides a 15-minute response time 24x7 for most enterprise level customers, and Critical which includes a 6-hour repair commitment where available and outage management response for severity 1 incidents.

<https://www.hpe.com/services/techcare>



Service and Support

HPE Lifecycle Services

HPE Lifecycle Services provide a variety of options to help maintain your HPE systems and solutions at all stages of the product lifecycle. A few popular examples include:

- Lifecycle Install and Startup Services: Various levels for physical installation and power on, remote access setup, installation and startup, and enhanced installation services with the operating system.
- HPE Firmware Update Analysis Service: Recommendations for firmware revision levels for selected HPE products, taking into account the relevant revision dependencies within your IT environment.
- HPE Firmware Update Implementation Service: Implementation of firmware updates for selected HPE server, storage, and solution products, taking into account the relevant revision dependencies within your IT environment.
- Implementation assistance services: Highly trained technical service specialists to assist you with a variety of activities, ranging from design, implementation, and platform deployment to consolidation, migration, project management, and onsite technical forums.
- HPE Service Credits: Access to prepaid services for flexibility to choose from a variety of specialized service activities, including assessments, performance maintenance reviews, firmware management, professional services, and operational best practices.

Notes: To review the list of Lifecycle Services available for your product go to:

<https://www.hpe.com/services/lifecycle>

For a list of the most frequently purchased services using service credits, see the [HPE Service Credits Menu](#)

Other Related Services from HPE Services:

HPE Education Services

Training and certification designed for IT and business professionals across all industries. Broad catalogue of course offerings to expand skills and proficiencies in topics ranging from cloud and cybersecurity to AI and DevOps. Create learning paths to expand proficiency in a specific subject. Schedule training in a way that works best for your business with flexible continuous learning options.

<https://www.hpe.com/services/training>

Defective Media Retention

An option available with HPE Complete Care Service and HPE Tech Care Service and applies only to Disk or eligible SSD/Flash Drives replaced by HPE due to malfunction.

Consult your HPE Sales Representative or Authorized Channel Partner of choice for any additional questions and services options.

Parts and Materials

HPE will provide HPE-supported replacement parts and materials necessary to maintain the covered hardware product in operating condition, including parts and materials for available and recommended engineering improvements.

Parts and components that have reached their maximum supported lifetime and/or the maximum usage limitations as set forth in the manufacturer's operating manual, product quick-specs, or the technical product data sheet will not be provided, repaired, or replaced as part of these services.

How to Purchase Services

Services are sold by Hewlett Packard Enterprise and Hewlett Packard Enterprise Authorized Service Partners:

- Services for customers purchasing from HPE or an enterprise reseller are quoted using HPE order configuration tools.
- Customers purchasing from a commercial reseller can find services at <https://ssc.hpe.com/portal/site/ssc/>



Service and Support

AI Powered and Digitally Enabled Support Experience

Achieve faster time to resolution with access to product-specific resources and expertise through a digital and data driven customer experience

Sign into the HPE Support Center experience, featuring streamlined self-serve case creation and management capabilities with inline knowledge recommendations. You will also find personalized task alerts and powerful troubleshooting support through an intelligent virtual agent with seamless transition when needed to a live support agent.

<https://support.hpe.com/hpesc/public/home/signin>

Consume IT On Your Terms

HPE GreenLake edge-to-cloud platform brings the cloud experience directly to your apps and data wherever they are—the edge, colocations, or your data center. It delivers cloud services for on-premises IT infrastructure specifically tailored to your most demanding workloads. With a pay-per-use, scalable, point-and-click self-service experience that is managed for you, HPE GreenLake edge-to-cloud platform accelerates digital transformation in a distributed, edge-to-cloud world.

- Get faster time to market
- Save on TCO, align costs to business
- Scale quickly, meet unpredictable demand
- Simplify IT operations across your data centers and clouds

To learn more about HPE Services, please contact your Hewlett Packard Enterprise sales representative or Hewlett Packard Enterprise Authorized Channel Partner. Contact information for a representative in your area can be found at "Contact HPE"

<https://www.hpe.com/us/en/contact-hpe.html>

For more information

<http://www.hpe.com/services>



Pre-configured Models

Pre-Configured models ship with the configurations below.

- Pre-Configured models ship with the configurations below. Options can be selected from the Core or Additional options section of this QuickSpecs.
- Hewlett Packard Enterprise does not allow factory integration of options into pre-configured models. Any additional options purchased will not be shipped inside the server.
- Network Choice models do not include embedded LOM.

Base Models			
SKU Number	P53564-001 P53564-291 P53564-371 P53564-AA1	P53565-421	P53566-001 P53566-291 P53566-371 P53566-AA1
Model Name	HPE ProLiant ML350 Gen11 4410Y 2.0GHz 12-core 1P 32GB-R VROC 4LFF 800W RPS Server	HPE ProLiant ML350 Gen11 4410Y 2.0GHz 12-core 1P 32GB-R VROC 4LFF 1000W RPS Server	HPE ProLiant ML350 Gen11 4410Y 2.0GHz 12-core 1P 32GB-R MR408i-o 8SFF 800W RPS Server
Chassis	HPE ProLiant ML350 Gen11 LFF Configure-to-order Server	HPE ProLiant ML350 Gen11 LFF Configure-to-order Server	HPE ProLiant ML350 Gen11 SFF Configure-to-order Server
Backplane	4 LFF	4 LFF	8 SFF
Processor	4410Y (12 core, 2.0 GHz, 150W)		
Number of Processors	One with standard heatsink		
Memory	32 GB (1x32 GB , 4800 MT/s) Notes: Runs at 4000 MT/s due to processor limitation.		
Network Controller	Broadcom BCM5719 Ethernet 1Gb 4-port BASE-T OCP3 Adapter for HPE Notes: Slot 15 OCP will be occupied along with CPU 1 MCIO port 1.		
Storage Controller	Embedded Intel VROC SATA controller Notes: Embedded controller can only support SATA drive, additional storage controller is required to support SAS drive.	Embedded Intel VROC SATA controller Notes: Embedded controller can only support SATA drive, additional storage controller is required to support SAS drive.	HPE MR408i-o Gen11 x8 Lanes 4GB Cache OCP SPDM Storage Controller Notes: – Slot 14 OCP will be occupied, PCIe expansion slot is not required. – This controller supports up to 8 SAS/SATA/NVMe Drives with performance RAID. – Smart Storage battery included.
Included Hard Drives	None ship standard, 4 LFF supported	None ship standard, 4 LFF supported	None ship standard, 8 SFF supported
Internal Storage	Default with 4LFF SAS/SATA Drive Cage Kit (P47216- B21), up to two additional drive cages. Notes: Controller/cable kit may require for additional drive cage.	Default with 4LFF SAS/SATA Drive Cage Kit (P47216- B21), up to two additional drive cages. Notes: Controller/cable kit may require for additional drive cage.	Default with 8 SFF SAS/SATA/NVMe x1 U.3 Drive Cage Kit (P47217- B21), up to two additional drive cages. Notes: Controller/cable kit is required for additional drive cage.
Optical Drive	Optional. None ship standard. Notes: Optical Disk Drive Cable Kit (P56608-B21) is required.		



Pre-configured Models

Expansion Slots	Default with 4 x8 PCIe 5.0 slots with primary riser cage. Upgradable with additional riser kit. Notes: Dual processors are required to support expansion card on PCIe slots 5-10.		
Power Supply	1x HPE 800W Flex Slot Platinum Hot Plug Low Halogen Power Supply Kit Notes: Additional Power Supply Kit (P38995-B21) provides 1+1 power redundancy feature.	1x HPE 1000W Flex Slot Titanium Hot Plug Power Supply Kit Notes: Additional Power Supply Kit (P03178-B21) provides 1+1 power redundancy feature.	1x HPE 800W Flex Slot Platinum Hot Plug Low Halogen Power Supply Kit Notes: Additional Power Supply Kit (P38995-B21) provides 1+1 power redundancy feature.
Fans	Default with 3 standard fans, none-hot-plug. Optional Second CPU Fan Kit (P47902-B21) and Redundant Fan Kit (P47219-B21) provide advanced cooling and redundancy functionality in heavier configurations. Notes: Configurations that require fan kits are provided in later sections		
Management	HPE iLO Standard with Intelligent Provisioning (embedded), HPE OneView Standard (requires download); HPE iLO Advanced and HPE OneView Advanced (require licenses)		
Security	P53564-001, P53564-291 & P53564-371: TPM (Trusted Platform Module)	TPM (Trusted Platform Module)	P53566-001, P53566-291 & P53566-371: TPM (Trusted Platform Module)
	P53564-AA1: TPM disabled for shipments to China		P53566-AA1: TPM disabled for shipments to China
Form Factor	4U Tower, Optional Tower-to-Rack conversion kit (P47394-B21) to convert the unit to a 5U Rack-mount server.		
Warranty	Server warranty includes 3-year parts, 3-year labor, 3-year onsite support with next business day response.		



Pre-configured Models

Base Models			
SKU Number	P53567-421	P60049-001	P70195-291 P70195-421
Model Name	HPE ProLiant ML350 Gen11 4410Y 2.0GHz 12-core 1P 32GB-R MR408i-o 8SFF 1000W RPS Server	HPE ProLiant ML350 Gen11 4410Y 2.0GHz 12-core 1P 32GB-R MR408i-o 8SFF 800W RPS Server	P70195-291: HPE ProLiant ML350 Gen11 4509Y 2.6GHz 8-core 1P 32GB-R MR408i- o NC BCM5719 8SFF 800W RPS JP Server P70195-421: HPE ProLiant ML350 Gen11 4509Y 8-core 1P 32GB-R MR408i-o NC BCM5719 8SFF 1000W RPS EMEA Server
Chassis	HPE ProLiant ML350 Gen11 SFF Configure-to-order Server		
Backplane	8 SFF		
Processor	4410Y (12 core, 2.0 GHz, 150W)	4410Y (12 core, 2.0 GHz, 150W)	4509Y (8 core, 2.6 GHz, 125W)
Number of Processors	One with standard heatsink		
Memory	32 GB (1x32 GB , 4800 MT/s) Notes: Runs at 4000 MT/s due to processor limitation.	32 GB (1x32 GB , 4800 MT/s) Notes: Runs at 4000 MT/s due to processor limitation.	32 GB (1x32 GB , 5600 MT/s) Notes: Runs at 4400 MT/s due to processor limitation.
Network Controller	Broadcom BCM5719 Ethernet 1Gb 4-port BASE-T OCP3 Adapter for HPE Notes: Slot 15 OCP will be occupied along with CPU 1 MCI/O port 1.		
Storage Controller	HPE MR408i-o Gen11 x8 Lanes 4GB Cache OCP SPDM Storage Controller Notes: – Slot 14 OCP will be occupied, PCIe expansion slot is not required. – This controller supports up to 8 SAS/SATA/NVMe Drives with performance RAID. – Smart Storage battery included.		
Included Hard Drives	None ship standard, 8 SFF supported		
Internal Storage	Default with 8 SFF SAS/SATA/NVMe x1 U.3 Drive Cage Kit (P47217-B21), up to two additional drive cages. Notes: Controller/cable kit is required for additional drive cage.		
Optical Drive	Optional. None ship standard. Notes: Optical Disk Drive Cable Kit (P56608-B21) is required.		
Expansion Slots	Default with 4 x8 PCIe 5.0 slots with primary riser cage. Upgradable with additional riser kit. Notes: Dual processors are required to support expansion card on PCIe slots 5-10.		
Power Supply	1x HPE 1000W Flex Slot Titanium Hot Plug Power Supply Kit Notes: Additional Power Supply Kit (P03178-B21) provides 1+1 power redundancy feature.	1x HPE 800W Flex Slot Platinum Hot Plug Low Halogen Power Supply Kit Notes: Additional Power Supply Kit (P38995-B21) provides 1+1 power redundancy feature.	P70195-291: 1x HPE 800W Flex Slot Platinum Hot Plug Low Halogen Power Supply Kit P70195-421: 1x HPE 1000W Flex Slot Titanium Hot Plug Power Supply Kit

Pre-configured Models

Fans	Default with 3 standard fans, none-hot-plug. Optional Second CPU Fan Kit (P47902-B21) and Redundant Fan Kit (P47219-B21) provide advanced cooling and redundancy functionality in heavier configurations. Notes: Configurations that require fan kits are provided in later sections
Management	HPE iLO Standard with Intelligent Provisioning (embedded), HPE OneView Standard (requires download); HPE iLO Advanced and HPE OneView Advanced (require licenses)
Security	TPM (Trusted Platform Module)
Form Factor	4U Tower, Optional Tower-to-Rack conversion kit (P47394-B21) to convert the unit to a 5U Rack-mount server.
Warranty	Server warranty includes 3-year parts, 3-year labor, 3-year onsite support with next business day response.



Pre-configured Models

Performance Models			
SKU Number	P53568-001 P53568-291 P53568-371 P53568-AA1	P53569-421	P55953-001 P55953-291 P55953-371
Model Name	HPE ProLiant ML350 Gen11 4416+ 2.0GHz 20-core 1P 32GB-R MR408i-o 8SFF 800W RPS Server	HPE ProLiant ML350 Gen11 4416+ 2.0GHz 20-core 1P 32GB-R MR408i-o 8SFF 1000W RPS Server	HPE ProLiant ML350 Gen11 5416S 2.0GHz 16-core 1P 32GB-R MR408i-o 8SFF 800W RPS Server
Chassis	HPE ProLiant ML350 Gen11 SFF Configure-to-order Server		
Backplane	8 SFF		
Processor	4416+ (20 core, 2.0 GHz, 165W)	4416+ (20 core, 2.0 GHz, 165W)	5416S (16 core, 2.0 GHz, 150W)
Number of Processors	One with standard heatsink		
Memory	32 GB (1x32 GB , 4800 MT/s) Notes: Runs at 4000 MT/s due to processor limitation.	32 GB (1x32 GB , 4800 MT/s) Notes: Runs at 4000 MT/s due to processor limitation.	32 GB (1x32 GB , 4800 MT/s) Notes: Runs at 4400 MT/s due to processor limitation.
Network Controller	Broadcom BCM5719 Ethernet 1Gb 4-port BASE-T OCP3 Adapter for HPE Notes: Slot 15 OCP will be occupied along with CPU 1 MCIO port 1.		
Storage Controller	HPE MR408i-o Gen11 x8 Lanes 4GB Cache OCP SPDM Storage Controller Notes: – Slot 14 OCP will be occupied, PCIe expansion slot is not required. – This controller supports up to 8 SAS/SATA/NVMe Drives with performance RAID. – Smart Storage battery included.		
Included Hard Drives	None ship standard, 8 SFF supported		
Internal Storage	Default with 8 SFF SAS/SATA/NVMe x1 U.3 Drive Cage Kit (P47217-B21), up to two additional drive cages. Notes: Controller/cable kit is required for additional drive cage.		
Optical Drive	Optional. None ship standard. Notes: Optical Disk Drive Cable Kit (P56608-B21) is required.		
Expansion Slots	Default with 4 x8 PCIe 5.0 slots with primary riser cage. Upgradable with additional riser kit. Notes: Dual processors are required to support expansion card on PCIe slots 5-10.		
Power Supply	1x HPE 800W Flex Slot Platinum Hot Plug Low Halogen Power Supply Kit Notes: Additional Power Supply Kit (P38995-B21) provides 1+1 power redundancy feature.	1x HPE 1000W Flex Slot Titanium Hot Plug Power Supply Kit Notes: Additional Power Supply Kit (P03178-B21) provides 1+1 power redundancy feature.	1x HPE 800W Flex Slot Platinum Hot Plug Low Halogen Power Supply Kit Notes: Additional Power Supply Kit (P38995-B21) provides 1+1 power redundancy feature.
Fans	Default with 8 fans with redundancy functionality to provide advanced cooling in heavier configurations. Notes: Configurations that require fan kits are provided in later sections		
Management	HPE iLO Standard with Intelligent Provisioning (embedded), HPE OneView Standard (requires download); HPE iLO Advanced and HPE OneView Advanced (require licenses)		

Pre-configured Models

Security	P53568-001, P53568-291 & P53568-371: TPM (Trusted Platform Module)	TPM (Trusted Platform Module)	TPM (Trusted Platform Module)
	P53568-AA1: TPM disabled for shipments to China		
Form Factor	4U Tower, Optional Tower-to-Rack conversion kit (P47394-B21) to convert the unit to a 5U Rack-mount server.		
Warranty	Server warranty includes 3-year parts, 3-year labor, 3-year onsite support with next business day response.		



Pre-configured Models

Performance Models		
SKU Number	P55954-421	P70196-421
Model Name	HPE ProLiant ML350 Gen11 5416S 2.0GHz 16-core 1P 32GB-R MR408i-o 8SFF 1000W RPS Server	HPE ProLiant ML350 Gen11 4514Y 16-core 1P 32GB-R MR408i-o NC BCM5719 8SFF 1000W RPS EMEA Server
Chassis	HPE ProLiant ML350 Gen11 SFF Configure-to-order Server	
Backplane	8 SFF	
Processor	5416S (16 core, 2.0 GHz, 150W)	4514Y (16 core, 2.0 GHz, 150W)
Number of Processors	One with standard heatsink	
Memory	32 GB (1x32 GB , 4800 MT/s) Notes: Runs at 4400 MT/s due to processor limitation.	32 GB (1x32 GB , 5600 MT/s) Notes: Runs at 4400 MT/s due to processor limitation.
Network Controller	Broadcom BCM5719 Ethernet 1Gb 4-port BASE-T OCP3 Adapter for HPE Notes: Slot 15 OCP will be occupied along with CPU 1 MCIO port 1.	
Storage Controller	HPE MR408i-o Gen11 x8 Lanes 4GB Cache OCP SPDM Storage Controller Notes: – Slot 14 OCP will be occupied, PCIe expansion slot is not required. – This controller supports up to 8 SAS/SATA/NVMe Drives with performance RAID. – Smart Storage battery included.	
Included Hard Drives	None ship standard, 8 SFF supported	
Internal Storage	Default with 8 SFF SAS/SATA/NVMe x1 U.3 Drive Cage Kit (P47217-B21), up to two additional drive cages. Notes: Controller/cable kit is required for additional drive cage.	
Optical Drive	Optional. None ship standard. Notes: Optical Disk Drive Cable Kit (P56608-B21) is required.	
Expansion Slots	Default with 4 x8 PCIe 5.0 slots with primary riser cage. Upgradable with additional riser kit. Notes: Dual processors are required to support expansion card on PCIe slots 5-10.	
Power Supply	1x HPE 1000W Flex Slot Titanium Hot Plug Power Supply Kit Notes: Additional Power Supply Kit (P03178-B21) provides 1+1 power redundancy feature.	1x HPE 1000W Flex Slot Titanium Hot Plug Power Supply Kit
Fans	Default with 8 fans with redundancy functionality to provide advanced cooling in heavier configurations. Notes: Configurations that require fan kits are provided in later sections	
Management	HPE iLO Standard with Intelligent Provisioning (embedded), HPE OneView Standard (requires download); HPE iLO Advanced and HPE OneView Advanced (require licenses)	
Security	TPM (Trusted Platform Module)	
Form Factor	4U Tower, Optional Tower-to-Rack conversion kit (P47394-B21) to convert the unit to a 5U Rack-mount server.	
Warranty	Server warranty includes 3-year parts, 3-year labor, 3-year onsite support with next business day response.	

Pre-configured Models

High Performance Models		
SKU Number	P53570-001 P53570-291 P53570-371	P53571-421
Model Name	HPE ProLiant ML350 Gen11 5418Y 2.0GHz 24-core 1P 32GB-R MR408i-o 8SFF 800W RPS Server	HPE ProLiant ML350 Gen11 5418Y 2.0GHz 24-core 1P 32GB-R MR408i-o 8SFF 1000W RPS Server
Chassis	HPE ProLiant ML350 Gen11 SFF Configure-to-order Server	
Backplane	8 SFF	
Processor	5418Y (24 core, 2.0 GHz, 185W)	
Number of Processors	One with standard heatsink	
Memory	32 GB (1x32 GB, 4800 MT/s) Notes: Runs at 4400 MT/s due to processor limitation.	
Network Controller	Broadcom BCM5719 Ethernet 1Gb 4-port BASE-T OCP3 Adapter for HPE Notes: Slot 15 OCP will be occupied along with CPU 1 MCIO port 1.	
Storage Controller	HPE MR408i-o Gen11 x8 Lanes 4GB Cache OCP SPDM Storage Controller Notes: – Slot 14 OCP will be occupied, PCIe expansion slot is not required. – This controller supports up to 8 SAS/SATA/NVMe Drives with performance RAID. – Smart Storage battery included.	
Included Hard Drives	None ship standard, 8 SFF supported	
Internal Storage	Default with 8 SFF SAS/SATA/NVMe x1 U.3 Drive Cage Kit (P47217-B21), up to two additional drive cages. Notes: Controller/cable kit is required for additional drive cage.	
Optical Drive	Optional. None ship standard. Notes: Optical Disk Drive Cable Kit (P56608-B21) is required.	
Expansion Slots	Default with 4 x8 PCIe 5.0 slots with primary riser cage. Upgradable with additional riser kit. Notes: Dual processors are required to support expansion card on PCIe slots 5-10.	
Power Supply	1x HPE 800W Flex Slot Platinum Hot Plug Low Halogen Power Supply Kit Notes: Additional Power Supply Kit (P38995-B21) provides 1+1 power redundancy feature.	1x HPE 1000W Flex Slot Titanium Hot Plug Power Supply Kit Notes: Additional Power Supply Kit (P03178-B21) provides 1+1 power redundancy feature.
Fans	Default with 8 fans with redundancy functionality to provide advanced cooling in heavier configurations. Notes: Configurations that require fan kits are provided in later sections	
Management	HPE iLO Standard with Intelligent Provisioning (embedded), HPE OneView Standard (requires download); HPE iLO Advanced and HPE OneView Advanced (require licenses)	
Security	TPM (Trusted Platform Module)	
Form Factor	4U Tower, Optional Tower-to-Rack conversion kit (P47394-B21) to convert the unit to a 5U Rack-mount server.	
Warranty	Server warranty includes 3-year parts, 3-year labor, 3-year onsite support with next business day response.	

Pre-configured Models

Smart Choice Models			
SKU Number	P69310-005	P69313-005	P71671-425
Model Name	HPE ProLiant ML350 Gen11 4410Y 12-core 1P 64GB-R MR408i-o 8SFF 2x480GB SSD 2x800W RPS AMS Server	HPE ProLiant ML350 Gen11 5416S 16-core 1P 64GB-R MR408i-o 8SFF 2x480GB SSD 2x800W RPS AMS Server	HPE ProLiant ML350 Gen11 4510 12-core 64GB-R MR408i-o 8SFF 2x960GB SSD 2x1000W RPS EU Server
Chassis	HPE ProLiant ML350 Gen11 SFF Configure-to-order Server		
Backplane	8 SFF		
Processor	4410Y (12 core, 2.0 GHz, 150W)	5416S (16 core, 2.0 GHz, 150W)	4510 (12 core, 2.4 GHz, 150W)
Number of Processors	One with standard heatsink		
Memory	64 GB (2x32 GB , 4800 MT/s) Notes: Runs at 4000 MT/s due to processor limitation.	64 GB (2x32 GB , 4800 MT/s) Notes: Runs at 4400 MT/s due to processor limitation.	64 GB (2x32 GB , 5600 MT/s) Notes: Runs at 4400 MT/s due to processor limitation.
Network Controller	Broadcom BCM5719 Ethernet 1Gb 4-port BASE-T OCP3 Adapter for HPE Notes: Slot 15 OCP will be occupied along with CPU 1 MCIO port 1.		
Storage Controller	HPE MR408i-o Gen11 x8 Lanes 4GB Cache OCP SPDM Storage Controller Notes: – Slot 14 OCP will be occupied, PCIe expansion slot is not required. – This controller supports up to 8 SAS/SATA/NVMe Drives with performance RAID. – Smart Storage battery included.		
Included Hard Drives	2x 480GB SATA SSD	2x 480GB SATA SSD	2x 960GB SATA SSD
Internal Storage	Default with 8 SFF SAS/SATA/NVMe x1 U.3 Drive Cage Kit (P47217-B21), up to two additional drive cages. Notes: Controller/cable kit is required for additional drive cage.		
Optical Drive	Optional. None ship standard. Notes: Optical Disk Drive Cable Kit (P56608-B21) is required.		
Expansion Slots	Default with 4 x8 PCIe 5.0 slots with primary riser cage. Upgradable with additional riser kit. Notes: Dual processors are required to support expansion card on PCIe slots 5-10.		
Power Supply	2x HPE 800W Flex Slot Platinum Hot Plug Low Halogen Power Supply Kit	2x HPE 800W Flex Slot Platinum Hot Plug Low Halogen Power Supply Kit	2x HPE 1000W Flex Slot Titanium Hot Plug Power Supply Kit
Fans	Default with 3 standard fans, none-hot-plug. Optional Second CPU Fan Kit (P47902-B21) and Redundant Fan Kit (P47219-B21) provide advanced cooling and redundancy functionality in heavier configurations. Notes: Configurations that require fan kits are provided in later sections	Default with 8 fans with redundancy functionality to provide advanced cooling in heavier configurations. Notes: Configurations that require fan kits are provided in later sections	Default with 3 standard fans, none-hot-plug. Optional Second CPU Fan Kit (P47902-B21) and Redundant Fan Kit (P47219-B21) provide advanced cooling and redundancy functionality in heavier configurations. Notes: Configurations that require fan kits are provided in later sections
Management	HPE iLO Standard with Intelligent Provisioning (embedded), HPE OneView Standard (requires download); HPE iLO Advanced and HPE OneView Advanced (require licenses)		
Security	TPM (Trusted Platform Module)		

Pre-configured Models

Form Factor	4U Tower, Optional Tower-to-Rack conversion kit (P47394-B21) to convert the unit to a 5U Rack-mount server.
Warranty	Server warranty includes 3-year parts, 3-year labor, 3-year onsite support with next business day response.



Pre-configured Models

Smart Choice Models		
SKU Number	P71672-035	P71688-005
Model Name	HPE ProLiant ML350 Gen11 4510 12-core 64GB-R MR408i-o 8SFF 2x960GB SSD 2x1000W RPS UK/IE Server	HPE ProLiant ML350 Gen11 4514Y 16-core 64GB-R MR408i-o 8SFF 2x480GB SSD 2x800W RPS AMS Server
Chassis	HPE ProLiant ML350 Gen11 SFF Configure-to-order Server	
Backplane	8 SFF	
Processor	4510 (12 core, 2.4 GHz, 150W)	4514Y (16 core, 2.0 GHz, 150W)
Number of Processors	One with standard heatsink	
Memory	64 GB (2x32 GB , 5600 MT/s) Notes: Runs at 4400 MT/s due to processor limitation.	
Network Controller	Broadcom BCM5719 Ethernet 1Gb 4-port BASE-T OCP3 Adapter for HPE Notes: Slot 15 OCP will be occupied along with CPU 1 MCIO port 1.	
Storage Controller	HPE MR408i-o Gen11 x8 Lanes 4GB Cache OCP SPDM Storage Controller Notes: – Slot 14 OCP will be occupied, PCIe expansion slot is not required. – This controller supports up to 8 SAS/SATA/NVMe Drives with performance RAID. – Smart Storage battery included.	
Included Hard Drives	2x 960GB SATA SSD	2x 480GB SATA SSD
Internal Storage	Default with 8 SFF SAS/SATA/NVMe x1 U.3 Drive Cage Kit (P47217-B21), up to two additional drive cages. Notes: Controller/cable kit is required for additional drive cage.	
Optical Drive	Optional. None ship standard. Notes: Optical Disk Drive Cable Kit (P56608-B21) is required.	
Expansion Slots	Default with 4 x8 PCIe 5.0 slots with primary riser cage. Upgradable with additional riser kit. Notes: Dual processors are required to support expansion card on PCIe slots 5-10.	
Power Supply	2x HPE 1000W Flex Slot Titanium Hot Plug Power Supply Kit	2x HPE 800W Flex Slot Platinum Hot Plug Low Halogen Power Supply Kit
Fans	Default with 3 standard fans, none-hot-plug. Optional Second CPU Fan Kit (P47902-B21) and Redundant Fan Kit (P47219-B21) provide advanced cooling and redundancy functionality in heavier configurations. Notes: Configurations that require fan kits are provided in later sections	Default with 8 fans with redundancy functionality to provide advanced cooling in heavier configurations. Notes: Configurations that require fan kits are provided in later sections
Management	HPE iLO Standard with Intelligent Provisioning (embedded), HPE OneView Standard (requires download); HPE iLO Advanced and HPE OneView Advanced (require licenses)	
Security	TPM (Trusted Platform Module)	
Form Factor	4U Tower, Optional Tower-to-Rack conversion kit (P47394-B21) to convert the unit to a 5U Rack-mount server.	
Warranty	Server warranty includes 3-year parts, 3-year labor, 3-year onsite support with next business day response.	

Pre-configured Models

Country Code Key

- -001 = North America
- -005 = HPE Smart Choice for US and Canada
- -035 = HPE Smart Choice for United Kingdom
- -291 = Japan
- -371 = Asia Pacific
- -421 = Europe, the Middle East and Africa
- -425 = HPE Smart Choice for DACH (Germany, Switzerland, Austria), France, UKI (Great Britain, Ireland, Scotland, Wales)
- -AA1 = China

HPE Smart Choice purchase program

- HPE Smart Choice purchase program is designed to make it easier to do business with HPE by offering fully configured solutions.
- Order popular configs in a single SKU.
- Get immediate purchase price in minutes.
- Get fast, predictable shipping.

Notes: [European Union Erp Lot 9 2024 Regulation](#)

Beginning on January 1st, 2024, units sold into the European Union (EU), European Economic Area (EEA), the United Kingdom, or Switzerland must include more efficient AC power supplies: 94% for multi-output and 96% for single-output. HPE Flexible Slot power supplies are single-output, and part numbers 865438-B21, P03178-B21, and P44712-B21 are 96% efficient, thus meeting requirements. HPE is on target to fulfil compliant systems ahead of time and will begin enforcing these requirements in advance to satisfy requests with the current power supplies by the set deadline.



Configuration Information

Smart Templates from HPE

HPE is releasing new Smart Template technology in the One Config Advanced (OCA) configurator. These Templates represent the CTO equivalents of the top-selling BTO configurations. They are intended to provide simple starting points to assist you in easily creating and customizing your desired Server solutions. HPE Servers that have Platform Templates, developed by HPE Product Managers, will have a separate tab in the HPE OCA configurator.

Workload Solutions Templates from HPE

The Workload Solutions Templates build on the Smart Templates technology to easily develop working configurations of the most compelling Workload Solutions. The templates complement the Reference Builds developed by HPE. Workload Solutions templates preconfigure some of the key architecture decisions and make it easier for Sellers to get started and complete a differentiated server solution for your customer's specific workload.

Mainstream SKUs

HPE launched the Mainstream SKU initiative as a market-driven approach to Demand Steering. It is a simplified portfolio of our top selling options that meet the current and future market trends. HPE has committed to provide a more predictable and faster experience for these options. Mainstream SKUs enjoy higher safety stock levels and have higher fulfillment service levels than non-Mainstream SKUs. Mainstream orders are fulfilled +30% faster than non-Mainstream orders, have fewer shortages and better recovery dates. This platform has Mainstream SKUs in the options portfolio, and is eligible for the improved Mainstream experience. Mainstream SKUs are designated with a Mainstream symbol in our configurators.

Mainstream Configurations

HPE is using the new Smart Templates technology to present Mainstream configurations. All the options in a Mainstream configuration are pre-selected Mainstream SKUs to optimize the performance, predictability and fulfillment experience. Check the Template section in our configurators for eligible Mainstream configurations.

This section lists some of the steps required to configure a Factory Integrated Model. To ensure only valid configurations are ordered, Hewlett Packard Enterprise recommends the use of an HPE approved configurator. Contact your local sales representative for information on configurable product offerings and requirements.

- Factory Integrated Models must start with a CTO Server.
- FIO indicates that this option is only available as a factory integratable option.
- All Factory Integrated Models will be populated with sufficient hard drive blanks based on the number of initial hard drives ordered with the server.
- Some options may not be integrated at the factory. Contact your local sales representative for additional information.
- Beginning on January 1st, 2024, units sold into the European Union (EU), European Economic Area (EEA), the United Kingdom, or Switzerland must include more efficient AC power supplies: 94% for multi-output and 96% for single-output. HPE Flexible Slot power supplies are single-output, and part numbers 865438-B21, P03178-B21, and P44712-B21 are 96% efficient, thus meeting requirements. HPE is on target to fulfil compliant systems ahead of time and will begin enforcing these requirements in advance to satisfy requests with the current power supplies by the set deadline.
- All CTO servers are Energy Star 3.0 compliant. After January 11, 2024, Energy Star 3.0 compliance is no longer valid. Energy Star 4.0 certification will be valid upon system configuration.



Configuration Information

Step 1: Base Configuration (choose one of the following configurable models)

CTO Server	HPE ML350 Gen11 LFF CTO Server	HPE ML350 Gen11 SFF CTO Server
SKU Number	P48404-B21	P48405-B21
Processor Sockets	2 Sockets available	
Processor	Intel Fourth or Fifth Generation Xeon® Scalable Processors	
DIMM Slots	32 DIMM slots available*	
Storage Controller	Embedded controller with 2 SlimSAS ports, Choice of HPE OCP-type RAID (OROC) and/or PCIe Standup controller card (s)	
PCIe	4 PCIe Gen5 slots (x8, x8, x8, x8) in primary riser as standard Notes: PCIe slots 5 – 10 require the second processor to enable.	
Drive Cage - included	4 LFF SAS/SATA Drive Cage	8 SFF SAS/SATA/x1 NVMe Drive Cage
Additional drive cages	Optional 4LFF SAS/SATA Drive Cage kit and 8SFF SAS/SATA/x1 NVMe Drive Cage kit. Up to 3 drive cages in total.	Optional 8 SFF SAS/SATA/x1 NVMe Drive Cage kit. Up to 3 drive cages in total.
8SFF U.3 x4 NVMe drive cage	Not available	Optional, Up to 1 Notes: Default 8 SFF drive cage will be removed.
12EDSFF x4 NVMe drive cage	Not available	Optional, Up to 1 Notes: Default 8 SFF drive cage will be removed.
Boot option	Optional, HPE NS204i-u Gen11 NVMe Hot Plug Boot Optimized Storage Device (P48183-B21)	
ODD	Optional, Up to 1	
Half-Height RDX	Optional, Up to 1	Not available
Megacell Battery	Optional	
Network Controller	Choice of HPE OCP-type networking adapter and/or PCIe Standup controllers. Default selected with Broadcom BCM5719 Ethernet 1Gb 4-port BASE-T OCP3 Adapter for HPE (P51181-B21)	
Redundant Fan Kit	Optional, 3 fans as standard	
Power Supply	Optional HPE Flex Slot Hot Plug Power Supply Kit. Up to 2 PSU.	
Management	HPE iLO with Intelligent Provisioning (standard), iLO Advances and OneView (optional), HPE GreenLake for Compute Ops Management (subscription included)	
USB	5x 3.2 Gen1/2.0 USB ports, Plus front iLO Service Port	
Tower-to-Rack conversion kit	Optional, Tower to Rack kit is not factory integratable option and only can be shipped with standalone package.	

Notes:

- * 32 DIMM slots require selection of 2 processors.
- Internal RDX can only be selected with LFF chassis and Box1 drive cage space will be occupied.
- 8 SFF x4 NVMe or 12 EDSFF drive cage can only be selected with SFF chassis and default 8SFF drive cage will be removed.
- To get advanced cooling in richer configurations and/or under certain ambient environmental conditions, the additional Fan kits: Redundant Fan Kit (P47219-B21) and Second CPU Fan Kit (P47902-B21) may require.
- Second CPU Fan Kit (P47902-B21) is required when any following options are selected: Second processor, HPE NS204i-u Gen11 Ht Plg Boot Opt Dev(P48183-B21), Tertiary riser kit (P49693-B21).
- Both Redundant Fan Kit (P47219-B21) and Second CPU Fan Kit (P47902-B21) are required with any following conditions: Redundant Fan feature is required, 300W~350W TDP processor, 256GB memory or GPU is selected.
- Mixed LFF and SFF Drive cages can be supported in one system. Please select the LFF CTO Server (P48404-B21) as the base configuration to start with.
- Refer to **HPE Power Advisor Tool** to review the power requirement for your selected configuration and determine what power supply module(s) to select.



Configuration Information

Step 2: Choose Required Options (only one of the following unless otherwise noted)

Please select one or two matching processors.

For example: for a single Xeon-Platinum 8452Y processor configuration select 1x P49616-B21. If dual Xeon-Platinum 8452Y processor configuration, select 2x P49616-B21.

Notes:

- Mixing of 2 different processor models is not supported.
- Field upgrade from 4th generation processors (x4xx) to 5th generation processors (x5xx) is not supported.
- Bronz Processors (3408U and 3508U) are supported up to PCIe Gen4.
- Intel VROC NVMe feature is not supported with 4510, 4509Y and 3508U processors.
- Processor kits don't include heat sink and fans.
- Processors with TDP equal to or greater than 195W require Performance Heatsink (P47224-B21).
- Processors with TDP equal to or greater than 300W require both Redundant Fan Kit (P47219-B21) and Second CPU Fan Kit (P47902-B21).
- DDR5 memory speed is the maximum memory speed supported by the processor. Actual maximum memory speed is a function of the memory type, memory configuration, and processor model.
- CTO server includes 3 fans as standard. Second CPU Fan Kit (P47902-B21) is required for 2 processors configuration as 4th fan.

Step 2a: Choose Processors

Processor Option Kits – Intel Fourth Generation Xeon® Scalable Processors

Notes:

- All SKUs ship with processor only. Adequate fan and heatsink kits (standard or performance) must be selected.
- 4800 MT/S maximum memory speed unless otherwise noted.
- 128GB SGX Enclave unless otherwise noted.
- PCIe Gen5 supported unless otherwise noted.
- Performance Heatsink (P47224-B21) is required unless otherwise noted.

Intel Xeon-Platinum Processors

Intel Xeon-Platinum 8490H 1.9GHz 60-core 350W Processor for HPE P49630-B21

Notes:

- Requires Redundant Fan Kit (P47219-B21) and Second CPU Fan Kit (P47902-B21).
- 512GB SGX Enclave.
- 96GB Dual Rank x4 DDR5-4800 memory supported.

Intel Xeon-Platinum 8480+ 2.0GHz 56-core 350W Processor for HPE P49607-B21

Notes:

- Requires Redundant Fan Kit (P47219-B21) and Second CPU Fan Kit (P47902-B21).
- 512GB SGX Enclave.
- 96GB Dual Rank x4 DDR5-4800 memory supported.

Intel Xeon-Platinum 8470N 1.7GHz 52-core 300W Processor for HPE P49649-B21

Notes:

- Requires Redundant Fan Kit (P47219-B21) and Second CPU Fan Kit (P47902-B21).
- 96GB Dual Rank x4 DDR5-4800 memory supported.

Intel Xeon-Platinum 8470 2.0GHz 52-core 350W Processor for HPE P49606-B21

Notes:

- Requires Redundant Fan Kit (P47219-B21) and Second CPU Fan Kit (P47902-B21).
- 512GB SGX Enclave.
- 96GB Dual Rank x4 DDR5-4800 memory supported.



Configuration Information

Intel Xeon-Platinum 8468 2.1GHz 48-core 350W Processor for HPE P49605-B21

Notes:

- Requires Redundant Fan Kit (P47219-B21) and Second CPU Fan Kit (P47902-B21).
- 512GB SGX Enclave.
- 96GB Dual Rank x4 DDR5-4800 memory supported.

Intel Xeon-Platinum 8468V 2.4GHz 48-core 330W Processor for HPE P49631-B21

Notes:

- Requires Redundant Fan Kit (P47219-B21) and Second CPU Fan Kit (P47902-B21).
- 96GB Dual Rank x4 DDR5-4800 memory supported.

Intel Xeon-Platinum 8458P 2.7GHz 44-core 350W Processor for HPE P49632-B21

Notes:

- Requires Redundant Fan Kit (P47219-B21) and Second CPU Fan Kit (P47902-B21).
- 512GB SGX Enclave.
- 96GB Dual Rank x4 DDR5-4800 memory supported.

Intel Xeon-Platinum 8460Y+ 2.0GHz 40-core 300W Processor for HPE P49604-B21

Notes:

- Requires Redundant Fan Kit (P47219-B21) and Second CPU Fan Kit (P47902-B21).
- 96GB Dual Rank x4 DDR5-4800 memory supported.

Intel Xeon-Platinum 8452Y 2.0GHz 36-core 300W Processor for HPE P49616-B21

Notes:

- Requires Redundant Fan Kit (P47219-B21) and Second CPU Fan Kit (P47902-B21).
- 96GB Dual Rank x4 DDR5-4800 memory supported.

Intel Xeon-Platinum 8444H 2.9GHz 16-core 270W Processor for HPE P49625-B21

Notes:

- 512GB SGX Enclave.
- 96GB Dual Rank x4 DDR5-4800 memory supported.

Intel Xeon-Gold Processors

Intel Xeon-Gold 6448H 2.4GHz 32-core 250W Processor for HPE P49622-B21

Notes: 512GB SGX Enclave.

Intel Xeon-Gold 6454S 2.2GHz 32-core 270W Processor for HPE P49654-B21

Notes: 96GB Dual Rank x4 DDR5-4800 memory supported.

Intel Xeon-Gold 6448Y 2.1GHz 32-core 225W Processor for HPE P49600-B21

Intel Xeon-Gold 6430 2.1GHz 32-core 270W Processor for HPE P49614-B21

Notes:

- 4400 MT/s maximum memory speed.
- 96GB Dual Rank x4 DDR5-4800 memory supported.

Intel Xeon-Gold 6438N 2.0GHz 32-core 205W Processor for HPE P49638-B21

Intel Xeon-Gold 6438Y+ 2.0GHz 32-core 205W Processor for HPE P49615-B21

Intel Xeon-Gold 6414U 2.0GHz 32-core 250W Processor for HPE P49619-B21

Notes:

- Only supported in single socket configuration.
- 96GB Dual Rank x4 DDR5-4800 memory supported.



Configuration Information

Intel Xeon-Gold 6421N 1.8GHz 32-core 185W Processor for HPE	P49641-B21
Notes:	
– Requires Standard Heatsink (P47223-B21).	
– 4400 MT/s maximum memory speed.	
– Only supported in single socket configuration.	
Intel Xeon-Gold 6418H 2.1GHz 24-core 185W Processor for HPE	P49621-B21
Notes:	
– Requires Standard Heatsink (P47223-B21).	
– 512GB SGX Enclave.	
Intel Xeon-Gold 6416H 2.2GHz 18-core 165W Processor for HPE	P49620-B21
Notes:	
– Requires Standard Heatsink (P47223-B21).	
– 512GB SGX Enclave.	
Intel Xeon-Gold 6426Y 2.5GHz 16-core 185W Processor for HPE	P49598-B21
Notes: Requires Standard Heatsink (P47223-B21).	
Intel Xeon-Gold 6434 3.7GHz 8-core 195W Processor for HPE	P49601-B21
Intel Xeon-Gold 5420+ 2.0GHz 28-core 205W Processor for HPE	P49613-B21
Notes: 4000 MT/s maximum memory speed.	
Intel Xeon-Gold 5418N 1.8GHz 24-core 165W Processor for HPE	P49640-B21
Notes:	
– Requires Standard Heatsink (P47223-B21).	
– 4000 MT/s maximum memory speed.	
Intel Xeon-Gold 5418Y 2.0GHz 24-core 185W Processor for HPE	P49612-B21
Notes:	
– Requires Standard Heatsink (P47223-B21).	
– 4400 MT/s maximum memory speed.	
Intel Xeon-Gold 5411N 1.9GHz 24-core 165W Processor for HPE	P49639-B21
Notes:	
– Requires Standard Heatsink (P47223-B21).	
– 4400 MT/s maximum memory speed.	
– Only supported in single socket configuration.	
Intel Xeon-Gold 5416S 2.0GHz 16-core 150W Processor for HPE	P49653-B21
Notes:	
– Requires Standard Heatsink (P47223-B21).	
– 4400 MT/s maximum memory speed.	
Intel Xeon-Gold 5415+ 2.9GHz 8-core 150W Processor for HPE	P49597-B21
Notes:	
– Requires Standard Heatsink (P47223-B21).	
– 4400 MT/s maximum memory speed.	



Configuration Information

Intel Xeon-Silver Processors

Intel Xeon-Silver 4416+ 2.0GHz 20-core 165W Processor for HPE P49611-B21

Notes:

- Requires Standard Heatsink (P47223-B21).
- 4000 MT/s maximum memory speed.
- 64GB SGX Enclave.

Intel Xeon-Silver 4410Y 2.0GHz 12-core 150W Processor for HPE P49610-B21

Notes:

- Requires Standard Heatsink (P47223-B21).
- 4000 MT/s maximum memory speed.
- 64GB SGX Enclave.

Intel Xeon-Bronze Processors

Intel Xeon-Bronze 3408U 1.8GHz 8-core 125W Processor for HPE P49617-B21

Notes:

- Requires Standard Heatsink (P47223-B21).
- 4000 MT/s maximum memory speed.
- 64GB SGX Enclave.
- Only supported in single socket configuration.
- Up to PCIe Gen4 supported.

Processor Option Kits – Intel Fifth Generation Xeon® Scalable Processors

Notes:

- All SKUs ship with processor only. Adequate fan and heatsink kits (standard or performance) must be selected.
- 5600 MT/S maximum memory speed unless otherwise noted.
- 128GB SGX Enclave unless otherwise noted.
- PCIe Gen5 supported unless otherwise noted.
- Performance Heatsink (P47224-B21) is required unless otherwise noted.

Intel Xeon-Platinum Processors

Intel Xeon-Platinum 8592+ 1.9GHz 64-core 350W Processor for HPE P67089-B21

Notes:

- Requires Redundant Fan Kit (P47219-B21) and Second CPU Fan Kit (P47902-B21).
- 512GB SGX Enclave.

Intel Xeon-Platinum 8592V 2.0GHz 64-core 330W Processor for HPE P67107-B21

Notes:

- Requires Redundant Fan Kit (P47219-B21) and Second CPU Fan Kit (P47902-B21).
- 4800 MT/s maximum memory speed.
- 512GB SGX Enclave.

Intel Xeon-Platinum 8580 2.0GHz 60-core 350W Processor for HPE P67088-B21

Notes:

- Requires Redundant Fan Kit (P47219-B21) and Second CPU Fan Kit (P47902-B21).
- 512GB SGX Enclave.

Intel Xeon-Platinum 8581V 2.0GHz 60-core 270W Processor for HPE P67109-B21

Notes:

- 4800 MT/s maximum memory speed.
- 512GB SGX Enclave.



Configuration Information

- Only supported in single socket configuration.

Intel Xeon-Platinum 8570 2.1GHz 56-core 350W Processor for HPE

P67087-B21

Notes:

- Requires Redundant Fan Kit (P47219-B21) and Second CPU Fan Kit (P47902-B21).
- 512GB SGX Enclave.

Intel Xeon-Platinum 8568Y+ 2.3GHz 48-core 350W Processor for HPE

P67086-B21

Notes:

- Requires Redundant Fan Kit (P47219-B21) and Second CPU Fan Kit (P47902-B21).
- 512GB SGX Enclave.

Intel Xeon-Platinum 8558 2.1GHz 48-core 330W Processor for HPE

P67097-B21

Notes:

- Requires Redundant Fan Kit (P47219-B21) and Second CPU Fan Kit (P47902-B21).
- 5200 MT/s maximum memory speed.
- 512GB SGX Enclave.

Intel Xeon-Platinum 8558U 2.0GHz 48-core 300W Processor for HPE

P67102-B21

Notes:

- Requires Redundant Fan Kit (P47219-B21) and Second CPU Fan Kit (P47902-B21).
- 4800 MT/s maximum memory speed.
- 512GB SGX Enclave.
- Only supported in single socket configuration.

Intel Xeon-Platinum 8558P 2.7GHz 48-core 350W Processor for HPE

P67108-B21

Notes:

- Requires Redundant Fan Kit (P47219-B21) and Second CPU Fan Kit (P47902-B21).
- 512GB SGX Enclave.

Intel Xeon-Gold Processors

Intel Xeon-Gold 6554S 2.2GHz 36-core 270W Processor for HPE

P67110-B21

Notes: 5200 MT/s maximum memory speed.

Intel Xeon-Gold 6530 2.1GHz 32-core 270W Processor for HPE

P67095-B21

Notes: 4800 MT/s maximum memory speed.

Intel Xeon-Gold 6548Y+ 2.5GHz 32-core 250W Processor for HPE

P67082-B21

Notes: 5200 MT/s maximum memory speed.

Intel Xeon-Gold 6548N 2.8GHz 32-core 250W Processor for HPE

P67105-B21

Notes: 5200 MT/s maximum memory speed.

Intel Xeon-Gold 6538Y+ 2.2GHz 32-core 225W Processor for HPE

P67096-B21

Notes: 5200 MT/s maximum memory speed.

Intel Xeon-Gold 6538N 2.1GHz 32-core 205W Processor for HPE

P67104-B21

Notes: 5200 MT/s maximum memory speed.

Intel Xeon-Gold 6542Y 2.9GHz 24-core 250W Processor for HPE

P67081-B21

Notes: 5200 MT/s maximum memory speed.



Configuration Information

Intel Xeon-Gold 6526Y 2.8GHz 16-core 195W Processor for HPE	P67080-B21
Notes: 5200 MT/s maximum memory speed.	
Intel Xeon-Gold 6534 3.9GHz 8-core 195W Processor for HPE	P67083-B21
Notes: 4800 MT/s maximum memory speed.	
Intel Xeon-Gold 5520+ 2.2GHz 28-core 205W Processor for HPE	P49613-B21
Notes: 4800 MT/s maximum memory speed.	
Intel Xeon-Gold 5515+ 3.2GHz 8-core 165W Processor for HPE	P67079-B21
Notes:	
– Requires Standard Heatsink (P47223-B21).	
– 4800 MT/s maximum memory speed.	
Intel Xeon-Silver Processors	
Intel Xeon-Silver 4516Y+ 2.2GHz 24-core 185W Processor for HPE	P67093-B21
Notes:	
– Requires Standard Heatsink (P47223-B21).	
– 4400 MT/s maximum memory speed.	
– 64GB SGX Enclave.	
Intel Xeon-Silver 4514Y 2.0GHz 16-core 150W Processor for HPE	P67092-B21
Notes:	
– Requires Standard Heatsink (P47223-B21).	
– 4400 MT/s maximum memory speed.	
– 64GB SGX Enclave.	
Intel Xeon-Silver 4510 2.4GHz 12-core 150W Processor for HPE	P67091-B21
Notes:	
– Requires Standard Heatsink (P47223-B21).	
– 4400 MT/s maximum memory speed.	
– 64GB SGX Enclave.	
– Intel VROC NVMe feature is not supported.	
– 96GB DDR5-5600 DIMM is not supported.	
Intel Xeon-Silver 4509Y 2.6GHz 8-core 125W Processor for HPE	P67090-B21
Notes:	
– Requires Standard Heatsink (P47223-B21).	
– 4400 MT/s maximum memory speed.	
– 64GB SGX Enclave.	
– Intel VROC NVMe feature is not supported.	
– 96GB DDR5-5600 DIMM is not supported.	
Intel Xeon-Bronze Processors	
Intel Xeon-Bronze 3508U 2.1GHz 8-core 125W Processor for HPE	P67100-B21
Notes:	
– Requires Standard Heatsink (P47223-B21).	
– 4400 MT/s maximum memory speed.	
– 64GB SGX Enclave.	
– Only supported in single socket configuration.	
– Up to PCIe Gen4 supported.	
– Intel VROC NVMe feature is not supported.	
– 96GB DDR5-5600 DIMM is not supported.	



Configuration Information

Step 2b: Choose Memory Options

Please select one or more memory from below.

For new Gen11 memory population rule whitepaper and optimal memory performance guidelines, please go to:

<https://www.hpe.com/docs/memory-population-rules>

For Gen11 memory speed table, please go to: <https://www.hpe.com/docs/memory-speed-table>

For memory Reliability, Accessibility, Serviceability (RAS) features whitepaper like Fast Fault Tolerance and legacy mirrored memory feature etc. please go to: <https://www.hpe.com/psnow/doc/a50007802enw>

Notes:

- The maximum memory speed and capacity is a function of the memory type, memory configuration, and processor model.
- Quantity of memory DIMMs selected per socket must be 1, 2, 4, 6, 8, 12 or 16.
- For additional information, please see the [HPE DDR5 Smart Memory QuickSpecs](#).
- For General Server Memory and Persistent Memory Population Rules and Guidelines, see details here: <http://www.hpe.com/docs/memory-population-rules>
- HPE Server Memory compatibility for a specific server platform may vary or be limited within a server platform depending upon the specific configuration being requested. Because each server environment and requirements can vary, memory compatibility is based not only upon the server family, but may also be affected by the amount and type of additional hardware options installed within a specific server configuration. For this reason, some HPE memory DIMMs may be qualified for an HPE server model or family and yet occasionally not be supported with some configurations within that server family.
- The new 5600 DIMMs are for the Fifth generation Intel Xeon® Scalable Processors; while the 4800 DIMMs are for the Fourth generation Intel Xeon® Scalable Processors.
- 256GB memory is limited to 25°C maximum inlet temperature with non- Redundant Fan configuration. 30°C maximum inlet temperature can be supported with Redundant Fan configuration.

Memory – for the Fourth Generation Intel Xeon® Scalable Processors

Description

HPE 16GB (1x16GB) Single Rank x8 DDR5-4800 CAS-40-39-39 EC8 Registered Smart Memory Kit	P43322-B21
HPE 32GB (1x32GB) Dual Rank x8 DDR5-4800 CAS-40-39-39 EC8 Registered Smart Memory Kit	P43328-B21
HPE 64GB (1x64GB) Dual Rank x4 DDR5-4800 CAS-40-39-39 EC8 Registered Smart Memory Kit	P43331-B21
HPE 96GB (1x96GB) Dual Rank x4 DDR5-4800 CAS-46-45-45 EC8 Registered Smart Memory Kit	P66675-B21

Notes:

- Only 8 or 16 DIMMs per CPU configurations are supported. DIMM qty must be 8, 16 or 32 with 96G memory SKU.
- Platinum and selected Gold processors are supported as noted in “Choose Processors” section.
- Mixing different capacity memory DIMMs is NOT supported with this 96G memory SKU.

HPE 128GB (1x128GB) Dual Rank x4 DDR5-4800 CAS-40-39-39 EC8 Registered Smart Memory Kit	P69974-B21
HPE 128GB (1x128GB) Quad Rank x4 DDR5-4800 CAS-46-39-39 EC8 Registered 3DS Smart Memory Kit	P43334-B21
HPE 256GB (1x256GB) Octal Rank x4 DDR5-4800 CAS-46-39-39 EC8 Registered 3DS Smart Memory Kit	P43337-B21

Memory – for the Fifth Generation Intel Xeon® Scalable Processors

Description

HPE 16GB (1x16GB) Single Rank x8 DDR5-5600 CAS-46-45-45 EC8 Registered Smart Memory Kit	P64705-B21
HPE 32GB (1x32GB) Dual Rank x8 DDR5-5600 CAS-46-45-45 EC8 Registered Smart Memory Kit	P64706-B21
HPE 64GB (1x64GB) Dual Rank x4 DDR5-5600 CAS-46-45-45 EC8 Registered Smart Memory Kit	P64707-B21
HPE 96GB (1x96GB) Dual Rank x4 DDR5-5600 CAS-46-45-45 EC8 Registered Smart Memory Kit	P64708-B21

Notes: 96GB DDR5-5600 DIMM is not supported with 4510, 4509Y and 3508U processors.

HPE 128GB (1x128GB) Dual Rank x4 DDR5-5600 CAS-46-45-45 EC8 Registered Smart Memory Kit	P69976-B21
HPE 128GB (1x128GB) Quad Rank x4 DDR5-5600 CAS-52-45-45 EC8 Registered 3DS Smart Memory Kit	P64709-B21
HPE 256GB (1x256GB) Octal Rank x4 DDR5-5600 CAS-52-45-45 EC8 Registered 3DS Smart Memory Kit	P64710-B21



Configuration Information

Step 2c: Choose Power Supplies

Notes:

- Mixing 2 different power supplies is NOT supported.
- Selection of two HPE Flex Slot power supplies provide 1+1 power redundancy.
- To review the power requirements for your selected configuration, please use the [HPE Power Advisor Tool](#).

Power Supplies

HPE 500W Flex Slot Platinum Hot Plug Low Halogen Power Supply Kit 865408-B21

Notes: Support limited to single 125W Processor.

HPE 800W Flex Slot Platinum Hot Plug Low Halogen Power Supply Kit P38995-B21

HPE 1000W Flex Slot Titanium Hot Plug Power Supply Kit P03178-B21

HPE 1600W Flex Slot -48VDC Hot Plug Power Supply Kit P17023-B21

HPE 1600W Flex Slot Platinum Hot Plug Low Halogen Power Supply Kit P38997-B21

Notes: Only supports high line voltage (200 VAC to 240 VAC).

HPE 1800W-2200W Flex Slot Titanium Hot Plug Power Supply Kit P44712-B21

Notes: Only supports high line voltage (200 VAC to 240 VAC).

Step 3: Choose Additional Factory Integratable Options

One of the following from each list may be selected if desired at time of factory integration.

Drive Cage

HPE ProLiant ML350 Gen11 8SFF x1 U.3 Tri-Mode Drive Cage Kit P47217-B21

Notes: Support up to 24 SFF drives configuration (8+8+8).

HPE ProLiant ML350 Gen11 4LFF SAS/SATA Basic Drive Cage Kit P47216-B21

Notes: Support up to 12 LFF drives configuration (4+4+4).

HPE ProLiant ML350 Gen11 8SFF x4 U.3 Tri-Mode FIO Drive Cage Kit P47218-B21

Notes:

- When this drive cage is selected, default 8SFF Tri-Mode Drive Cage will be removed and no other drive cage can be selected.
- This drive cage kit supports two connections modes. Direct Attach and Tri-Mode controller modes.
- Direct Attach mode requires x4 NVMe Direct Attach FIO Cable Kit (P48399-B21).
- Controller mode requires HPE SR932i-p Gen11 Controller (P47184-B21) and x4 Tri-Mode FIO Cable Kit (P47234-B21).
- This drive cage doesn't allow field upgrade.
- Bronz Processors (3408U and 3508U) are supported up to PCIe Gen4.
- Intel VROC NVMe feature is not supported with 4510, 4509Y and 3508U processors.

HPE ProLiant ML350 Gen11 12EDSFF FIO Drive Cage Kit P48401-B21

Notes:

- When this drive cage is selected, default 8SFF Tri-Mode Drive Cage will be removed and no other drive cage can be selected.
- This drive cage kit only supports Direct Attach mode and 12EDSFF x4 Direct Attach FIO Cable Kit (P48400-B21) is required.
- This drive cage kit requires dual processors configuration.
- Redundant Fan Kit (P47219-B21) and Second CPU Fan Kit (P47902-B21) are required.
- External Fan kit is included in this drive cage kit and installed in rear of chassis on external fan connector 10. The primary riser cage will be covered by the fan kit and external connectivity is not allowed.
- Support limited to 25° C maximum inlet temperature and system fans may operate at higher speed and higher acoustic level to maintain optimum system cooling condition while EDSFF is installed.
- This drive cage kit doesn't allow field upgrade.



Configuration Information

- Bronz Processors (3408U and 3508U) are supported up to PCIe Gen4.
- Intel VROC NVMe feature is not supported with 4510, 4509Y and 3508U processors.

Risers

HPE ProLiant ML350 Gen11 2x16 Primary FIO Riser Kit P48406-B21

Notes: When this Riser Kit is selected, default 4x8 Primary Riser will be replaced.

HPE ProLiant ML350 Gen11 4x8 Secondary Riser Kit P48407-B21

Notes: When this Riser Kit is selected, second processor is required.

HPE ProLiant ML350 Gen11 2x16 Secondary Riser Kit P47238-B21

Notes: When this Riser Kit is selected, second processor is required.

HPE ProLiant ML350 Gen11 2x8 Tertiary Riser Kit P49693-B21

Notes: When this Riser Kit is selected, second processor is required to support expansion card installation and 2 MCIO connectors from CPU2 will be used. Without Second processor, the PCIe slots from tertiary riser will not have function and only can be used to provide power source for RDX docking station.

Cooling Options

HPE ProLiant ML350 Gen11 Standard Heat Sink Kit P47223-B21

Notes: Processors with TDP less than 195W require Standard Heat Sink.

HPE ProLiant ML350 Gen11 Performance Heat Sink Kit P47224-B21

Notes: Processors with TDP equal to or greater than 195W require Performance Heat Sink.

HPE ProLiant ML350 Gen11 Second CPU Fan Kit P47902-B21

Notes: When either second processor, NS204i-u or Tertiary Riser selected, this Fan Kit is required.

HPE ProLiant ML350 Gen11 Redundant Fan Kit P47219-B21

Notes:

- Processors with TDP equal to or greater than 300W require this Fan Kit.
- When EDSFF drive cage selected, this fan kit is required.
- When this Fan Kit is selected, the Second CPU Fan Kit (P47902-B21) need be selected together.

HPE ProLiant ML350 Gen11 External GPU Fan Kit P47220-B21

Notes:

- With External GPU fan kit installed, rear side of riser cage will be covered, and no connectivity allowed with Primary/Second riser cage.
- Up to 2 fan kits supported.
- External GPU fan kit provides advanced cooling in heavier configurations and allows system to run with higher inlet temperature.
- This fan kit has already included in 12EDSFF FIO Drive Cage Kit (P48401-B21) with qty.

Step 4: Choose additional options for Factory Integration from Core and Additional Options sections below



Additional Options

Choose additional options for Factory Integration from Core and Additional Options sections below

Some options may not be integrated at the factory. To ensure only valid configurations are ordered, Hewlett Packard Enterprise recommends the use of an HPE approved configurator. Contact your local sales representative for additional information.

Notes: The [User Guide \(UG\)](#) can help to explain the cable routing for each option.

Software as a Service Management

HPE GreenLake for Compute Ops Management

Base SKU

HPE GreenLake for Compute Ops Management Enhanced 3-year Upfront ProLiant SaaS R7A11AAE

Upgrade SKU

HPE GreenLake for Compute Ops Management Enhanced 5-year Upfront ProLiant SaaS R7A12AAE
HPE Compute Cloud Management Server FIO Enablement S1A05A

HPE OneView

HPE OneView including 3yr 24x7 Support Flexible Quantity E-LTU E5Y35AAE

HPE OneView w/o iLO including 3yr 24x7 Support Flexible Quantity E-LTU P8B26AAE

Notes: For customers purchasing HPE GreenLake for Compute Ops Management, without a hardware purchase or a BTO purchase, use this base SKU within ASQ order:

For more information, visit the HPE GreenLake for Compute Ops Management QuickSpecs:

<https://www.hpe.com/psnow/doc/a50004263enw>

Supported Servers – CTO only. No OEM. – Complete list can be found here: Latest Supported Server List:

<https://www.hpe.com/info/com-supported-servers>

HPE Computation and Graphics Accelerators

Notes:

- System memory is recommended to be 2 times larger than the memory with accelerator card.
- Mixing different accelerators is not supported.
- Redundant Fan Kit (P47219-B21) and Second CPU Fan Kit (P47902-B21) are required for all GPU accelerators.
- System fans may operate at higher speed and higher acoustic level to maintain optimum system cooling condition with accelerator card.
- GPU are all required x16 bandwidth unless otherwise noted. Therefore, 2x16 Primary FIO Riser Kit (P48406-B21) or 2x16 Secondary Riser Kit (P47238-B21) is required and each riser kit can support up to 2 GPUs.

NVIDIA L40 48GB PCIe Accelerator for HPE

S0K90C

Notes:

- GPU Power Cable Kit (P47221-B21) is required and able to support up to 1 L40 GPU with each cable kit.
- External GPU Fan Kit (P47220-B21) is recommended to provides advanced cooling and results Display Ports can't be connected and covered by the fan kit.
- Without External GPU Fan Kit installed, maximum inlet temperature is limited to 23° C with limited configuration: Up to 2 GPUs, up to 64GB memory, up to TDP 195W processor(s) and one Drive Cage (8SFF/4LFF) only.
- Refer to following GPU information table for limited support inlet temperature with External GPU Fan Kit and Redundant Fan Kit on various configurations.

HPE ProLiant ML350 Gen11 Double Wide Power Cable Kit for NVIDIA L40 GPU

P47221-B21

Notes:

- This Power Cable Kit (P47221-B21) is required for L40 Accelerator.
- Each Power Cable Kit supports up to one L40 Accelerator.



Additional Options

NVIDIA A16 64GB PCIe Non-CEC Accelerator for HPE

R8T26C

Notes:

- Power Cable Kit (P39102-B21) is required and able to support up to 3 A16 GPUs with each cable kit.
- External GPU Fan Kit (P47220-B21) is required to provides advanced cooling with this GPU.
- Refer to following GPU information table for limited support inlet temperature with External GPU Fan Kit and Redundant Fan Kit on various configurations.

HPE ProLiant DL300 Gen10 Plus GPU 8-pin Keyed Cable Kit

P39102-B21

Notes:

- This Power Cable Kit (P47221-B21) is required for A16 Accelerator.
- Each Power Cable Kit supports up to three A16 Accelerators.

NVIDIA L4 24GB PCIe Accelerator for HPE

S0K89C

- External GPU Fan Kit (P47220-B21) is required to provides advanced cooling with this GPU.
- Refer to following GPU information table for limited support inlet temperature with External GPU Fan Kit and Redundant Fan Kit on various configurations.

Accelerator configuration information

Part Number	Card	TDP	PCIe Speed	Qty Support	ML350 Gen11 Configuration				
					1x 8SFF or 4LFF	2x 8SFF or 4LFF	3x 8SFF or 4LFF	X4 U.3 NVMe	12 EDSFF
S0K90C	NVIDIA L40 48GB PCIe Accelerator for HPE	300W	Gen4 x16	4	27°C/ 30°C*	25°C/ 30°C*	23°C/ 30°C*	25°C/ 30°C*	25°C/ 30°C*
R8T26C	NVIDIA A16 64GB PCIe Non-CEC Accelerator for HPE	250W	Gen4 x16	4	28°C/ 30°C*	25°C/ 30°C*	24°C/ 30°C*	25°C/ 30°C*	25°C/ 30°C*
S0K89C	NVIDIA L4 24GB PCIe Accelerator for HPE	72W	Gen4 x16	4	30°C	30°C	30°C	30°C	30°C

Notes: Accelerator information table indicated the limited support inlet temperature with External GPU Fan Kit and Redundant Fan Kit are selected on various configurations.

* Only with limited configuration: 2 Processors, up to 2 GPUs installed on Secondary Riser Kit with External GPU Fan Kit on slot 9.

HPE Boot Controllers

HPE NS204i-u Gen11 NVMe Hot Plug Boot Optimized Storage Device

P48183-B21

Notes:

- When NS204i-u is selected, Second CPU Fan Kit (P47902-B21) and ML350 Gen11 NS204i-u Enablement Kit (P48403-B21) is required.
- When NS204i-u is selected, up to 8 SATA drives within LFF CTO Server can be supported with embedded controller.
- Support limited to 25°C maximum inlet temperature with 3 SFF/LFF Drive Cages selected without Redundant Fan Kit (P47219-B21).
- System fans may operate at higher speed and higher acoustic level to maintain optimum system cooling condition while NS204i-u is installed.

HPE ProLiant ML350 Gen11 NS204i-u Enablement Kit

P48403-B21

Notes: When NS204i-u is selected, this Enablement Kit is required.

HPE Optical Drives

HPE 9.5mm SATA DVD-ROM Optical Drive

726536-B21

HPE 9.5mm SATA DVD-RW Optical Drive

726537-B21

HPE Mobile USB DVD-RW Optical Drive

701498-B21

HPE ProLiant ML350 Gen11 Optical Disk Drive Cable Kit

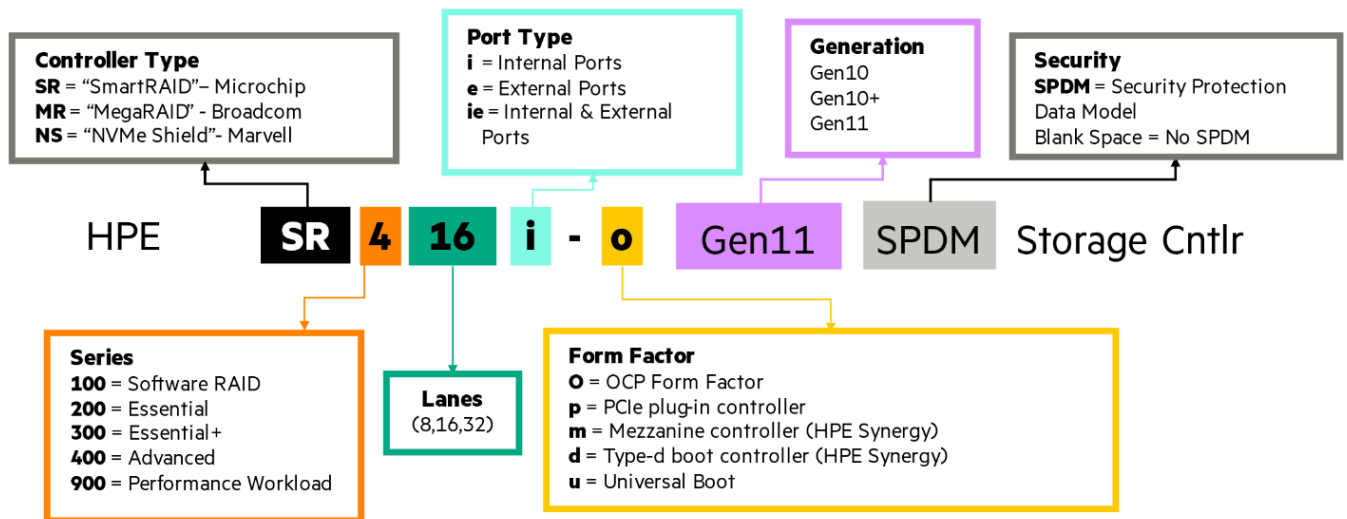
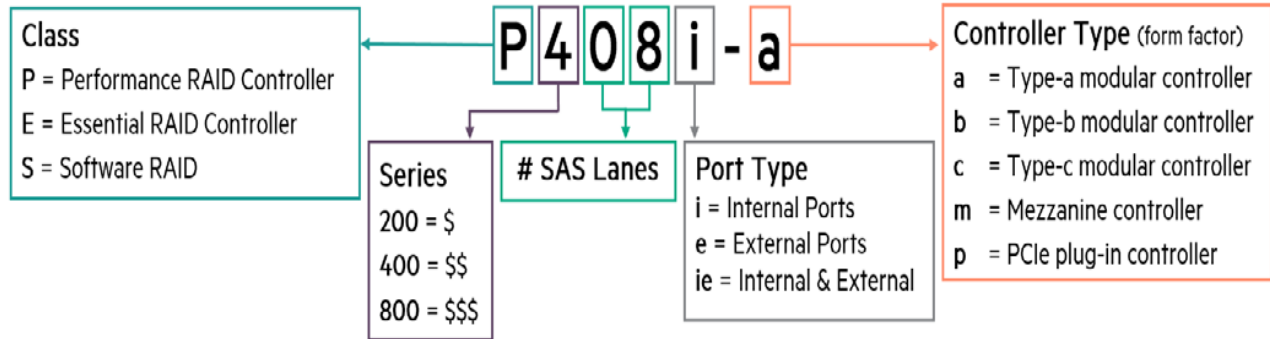
P56608-B21



Additional Options

HPE Storage Controllers

Storage Controllers



Notes:

- When selecting SR RAID controllers for external storage (E208e-p, 804398-B21) and MR RAID controllers for internal storage (MR216i/MR416i/MR408i) in the order, please be aware these two products use different RAID configuration tools.
- Not supporting mixing of MR (MegaRAID) series internal controllers and SR (SmartRAID) series internal Controllers.
- OCP-type RAID (OROC) controller is only supported on Slot 14 OCP 1.
- OCP 1 enablement kit is not required for OROC controllers listed below.
- For more information on the HPE Gen11 Storage Controller, please refer to:
[HPE Compute MR Gen11 Controllers Quick Spec](#)
[HPE Compute SR Gen11 Controllers Quick Spec](#)



Additional Options

Essential RAID Controllers

HPE Smart Array E208e-p SR Gen10 (8 External Lanes/No Cache) 12G SAS PCIe Plug-in Controller 804398-B21

Notes: This controller supports up to 8 SAS/SATA Drives (external)

For more information on the HPE Smart Array E208i-p SR Gen10 Controller, please refer to the [QuickSpecs](#)

Tri-mode RAID Controllers

HPE MR216i-o Gen11 x16 Lanes without Cache OCP SPDM Storage Controller P47789-B21

Notes:

- Does not occupy a PCIe expansion slot.
- This controller supports up to 16 SAS/SATA/NVMe Drives with RAID 0/1/10.

HPE MR216i-p Gen11 x16 Lanes without Cache PCI SPDM Plug-in Storage Controller P47785-B21

Notes: This controller supports up to 16 SAS/SATA/NVMe Drives with RAID 0/1/10.

HPE MR408i-o Gen11 x8 Lanes 4GB Cache OCP SPDM Storage Controller P58335-B21

Notes:

- Does not occupy a PCIe expansion slot.
- This controller supports up to 8 SAS/SATA/NVMe Drives
- HPE 96W Smart Storage Battery (P01367-B21) or HPE Smart Hybrid Capacitor (P02381-B21) must be selected with this controller.

HPE MR416i-o Gen11 x16 Lanes 8GB Cache OCP SPDM Storage Controller P47781-B21

Notes:

- Does not occupy a PCIe expansion slot.
- This controller supports up to 16 SAS/SATA/NVMe Drives
- HPE 96W Smart Storage Battery (P01367-B21) or HPE Smart Hybrid Capacitor (P02381-B21) must be selected with this controller.

HPE MR416i-p Gen11 x16 Lanes 8GB Cache PCI SPDM Plug-in Storage Controller P47777-B21

Notes:

- This controller supports up to 16 SAS/SATA/NVMe Drives
- HPE 96W Smart Storage Battery (P01367-B21) or HPE Smart Hybrid Capacitor (P02381-B21) must be selected with this controller.

HPE SR932i-p Gen11 x32 Lanes 8GB Wide Cache PCI SPDM Plug-in Storage Controller P47184-B21

Notes:

- This controller supports up to 32 SAS/SATA/NVMe Drives
- HPE 96W Smart Storage Battery (P01367-B21) or HPE Smart Hybrid Capacitor (P02381-B21) must be selected with this controller.
- This controller requires PCIe x16 bandwidth. 2x16 Primary FIO Riser Kit (P48406-B21) or 2x16 Secondary Riser Kit (P47238-B21) is required.

Controller Battery Cable Kits

HPE 96W Smart Storage Lithium-ion Battery with 260mm Cable Kit P01367-B21

HPE Smart Storage Hybrid Capacitor with 260mm Cable Kit P02381-B21

Notes: The two 260mm cable kit can't be selected together.

HPE ProLiant ML350 Gen11 Smart Storage Battery Cable Kit P58199-B21

Notes: This cable kit is required when one of battery kits (P02377-B21, P01366-B21) is selected.



Additional Options

Software RAID

Notes:

- Intel VROC NVMe feature is not supported with 4510, 4509Y and 3508U processors.
- Requires UEFI, not supported in Legacy Mode.
- For NVMe SSDs only, no PCIe card support.

Additional steps are required for OS installation with Intel VROC, please refer to the link:

[Intel Virtual RAID on CPU for HPE Gen11 User Guide - Installing OS on the Intel VROC RAID](#)

Intel Virtual RAID on CPU Standard FIO Software for HPE

SOE37A

Notes:

- Support RAID 0/1/10

Intel Virtual RAID on CPU Standard E-RTU for HPE

SOE38AAE

Notes:

- Support RAID 0/1/10
- Similar to Intel Virtual RAID on CPU Standard FIO Software for HPE (SOE37A), but intended for field deployments (BTO).

Intel Virtual RAID on CPU Premium FIO Software for HPE

R7J57A

Notes:

- Support RAID 0/1/5/10

Intel Virtual RAID on CPU Premium E-RTU for HPE

R7J59AAE

Notes:

- Support RAID 0/1/5/10
- Similar to Intel Virtual RAID on CPU Premium FIO Software for HPE (R7J57A), but intended for field deployments (BTO).

HPE Drives

HPE Hard Disk Drives

Notes Enterprise - 12G SAS - SFF Drives

* HPE 300GB SAS 12G Mission Critical 15K SFF BC 3-year Warranty Multi Vendor HDD	P28028-B21
HPE 300GB SAS 12G Mission Critical 10K SFF BC 3-year Warranty Multi Vendor HDD	P40430-B21
* HPE 600GB SAS 12G Mission Critical 15K SFF BC 3-year Warranty Multi Vendor HDD	P53560-B21
HPE 600GB SAS 12G Mission Critical 10K SFF BC 3-year Warranty Multi Vendor HDD	P53561-B21
* HPE 900GB SAS 12G Mission Critical 15K SFF BC 3-year Warranty Multi Vendor HDD	P40432-B21
HPE 1.2TB SAS 12G Mission Critical 10K SFF BC 3-year Warranty Multi Vendor HDD	P28586-B21
HPE 1.8TB SAS 12G Mission Critical 10K SFF BC 3-year Warranty 512e Multi Vendor HDD	P53562-B21
HPE 2.4TB SAS 12G Mission Critical 10K SFF BC 3-year Warranty 512e Multi Vendor HDD	P28352-B21
HPE 1.2TB SAS 12G Mission Critical 10K SFF BC 3-year Warranty Self-encrypting FIPS HDD	P28622-B21
HPE 2.4TB SAS 12G Mission Critical 10K SFF BC 3-year Warranty 512e Self-encrypting FIPS HDD	P28618-B21

Notes: *Support limited to 25°C maximum inlet temperature with 15K rpm SAS drives and system fans may operate at higher speed and higher acoustic level to maintain optimum system cooling condition.

Business Critical - 12G SAS - LFF Drives

HPE 2TB SAS 12G Business Critical 7.2K LFF LP 1-year Warranty Multi Vendor HDD	833926-B21
HPE 4TB SAS 12G Business Critical 7.2K LFF LP 1-year Warranty Multi Vendor HDD	833928-B21
HPE 6TB SAS 12G Business Critical 7.2K LFF LP 1-year Warranty 512e Multi Vendor HDD	861746-B21
HPE 8TB SAS 12G Business Critical 7.2K LFF LP 1-year Warranty 512e Multi Vendor HDD	834031-B21
HPE 12TB SAS 12G Business Critical 7.2K LFF LP 1-year Warranty Helium 512e Multi Vendor HDD	881781-B21
HPE 14TB SAS 12G Business Critical 7.2K LFF LP 1-year Warranty Helium 512e Multi Vendor HDD	P09155-B21
HPE 16TB SAS 12G Business Critical 7.2K LFF LP 1-year Warranty Helium 512e ISE Multi Vendor HDD	P23608-B21

Additional Options

HPE 20TB SAS 12G Business Critical 7.2K LFF LP 1-year Warranty Helium 512e ISE Multi Vendor HDD P53553-B21

Business Critical - 12G SAS - SFF Drives

HPE 1TB SAS 12G Business Critical 7.2K SFF BC 1-year Warranty HDD P53563-B21

HPE 2TB SAS 12G Business Critical 7.2K SFF BC 1-year Warranty 512e HDD P28505-B21

Business Critical - 6G SATA - LFF Drives

HPE 1TB SATA 6G Business Critical 7.2K LFF LP 1-year Warranty Multi Vendor HDD 861686-B21

HPE 2TB SATA 6G Business Critical 7.2K LFF LP 1-year Warranty Multi Vendor HDD 861681-B21

HPE 4TB SATA 6G Business Critical 7.2K LFF LP 1-year Warranty Multi Vendor HDD 861683-B21

HPE 6TB SATA 6G Business Critical 7.2K LFF LP 1-year Warranty 512e Multi Vendor HDD 861742-B21

HPE 8TB SATA 6G Business Critical 7.2K LFF LP 1-year Warranty 512e Multi Vendor HDD 834028-B21

HPE 12TB SATA 6G Business Critical 7.2K LFF LP 1-year Warranty Helium 512e Multi Vendor HDD 881787-B21

HPE 16TB SATA 6G Business Critical 7.2K LFF LP 1-year Warranty Helium 512e ISE Multi Vendor HDD P23449-B21

HPE 18TB SATA 6G Business Critical 7.2K LFF LP 1-year Warranty Helium 512e ISE Multi Vendor HDD P37678-B21

HPE 20TB SATA 6G Business Critical 7.2K LFF LP 1-year Warranty Helium 512e ISE Multi Vendor HDD P53554-B21

Business Critical - 6G SATA - SFF Drives

HPE 1TB SATA 6G Business Critical 7.2K SFF BC 1-year Warranty HDD P28610-B21

HPE 2TB SATA 6G Business Critical 7.2K SFF BC 1-year Warranty 512e HDD P28500-B21

Notes: Requirements for MR Tri-mode controller SED support

- TPM is not required for Local Key Management as key is stored in controller.
- iLO Advanced is required for Remote Key Management. Key is stored in remote key manager. (Ex. ESKM)

SSD Selection

For SSD selection guidance, please visit <https://ssd.hpe.com/>

Notes: LFF backplane only supports up to 12G SAS.

Read Intensive - 12G/24G SAS - SFF - Solid State Drives

HPE 960GB SAS 12G Read Intensive SFF BC Value SAS Multi Vendor SSD P40506-B21

HPE 1.92TB SAS 12G Read Intensive SFF BC Value SAS Multi Vendor SSD P40507-B21

HPE 3.84TB SAS 12G Read Intensive SFF BC Value SAS Multi Vendor SSD P40508-B21

HPE 7.68TB SAS 12G Read Intensive SFF BC Value SAS Multi Vendor SSD P40509-B21

HPE 960GB SAS 24G Read Intensive SFF BC Multi Vendor SSD P49029-B21

HPE 1.92TB SAS 24G Read Intensive SFF BC Multi Vendor SSD P49031-B21

HPE 3.84TB SAS 24G Read Intensive SFF BC Multi Vendor SSD P49035-B21

HPE 7.68TB SAS 24G Read Intensive SFF BC Multi Vendor SSD P49041-B21

HPE 15.36TB SAS 24G Read Intensive SFF BC Multi Vendor SSD P49045-B21

HPE 7.68TB SAS 24G Read Intensive SFF BC Self-encrypting FIPS PM6 SSD P41399-B21

HPE 3.84TB SAS Read Intensive SFF BC Self-encrypting FIPS 140-3 PM7 SSD P63875-B21

Mixed Use - 12G/24G SAS - SFF - Solid State Drives

HPE 960GB SAS 12G Mixed Use SFF BC Value SAS Multi Vendor SSD P40510-B21

HPE 1.92TB SAS 12G Mixed Use SFF BC Value SAS Multi Vendor SSD P40511-B21

HPE 3.84TB SAS 12G Mixed Use SFF BC Value SAS Multi Vendor SSD P40512-B21

HPE 800GB SAS 24G Mixed Use SFF BC Multi Vendor SSD P49047-B21

HPE 1.6TB SAS 24G Mixed Use SFF BC Multi Vendor SSD P49049-B21

HPE 3.2TB SAS 24G Mixed Use SFF BC Multi Vendor SSD P49053-B21

HPE 6.4TB SAS 24G Mixed Use SFF BC Multi Vendor SSD P49057-B21

HPE 1.6TB SAS 24G Mixed Use SFF BC Self-encrypting FIPS PM6 SSD P41401-B21

HPE 1.6TB SAS Mixed Use SFF BC Self-encrypting FIPS 140-2 PM7 SSD P63871-B21



Additional Options

Mixed Use - LFF- Solid State Drives

HPE 960GB SAS 12G Mixed Use LFF LPC Value SAS Multi Vendor SSD P37009-B21

Mixed Use - 6G SATA - SFF - Solid State Drives

HPE 960GB SATA 6G Mixed Use SFF BC Self-encrypting 5400M SSD P58244-B21

HPE 1.92TB SATA 6G Mixed Use SFF BC Self-encrypting 5400M SSD P58248-B21

HPE 480GB SATA 6G Mixed Use SFF BC Multi Vendor SSD P40502-B21

HPE 960GB SATA 6G Mixed Use SFF BC Multi Vendor SSD P40503-B21

HPE 1.92TB SATA 6G Mixed Use SFF BC Multi Vendor SSD P40504-B21

HPE 3.84TB SATA 6G Mixed Use SFF BC Multi Vendor SSD P40505-B21

Read Intensive - 6G SATA - SFF - Solid State Drives

HPE 480GB SATA 6G Read Intensive SFF BC Self-encrypting 5400P SSD P58236-B21

HPE 1.92TB SATA 6G Read Intensive SFF BC Self-encrypting 5400P SSD P58240-B21

HPE 240GB SATA 6G Read Intensive SFF BC Multi Vendor SSD P40496-B21

HPE 480GB SATA 6G Read Intensive SFF BC Multi Vendor SSD P40497-B21

HPE 960GB SATA 6G Read Intensive SFF BC Multi Vendor SSD P40498-B21

HPE 1.92TB SATA 6G Read Intensive SFF BC Multi Vendor SSD P40499-B21

HPE 3.84TB SATA 6G Read Intensive SFF BC Multi Vendor SSD P40500-B21

HPE 7.68TB SATA 6G Read Intensive SFF BC Multi Vendor SSD P40501-B21

HPE 480GB SATA 6G Read Intensive SFF BC PM893a SSD P63886-B21

HPE 3.84TB SATA 6G Read Intensive SFF BC PM893a SSD P63910-B21

Read Intensive – 6G SATA - LFF – Solid State Drives

HPE 960GB SATA 6G Read Intensive LFF LPC Multi Vendor SSD P47808-B21

Mixed Use - NVMe - SFF - Solid State Drives

HPE 800GB NVMe Gen4 Mainstream Performance Mixed Use SFF BC U.3 Static Multi Vendor SSD	P47837-B21
---	------------

HPE 1.6TB NVMe Gen4 Mainstream Performance Mixed Use SFF BC U.3 Static Multi Vendor SSD	P47838-B21
---	------------

HPE 3.2TB NVMe Gen4 Mainstream Performance Mixed Use SFF BC U.3 Static Multi Vendor SSD	P47839-B21
---	------------

HPE 6.4TB NVMe Gen4 Mainstream Performance Mixed Use SFF BC U.3 Static Multi Vendor SSD	P47840-B21
---	------------

HPE 1.6TB NVMe Gen4 High Performance Mixed Use SFF BC U.3 PM1735a SSD P50227-B21

HPE 3.2TB NVMe Gen4 High Performance Mixed Use SFF BC U.3 PM1735a SSD P50230-B21

HPE 6.4TB NVMe Gen4 High Performance Mixed Use SFF BC U.3 PM1735a SSD P50233-B21

HPE 1.6TB NVMe Gen4 High Performance Mixed Use SFF BC Self-encrypting FIPS U.3 CM6 SSD P41404-B21

HPE 3.2TB NVMe Gen4 High Performance Mixed Use SFF BC Self-encrypting FIPS U.3 CM6 SSD P41405-B21

HPE 800GB NVMe Gen4 Mainstream Performance Mixed Use SFF BC U.3 Static V2 Multi Vendor SSD P64999-B21

HPE 1.6TB NVMe Gen4 Mainstream Performance Mixed Use SFF BC U.3 Static V2 Multi Vendor SSD P65007-B21

HPE 3.2TB NVMe Gen4 Mainstream Performance Mixed Use SFF BC U.3 Static V2 Multi Vendor SSD P65015-B21

HPE 6.4TB NVMe Gen4 Mainstream Performance Mixed Use SFF BC U.3 Static V2 Multi Vendor SSD P65023-B21

HPE 1.6TB NVMe Gen4 High Performance Mixed Use SFF BC U.3 CM7 SSD P63845-B21

HPE 3.2TB NVMe Gen4 High Performance Mixed Use SFF BC U.3 CM7 SSD P63849-B21

HPE 6.4TB NVMe Gen4 High Performance Mixed Use SFF BC U.3 CM7 SSD P63853-B21

Read Intensive – NVMe - SFF - Solid State Drives

HPE 1.9TB NVMe Gen4 Mainstream Performance Read Intensive SFF BC U.3 Static Multi Vendor SSD	P47845-B21
--	------------

HPE 7.68TB NVMe Gen4 Mainstream Performance Read Intensive SFF BC U.3 Static Multi Vendor SSD	P47847-B21
---	------------

HPE 1.92TB NVMe Gen4 High Performance Read Intensive SFF BC U.3 PM1733a SSD P50216-B21

HPE 3.84TB NVMe Gen4 High Performance Read Intensive SFF BC U.3 PM1733a SSD P50219-B21

HPE 7.68TB NVMe Gen4 High Performance Read Intensive SFF BC U.3 PM1733a SSD P50222-B21

HPE 15.36TB NVMe Gen4 High Performance Read Intensive SFF BC U.3 PM1733a SSD P50224-B21

HPE 1.92TB NVMe Gen4 High Performance Read Intensive SFF BC Self-encrypting FIPS U.3 CM6 SSD P41402-B21

HPE 3.84TB NVMe Gen4 High Performance Read Intensive SFF BC Self-encrypting FIPS U.3 CM6 SSD P41403-B21



Additional Options

HPE 960GB NVMe Gen4 Mainstream Performance Read Intensive SFF BC U.3 Static V2 Multi Vendor SSD	P64842-B21
HPE 1.92TB NVMe Gen4 Mainstream Performance Read Intensive SFF BC U.3 Static V2 Multi Vendor SSD	P64844-B21
HPE 3.84TB NVMe Gen4 Mainstream Performance Read Intensive SFF BC U.3 Static V2 Multi Vendor SSD	P64846-B21
HPE 7.68TB NVMe Gen4 Mainstream Performance Read Intensive SFF BC U.3 Static V2 Multi Vendor SSD	P64848-B21
HPE 1.92TB NVMe Gen4 High Performance Read Intensive SFF BC U.3 CM7 SSD	P63829-B21
HPE 3.84TB NVMe Gen4 High Performance Read Intensive SFF BC U.3 CM7 SSD	P63833-B21
HPE 7.68TB NVMe Gen4 High Performance Read Intensive SFF BC U.3 CM7 SSD	P63837-B21
HPE 15.36TB NVMe Gen4 High Performance Read Intensive SFF BC U.3 CM7 SSD	P63841-B21

Very Read Optimized – NVMe - EDSFF - Solid State Drives

HPE 3.84TB NVMe Gen4 Mainstream Performance Very Read Optimized E3S EC1 EDSFF P5430 SSD	P63930-B21
HPE 7.68TB NVMe Gen4 Mainstream Performance Very Read Optimized E3S EC1 EDSFF P5430 SSD	P63934-B21
HPE 15.36TB NVMe Gen4 Mainstream Performance Very Read Optimized E3S EC1 EDSFF P5430 SSD	P63938-B21

Read Intensive – NVMe - EDSFF - Solid State Drives

HPE 3.84TB NVMe Gen5 High Performance Read Intensive E3S EC1 EDSFF SPDM PM1743 SSD	P57799-B21
HPE 7.68TB NVMe Gen5 High Performance Read Intensive E3S EC1 EDSFF SPDM PM1743 SSD	P57803-B21
HPE 15.36TB NVMe Gen5 High Performance Read Intensive E3S EC1 EDSFF SPDM PM1743 SSD	P57807-B21

Notes:

- NVMe EDSFF drive can only be selected with 12EDSFF FIO Drive Cage Kit (P48401-B21).
- NVMe EDSFF drives are limited to 25°C maximum inlet temperature and system fans may operate at higher speed and higher acoustic level to maintain optimum system cooling condition while EDSFF is installed.
- HPE has qualified the NVMe drive portfolio using the Operating System inbox drivers, full detail on the HPE Solid State Drive QuickSpecs.

HPE Networking

Notes:

- Maximum 2 OCP adapters are supported, Networking OCP3 adapter uses Slot 15 OCP 2 slot in default.
- WOL and shared NIC function are only supported in Slot 15 OCP 2 slot.
- OCP2 Enablement Kit is required when installing OCP card in Slot 15 OCP 2 slot.
- Slot 14 OCP1 slot provides x8 PCIe 5.0 lanes from system board, additional OCP1 Enablement Kit for x16 OCP NIC to install on Slot 14 OCP1 is not required with following adapters unless otherwise notice.
- High performance networking card is equaled or greater than 100Gb that may cause the fans to operate at higher speed and higher acoustic level to maintain optimum system cooling when system at idle status.
- Direct Attach Cable (DAC) for copper environments or fiber transceivers and cables for fiber-optic environments must be purchased separately. Please see the related NIC QuickSpecs for Technical Specifications and additional information: <https://h20195.www2.hpe.com/v2/getpdf.aspx/A00002507ENW>.

PCIe Adapters

1 Gigabit Ethernet adapters

Broadcom BCM5719 Ethernet 1Gb 4-port BASE-T Adapter for HPE	P51178-B21
Intel I350-T4 Ethernet 1Gb 4-port BASE-T Adapter for HPE	P21106-B21

10 Gigabit Ethernet adapters

Broadcom BCM57416 Ethernet 10Gb 2-port BASE-T Adapter for HPE	P26253-B21
Broadcom BCM57412 Ethernet 10Gb 2-port SFP+ Adapter for HPE	P26259-B21

Notes 10/25 Gigabit Ethernet adapters

Broadcom BCM57414 Ethernet 10/25Gb 2-port SFP28 Adapter for HPE	P26262-B21
* Broadcom BCM57504 Ethernet 10/25Gb 4-port SFP28 Adapter for HPE	P26264-B21



Additional Options

Intel E810-XXVDA2 Ethernet 10/25Gb 2-port SFP28 Adapter for HPE	P08443-B21
Mellanox MCX631102AS-ADAT Ethernet 10/25Gb 2-port SFP28 Adapter for HPE	P42044-B21
* Intel E810-XXVDA4 Ethernet 10/25Gb 4-port SFP28 Adapter for HPE	P08458-B21
HPE Ethernet 10/25Gb 2-port Secure Network Adapter	S2A69A
100 Gigabit Ethernet adapters	
* Intel E810-CQDA2 Ethernet 100Gb 2-port QSFP28 Adapter for HPE	P21112-B21
* HPE NV60100M 100Gb 2-port Storage Offload Adapter	R8M41A

Notes: * The controllers require PCIe x16 bandwidth. 2x16 Primary FIO Riser Kit (P48406-B21) or 2x16 Secondary Riser Kit (P47238-B21) is required.

OCP Adapter

1 Gigabit Ethernet OCP adapters

Broadcom BCM5719 Ethernet 1Gb 4-port BASE-T OCP3 Adapter for HPE	P51181-B21
Intel I350-T4 Ethernet 1Gb 4-port BASE-T OCP3 Adapter for HPE	P08449-B21

10 Gigabit Ethernet OCP Adapters

Broadcom BCM57412 Ethernet 10Gb 2-port SFP+ OCP3 Adapter for HPE	P26256-B21
Broadcom BCM57416 Ethernet 10Gb 2-port BASE-T OCP3 Adapter for HPE	P10097-B21

10/25 Gigabit Ethernet OCP adapters

Intel E810-XXVDA2 Ethernet 10/25Gb 2-port SFP28 OCP3 Adapter for HPE	P10106-B21
Mellanox MCX631432AS-ADA1 Ethernet 10/25Gb 2-port SFP28 OCP3 Adapter for HPE	P42041-B21
Broadcom BCM57414 Ethernet 10/25Gb 2-port SFP28 OCP3 Adapter for HPE	P10115-B21
Broadcom BCM57504 Ethernet 10/25Gb 4-port SFP28 OCP3 Adapter for HPE	P26269-B21

Notes: OCP1 Enablement Kit is required for this adapter when install in OCP1 slot.

100 Gigabit Ethernet adapters

Intel E810-CQDA2 Ethernet 100Gb 2-port QSFP28 OCP3 Adapter for HPE	P22767-B21
--	------------

Notes: OCP1 Enablement Kit is required for this adapter when install in OCP1 slot.

HPE InfiniBand

Notes:

- When AOC (Active Optical Cables) and processors TDP greater than 270W are selected, limited to 25°C maximum inlet temperature is supported with all drive cage combinations.
- When AOC (Active Optical Cables) and processors TDP equal or less than 270W are selected, limited to 25°C maximum inlet temperature is supported with 8SFF x4 U.3 Tri-Mode FIO Drive Cage Kit (P47218-B21), 12EDSFF FIO Drive Cage Kit (P48401-B21) or 3 SFF/LFF drive cages configuration.
- InfiniBand controllers require PCIe x16 bandwidth. 2x16 Primary FIO Riser Kit (P48406-B21) or 2x16 Secondary Riser Kit (P47238-B21) is required.

HPE InfiniBand HDR100/Ethernet 100Gb 1-port QSFP56 PCIe4 x16 MCX653105A-ECAT Adapter	P23665-B21
HPE InfiniBand HDR100/Ethernet 100Gb 2-port QSFP56 PCIe4 x16 MCX653106A-ECAT Adapter	P23666-B21



Additional Options

HPE Power Supplies

HPE Flexible Slot (Flex Slot) Power Supplies share a common electrical and physical design that allows for hot plug, tool-less installation into HPE ProLiant Servers. Flex Slot power supplies are certified for high-efficiency operation and offer multiple power output options, allowing users to "right-size" a power supply for specific server configurations. This flexibility helps to reduce power waste, lower overall energy costs, and avoid "trapped" power capacity in the data center.

Notes:

- Prior to making a power supply selection it is highly recommended that the [HPE Power Advisor Tool](#) is run to determine the right size power supply for your server configuration.
- Visit [HPE Power Cords and Cables](#) for a full list of optional power cords.
- Flex Slot Platinum power supplies support power efficiency of up to 94% and include a standard C-14 power inlet connector.
- Flex Slot Titanium power supplies support power efficiency of up to 96% and include a standard C-14 power inlet connector.

HPE 500W Flex Slot Platinum Hot Plug Low Halogen Power Supply Kit 865408-B21

Notes: Support limited to single 125W TDP processor configuration.

HPE 800W Flex Slot Platinum Hot Plug Low Halogen Power Supply Kit P38995-B21

HPE 1000W Flex Slot Titanium Hot Plug Power Supply Kit P03178-B21

HPE 1600W Flex Slot -48VDC Hot Plug Power Supply Kit P17023-B21

Notes:

- Flex Slot universal power supplies support power efficiency of up to 94% and support both 277VAC/380VDC power inputs.
- HPE 1600W DC PSU Power Lug Option Kit (P36877-B21) must be selected along with this power supplies.

HPE 1600W -48VDC Power Cable Lug Kit P36877-B21

Notes: Must be selected along with HPE 1600W Flex Slot -48VDC Hot Plug Power Supply Kit (P17023-B21)

HPE 1600W Flex Slot Platinum Hot Plug Low Halogen Power Supply Kit P38997-B21

HPE 1800W-2200W Flex Slot Titanium Hot Plug Power Supply Kit P44712-B21

Embedded Management

HPE iLO Advanced

HPE iLO Advanced Electronic License with 1yr Support on iLO Licensed Features E6U59ABE

HPE iLO Advanced Electronic License with 3yr Support on iLO Licensed Features E6U64ABE

HPE iLO Advanced 1-server License with 3yr Support on iLO Licensed Features BD505A

HPE iLO Advanced Flexible Quantity License with 3yr Support on iLO Licensed Features BD506A

HPE iLO Advanced AKA Tracking License with 3yr Support on iLO Licensed Features BD507A

HPE iLO Advanced 1-server License with 1yr Support on iLO Licensed Features 512485-B21

HPE iLO Advanced Flexible Quantity License with 1yr Support on iLO Licensed Features 512486-B21

HPE iLO Advanced AKA Tracking License with 1yr Support on iLO Licensed Features 512487-B21

HPE iLO Common Password Setting

HPE iLO Common Password FIO Setting P08040-B21

Notes:

- Replaces iLO default randomized password by an HPE defined common password. HPE highly recommends changing this password immediately after the initial onboarding process.
- Customers who want to choose their own custom iLO default password should use the HPE Factory Express Integration Services.



Additional Options

HPE Security

HPE ProLiant ML350/ML110 Gen11 Intrusion Cable Kit P47226-B21

HPE Cable Options

Notes: For details on cabling options and cable routing instructions, refer to [HPE ML350 Gen11 User Guide](#)

HPE ProLiant ML350 Gen11 LFF Embedded SATA Cable Kit P47225-B21

Notes: This cable kit supports up to 3x 4LFF drive cages with embedded SATA controller.

HPE ProLiant ML350 Gen11 SFF Embedded SATA Cable Kit P47232-B21

Notes: This cable kit supports up to 1x 8SFF drive cage with embedded SATA controller.

HPE ProLiant ML350 Gen11 LFF OROC Cable Kit P47229-B21

Notes: This cable kit supports up to 3x 4LFF drive cages with HPE OCP-type RAID controller (OROC).

HPE ProLiant ML350 Gen11 SFF OROC Cable Kit P47235-B21

Notes: This cable kit supports up to 2x 8SFF drive cages with HPE OCP-type RAID controller (OROC).

HPE ProLiant ML350 Gen11 LFF SAS/SATA PCIe Controller Cable Kit P47227-B21

Notes: This cable kit supports up to 3x 4LFF drive cages with HPE stand-up PCIe storage controller.

HPE ProLiant ML350 Gen11 SFF Tri-Mode PCIe Controller Cable Kit P47233-B21

Notes: This cable kit supports up to 3x 8SFF drive cages with HPE stand-up PCIe storage controller.

HPE ProLiant ML350 Gen11 8NVMe x4 Direct Attach FIO Cable Kit P48399-B21

Notes: This cable kit must be selected with 8SFF x4 U.3 Tri-Mode FIO Drive Cage Kit (P47218-B21) for direct attached.

HPE ProLiant ML350 Gen11 8SFF x4 U.3 Tri-Mode FIO Cable Kit P47234-B21

Notes: This cable kit must be selected with 8SFF x4 U.3 Tri-Mode FIO Drive Cage Kit (P47218-B21) and SR932i-p (P47184-B21) for controller attached mode.

HPE ProLiant ML350 Gen11 12EDSFF x4 Direct Attach FIO Cable Kit P48400-B21

Notes: This cable kit must be selected with HPE ProLiant ML350 Gen11 12EDSFF FIO Drive Cage Kit (P48401-21).

HPE ProLiant ML350 Gen11 OCP1 Enablement Kit P47230-B21

Notes: This cable kit must be selected to support x16 OCP NIC adapter on OCP 1 slot with 1P configuration. CPU 1 MCIO connector will be occupied.

HPE ProLiant ML350 Gen11 OCP2 Enablement Kit P47231-B21

Notes: This cable kit must be selected when 2 OCP adapters are ordered. Depends on OCP adapter requirement (x8 or x16) and 1P or 2P configuration, one or two MCIO connectors will be occupied.

HPE ProLiant ML350 Gen11 Serial Port Cable Kit P55062-B21

HPE Tape Backup

For the complete range of tape drives, autoloaders, libraries and media see:

LTO Ultrium tape QuickSpecs

For hardware and software compatibility of Hewlett Packard Enterprise tape backup products

https://h20272.www2.hpe.com/SPOCK/Pages/spock2Html.aspx?htmlFile=hw_storeever.html

Notes:

- When RDX ordered, Tertiary Riser Kit (P49693-B21) is required.
- Support one internal RDX installation in Box 1 location.
- Change the Thermal Configuration to Increased Cooling mode in BIOS/Platform Configuration (RBSU) menu when internal RDX is installed.



Additional Options

HPE Tape Drives

HPE StoreEver LTO-8 Ultrium 30750 External Tape Drive	BC023A
HPE StoreEver LTO-9 Ultrium 45000 External Tape Drive	BC042A
HPE StoreEver LTO-7 Ultrium 15000 External Tape Drive	BB874A

HPE Tape Drives Cartridge

HPE LTO-6 Ultrium 6.25TB RW Data Cartridge	C7976A
HPE LTO-7 Ultrium 15TB RW Data Cartridge	C7977A
HPE LTO-8 Ultrium 30TB RW Data Cartridge	Q2078A
HPE LTO-9 Ultrium 45TB RW Data Cartridge	Q2079A

HPE Tape Backup Products

HPE StoreEver Mini-SAS High Density to 4-lane Mini-SAS External Fanout 2m Cable	K2R09A
HPE StoreEver Mini-SAS High Density to 4-lane Mini-SAS External Fanout 4m Cable	K2R10A

HPE RDX Products

HPE RDX External Docking Station	C8S07B
HPE RDX Internal Docking Station	C8S06A
HPE RDX 4TB Removable Disk Cartridge	Q2048A
HPE RDX 2TB Removable Disk Cartridge	Q2046A
HPE RDX 500GB Removable Disk Cartridge	Q2042A
HPE RDX 1TB Removable Disk Cartridge	Q2044A

Internal RDX Support Kit

HPE ProLiant ML350 Gen11 Internal RDX Support Kit	P49694-B21
---	------------

Notes: Supporting cables to add additional internal RDX device for data backup or archiving.

HPE Storage Options

Emulex Fibre Channel HBAs

HPE SN1610E 32Gb 1-port Fibre Channel Host Bus Adapter	R2J62A
HPE SN1610E 32Gb 2-port Fibre Channel Host Bus Adapter	R2J63A
HPE SN1700E 64Gb 1-port Fibre Channel Host Bus Adapter	R7N77A
HPE SN1700E 64Gb 2-port Fibre Channel Host Bus Adapter	R7N78A

QLogic Fibre Channel HBAs

HPE SN1610Q 32Gb 1-port Fibre Channel Host Bus Adapter	R2E08A
HPE SN1610Q 32Gb 2-port Fibre Channel Host Bus Adapter	R2E09A
HPE SN1700Q 64Gb 1-port Fibre Channel Host Bus Adapter	R7N86A
HPE SN1700Q 64Gb 2-port Fibre Channel Host Bus Adapter	R7N87A

Notes: For the complete listing of Fibre Channel Converged Network Adapters please see:

<https://www.hpe.com/us/en/product-catalog/servers/adapters>

HPE Racks

- Please see the HPE Advanced Series Racks QuickSpecs for information on additional racks options and rack specifications. **HPE G2 Advanced Series Racks**
- Please see the HPE Enterprise Series Racks QuickSpecs for information on additional racks options and rack specifications. **HPE G2 Enterprise Series Racks**



Additional Options

HPE Power Distribution Units (PDUs)

- Please see the [HPE Basic Power Distribution Units \(PDU\) QuickSpecs](#) for information on these products and their specifications.
- Please see the [HPE Metered Power Distribution Units \(PDU\) QuickSpecs](#) for information on these products and their specifications.
- Please see the [HPE Intelligent Power Distribution Unit \(PDU\) QuickSpecs](#) for information on these products and their specifications.
- Please see the [HPE Metered and Switched Power Distribution Units \(PDU\) QuickSpecs](#) for information on these products and their specifications.

HPE Uninterruptible Power Systems (UPS)

- To learn more, please visit the [HPE Uninterruptible Power Systems \(UPS\) web page](#).
- Please see the [HPE DirectFlow Three Phase Uninterruptible Power System QuickSpecs](#) for information on these products and their specifications.
- Please see the [HPE Line Interactive Single Phase UPS QuickSpecs](#) for information on these products and their specifications.

HPE T750 Gen5 NA/JP UPS with Management Card Slot	Q1F47A
HPE T750 Gen5 INTL UPS with Management Card Slot	Q1F48A
HPE T1000 Gen5 NA/JP UPS with Management Card Slot	Q1F49A
HPE T1000 Gen5 INTL UPS with Management Card Slot	Q1F50A
HPE T1500 Gen5 NA/JP UPS with Management Card Slot	Q1F51A
HPE T1500 Gen5 INTL UPS with Management Card Slot	Q1F52A

HPE Rack Options

Please see the [HPE KVM Switches web page](#) for information on these products and their specifications.

Rail Kits

HPE ProLiant ML350/ML110 Gen11 T/R Conversion Kit	P47394-B21
---	------------

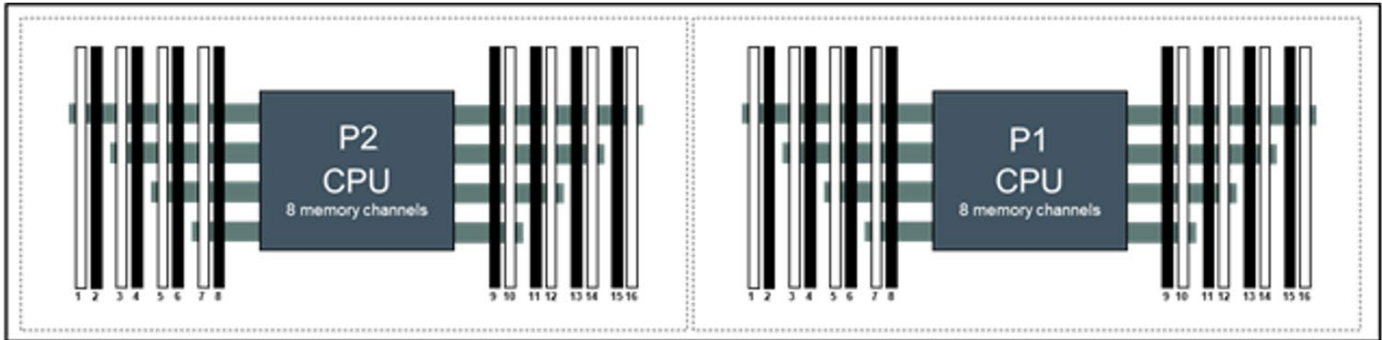
Notes:

- Easy install rack rail tray which takes up 1U height in a standard rack facility.
- This kit is supported in both ML350 and ML110 Gen11 for tower to rack conversion.
- This kit includes CMA and is shipped as standard.
- This kit is not factory integratable option and only can be shipped with standalone package.
- HPE rail kits are designed to work with HPE racks in compliance with industry standard EIA-310-E. In the event a customer elects to purchase a third-party rack for use with an HPE rail kit, any such use is at customer's own risk. HPE makes no express or implied warranties with respect to such third-party racks and specifically disclaims any implied warranties of merchantability and fitness for a particular purpose. Furthermore, HPE has no obligation and assumes no liability for the materials, design, specifications, installation, safety, and compatibility of any such third-party racks with any rail kits, including HPE rail kits.



Memory

Memory Population guidelines



HPE ML350 Gen11 Server (Front of server)

Notes: 2 Slots per channel

HPE ProLiant ML350 Gen11 Servers 16 slots per CPU DIMM population order

1 DIMM										10																
2 DIMMs²			3							10																
4 DIMMs²			3				7							10			14									
6 DIMMs			3			5			7							10			14			16				
8 DIMMs^{1,2}	1			3			5			7							10			12			14			16
12 DIMMs	1	2	3					5	6	7							10	11	12					14	15	16
16 DIMMs^{1,2}	1	2	3	4	5	6	7	8	9	10	11	12	13	14	15	16										

Notes:

- ¹ Support SGX (Software Guard Extensions)
- ² Support Hemi (hemisphere mode)

General Memory Population Rules and Guidelines:

- Install DIMMs only if the corresponding processor is installed. If only one processor is installed in a 2-processor system, only half of the DIMM slots are available to populate.
- If a memory channel consists of more than one DIMM slot, the white DIMM slot is located furthest from the CPU. White DIMM slots denote the first slot to be populated in a channel. For one DIMM per channel (DPC), populate white DIMM slots only
- Rank mixing is not allowed on a channel except for 1 rank + 2 rank combination when all 16 DIMMs for a Processor socket is populated. (2 rank in white slot, 1 rank in block slot),
- No x4 mixing with x8 across a socket.
- If multiple CPUs are populated, split the HPE Smart Memory DIMMs evenly across the CPUs and follow the corresponding CPU rules when populating DIMMs.
- To maximize performance, it is recommended to balance the total memory capacity across all installed processors and load the channels similarly whenever possible.
- If the number of DIMMs does not spread evenly across the CPUs, populate as close to evenly as possible.
- Avoid creating an unbalanced configuration for any CPU.



Memory

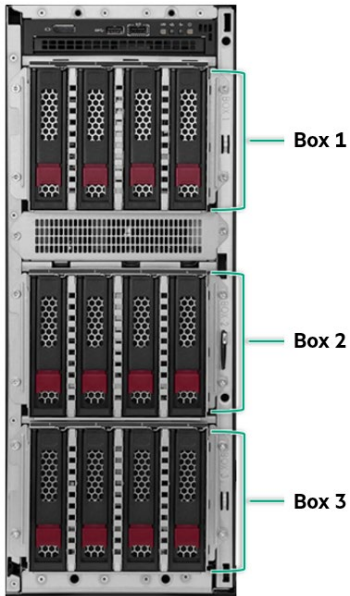
- The maximum memory capacity is a function of the number of DIMM slots on the platform—the largest DIMM capacity qualified on the platform and the number and model of qualified processors installed on the platform.
- Do not mix HPE Smart Memory RDIMMs and HPE Smart Memory LRDIMMs in the same system.
- The 256 GB 8R 3DS RDIMM can be mixed with 128 GB 4R 3DS RDIMM ONLY in 16 DIMMs populated. 256 GB 8R 3DS RDIMM needs to be in white slot while 128 GB 4R 3DS RDIMM needs to be in black slot.
- The maximum memory speed is a function of the memory type, memory configuration, and processor model.
- DIMMs of different speeds may be mixed in any order; however, the server will select the lowest common speed among all of the DIMMs on all of the CPUs.
- HPE Smart Memory DIMMs and HPE NVDIMM-Ns from previous generation servers are not compatible with the current generation. Certain HPE Smart Memory features such as memory authentication and enhanced performance may not be supported.
- There are no performance implications for mixing sets of different capacity DIMMs at the same operating speed. For example, latency and throughput will not be negatively impacted by installing an equal number of 32 GB 1rank x4 DDR5-4800 DIMMs (in black slot) and 64 GB 2rank x4 DDR5-4800 DIMMs (in white slot).
- Take each DIMM type and create a configuration as if it were a homogeneous configuration.
- For details on the HPE Server Memory Options Population Rules, visit:
<http://www.hpe.com/docs/memory-population-rules>.
- For additional information, please see the [HPE DDR5 Smart Memory QuickSpecs](#).

Notes: The maximum memory speed is a function of the memory type, memory configuration, and processor model.

For details on the HPE Server Memory speed, visit: <https://www.hpe.com/docs/server-memory>.



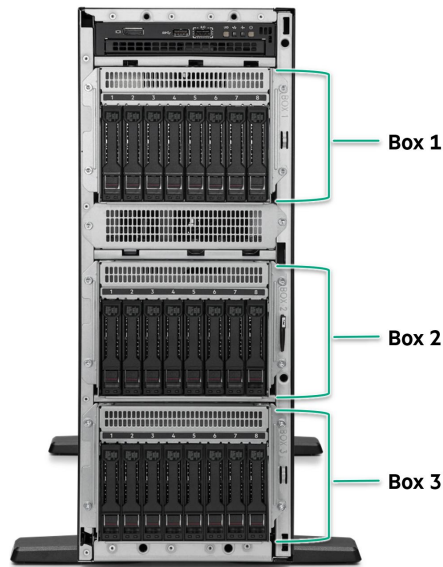
Storage



12 LFF hot-plug drive model:

Tower – shown without the tower feet.

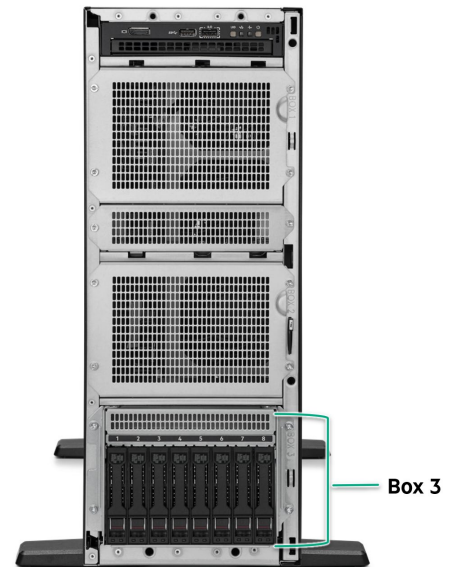
- 3 x 4LFF SAS/SATA hot-pluggable HDD/SSD Cage Kit in Box 1/2/3.



24 SFF hot-plug drive model:

Tower – shown with the tower feet.

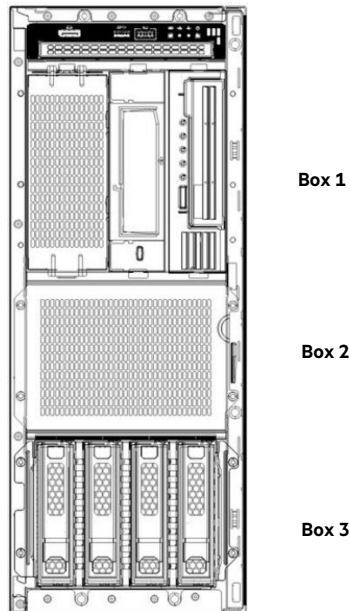
- 3 x 8SFF SAS/SATA/NVME hot-pluggable HDD/SSD Cage Kit in Box 1/2/3.



8 SFF hot-plug drive model:

Tower – shown with the tower feet.

- 1 x 8SFF SAS/SATA/NVME or x4 NVME U.3 hot-pluggable Cage Kit in Box 3.



4LFF hot-plug drive and RDX model:

Tower – shown without the tower feet.

- 1x 4LFF SAS/SATA hot-pluggable HDD/SSD Cage Kit in Box 3.
- RDX in Box 1



Technical Specifications

System Unit

Dimensions

- **Tower**
46.2 (H) x 71.2 (D) x 17.4 (W) cm
18.2 (H) x 28 (D) x 6.85 (W) in
- **Rack – System only**
17.4 (H/4U) x 64.8 (D) x 44.5 (W) cm
6.85 (H) x 25.51 (D) x 17.52 (W) in
- **Tower-to-Rack Conversion Kit (1U)**
4.445 (H/1U) x 69.2 (D/without CMA. Depth with CMA: 83.5) x 45.2 (W) cm
1.75 (H/1U) x 27.23 (D/without CMA. Depth with CMA: 32.89) x 17.795 (W) in

Weight (approximate)

- **24.73 kg (54.52 lb)**
SFF Minimum:
8SFF chassis with 1x SFF HDD and 7x SFF HDD blanks, 1x HDD Drive Cage blank, 2x Media Bay blanks, 1x DVD bay blank, 1x processor including standard heatsink, 1x DIMM, 1x power supply (plus blank), 1x Primary Riser, 1x Riser Cage blank, 2x OCP blanks, Cables for the above.
- **37.18 kg (81.97 lb)**
SFF Maximum:
8SFF chassis with 24x SFF HDDs with 3x HDD Drive Cage, 1x DVD device, 2x processor including standard heatsink, 24x DIMMs, 2x power supply, 2x Primary Riser, 1x Tertiary Riser, 1x Megacell, 2x OCP, 8x Single Width GPU card, 2x x8 HHHL card (Max. 166g), Cables for the above.
- **27.42 kg (60.45 lb)**
LFF Minimum:
4LFF chassis with 1x LFF HDD and 3x HDD blanks, 1x HDD Drive Cage blank, 2x Media Bay blanks, 1x DVD bay blank, 1x processor including standard heatsink, 1x DIMM, 1x power supply (plus blank), 2x Primary Riser, 1x Tertiary Riser, 1x Megacell, 2x OCP blanks, 2x SR932i-p card, Cables for the above.
- **43.05 kg (94.91 lb)**
LFF Maximum:
4LFF chassis with 12x LFF HDDs with 3x HDD Drive Cage, 1x DVD device, 2x processor including performance heatsink, 24x DIMMs, 2x power supply, 2x Primary Riser, 1x Tertiary Riser, 1x Megacell, 2x OCP, 4x Double Width x16 GPU card, 2x FHHL card, 1x NS204i-u, Cables for the above.

Input Requirements (per power supply)

Rated Line Voltage

- 100 to 120 VAC
- 200 to 240 VAC
- 40 to 72 VDC

BTU Rating

Maximum

- For 500W Power Supply: 1902 BTU/hr (at 100 VAC), 1840 BTU/hr (at 200 VAC), 1832 BTU/hr (at 240 VAC)
 - For 800W Power Supply: 3067 BTU/hr (at 100 VAC), 2958 BTU/hr (at 200 VAC), 2949 BTU/hr (at 240 VAC)
 - For 1000W Power Supply: 3741 BTU/hr (at 100 VAC), 3596 BTU/hr (at 200 VAC), 3582 BTU/hr (at 240 VAC)
 - For 1600W Power Supply: 5918 BTU/hr (at 200 VAC), 5884 BTU/hr (at 240 VAC)
 - For 1600W -48VDC Power Supply: 6026 BTU/hr (at 40 VDC), 6000 BTU/hr (at 48 VDC), 5989 BTU/hr (at 72 VDC)
 - For 1800W-2200W Power Supply: 6497 BTU/hr (at 200 VAC), 7962 BTU/hr (at 240 VAC)
-

Technical Specifications

Power Supply Output (per power supply)

Maximum Rated Output Wattage Rating

- For 1800W-2200W (Titanium) Power Supply: 1799W (at 200 VAC), 2200W (at 240 VAC)
- For 1600W (Platinum) Power Supply: 1600W (at 240 VAC), 1600W (at 240 VDC) for China only
- For 1600W -48VDC Power Supply: 1600W (at 40 VDC), 1600W (at 48 VDC), 1600W (at 72 VDC)
- For 1000W (Titanium) Power Supply: 1000W (at 100 VAC), 1000W (at 240 VAC)
- For 800W (Platinum) Power Supply: 800W (at 100 VAC), 800W (at 240 VAC), 800W (at 240 VDC) input for China only
- For 500W (Platinum) Power Supply: 500W (at 100 VAC), 500W (at 240 VAC), 500W (at 240 VDC) input for China only

System Inlet Temperature

- **Standard Operating Temperature**

10° to 35°C (50° to 95°F) at sea level with an altitude derating of 1.0°C per every 305 m (1.8°F per every 1000 ft) above sea level to a maximum of 3050 m (10,000 ft), no direct sustained sunlight. Maximum rate of change is 20°C/hr (36°F/hr). The upper limit and rate of change may be limited by the type and number of options installed. System performance during standard operating support may be reduced if operating with a fan fault or above 30°C (86°F).

- **Extended Ambient Operating Temperature**

For approved hardware configurations, the supported system inlet range is extended to be: 5° to 10°C (41° to 50°F) and 35° to 40°C (95° to 104°F) at sea level with an altitude derating of 1.0°C per every 175 m (1.8°F per every 574 ft) above 900 m (2953 ft) to a maximum of 3050 m (10,000 ft). The approved hardware configurations for this system are listed at the URL: https://support.hpe.com/hpesc/public/docDisplay?docId=sd00002260en_us&docLocale=en_US

For approved hardware configurations, the supported system inlet range is extended to be: 40° to 45°C (104° to 113°F) at sea level with an altitude derating of 1.0°C per every 125 m (1.8°F per every 410 ft) above 900 m (2953 ft) to a maximum of 3050 m (10,000 ft). The approved hardware configurations for this system are listed at the URL: https://support.hpe.com/hpesc/public/docDisplay?docId=sd00002260en_us&docLocale=en_US

System performance may be reduced if operating in the extended ambient operating range or with a fan fault.

- **Non-operating**

-30° to 60°C (-22° to 140°F). Maximum rate of change is 20°C/hr (36°F/hr).

Relative Humidity (non-condensing)

- **Operating**

8% to 90% - Relative humidity (Rh), 28°C maximum wet bulb temperature, non-condensing.

- **Non-operating**

5 to 95% relative humidity (Rh), 38.7°C (101.7°F) maximum wet bulb temperature, non-condensing.

Altitude

- **Operating**

3050 m (10,000 ft). This value may be limited by the type and number of options installed. Maximum allowable altitude change rate is 457 m/min (1500 ft/min).

- **Non-operating**

9144 m (30,000 ft). Maximum allowable altitude change rate is 457 m/min (1500 ft/min).



Technical Specifications

Emission Classification (EMC) Regulatory Information

To view the regulatory information for your product, view the Safety and Compliance Information for Server, Storage, Power, Networking, and Rack Products, available at the Hewlett Packard Enterprise Support Center:

https://support.hpe.com/hpsc/public/docDisplay?docLocale=en_US&docId=c03471072

Environment-friendly Products and Approach End-of-life Management and Recycling

Hewlett Packard Enterprise offers **end-of-life product return, trade-in, and recycling programs**, in many geographic areas, for our products. Products returned to Hewlett Packard Enterprise will be recycled, recovered or disposed of in a responsible manner.

The EU WEEE directive (2002/95/EC) requires manufacturers to provide treatment information for each product type for use by treatment facilities. This information (product disassembly instructions) is posted on the Hewlett Packard Enterprise web site. These instructions may be used by recyclers and other WEEE treatment facilities as well as Hewlett Packard Enterprise OEM customers who integrate and re-sell Hewlett Packard Enterprise equipment.

Acoustic Noise

Listed are the declared mean A-Weighted sound power levels (LwAm), declared average bystander position A-Weighted sound pressure levels (LpAm) and the statistical adder for verification, Kv, is a quantity to be added to the declared mean A-weighted sound power

level, LwA,m when the product is operating in a 23°C ambient environment. Noise emissions were measured in accordance with ISO 7779 (ECMA 74) and declared in accordance with ISO 9296 (ECMA 109). The listed sound levels apply to standard shipping configurations. Additional options may result in increased sound levels. Please have your HPE representative provide information from the HPE EMESC website for further technical details regarding the configurations listed below.

Test Case	Base LFF	Base SFF	Perf SFF 1	Perf SFF 2	Perf SFF 3
Idle					
LwA,m	4.0 B	3.9 B	4.0 B	4.0 B	4.1 B
LpAm	26 dBA	25 dBA	25 dBA	25 dBA	25 dBA
Kv	0.4 B	0.4 B	0.4 B	0.4 B	0.4 B
Operating					
LwA,m	4.1 B	4.1 B	4.1 B	4.2 B	4.2 B
LpAm	26 dBA	26 dBA	26 dBA	26 dBA	26 dBA
Kv	0.4 B	0.4 B	0.4 B	0.4 B	0.4 B

Notes:

- The declared mean A-weighted sound power level, LWA,m, is computed as the arithmetic average of the measured.
- A-weighted sound power levels for a randomly selected sample, rounded to the nearest 0,1 B.
- The declared mean A-weighted emission sound pressure level, LpA,m, is computed as the arithmetic average of the measured A-weighted emission sound pressure levels at the bystander positions for a randomly selected sample, rounded to the nearest 1 dB.
- The statistical adder for verification, Kv, is a quantity to be added to the declared mean A-weighted sound power level, LWA,m, such that there will be a 95 % probability of acceptance, when using the verification procedures of ISO 9296, if no more than 6,5 % of the batch of new equipment, has A-weighted sound power levels greater than (LWA,m + Kv).
- The quantity, LWA,c (formerly called LwA,m), can be computed from the sum of LWA,m and Kv.
- All measurements made to conform to ISO 7779 / ECMA-74 and declared to conform to ISO 9296 / ECMA-109.
- B, dB, abbreviations for bels and decibels, respectively, where 1 B = 10 dB.
- The results in this declaration apply only to the model numbers listed above when operating and tested according to the indicated modes and standards. A system with additional configuration components or increased operating functionality may increase the noise emission values.

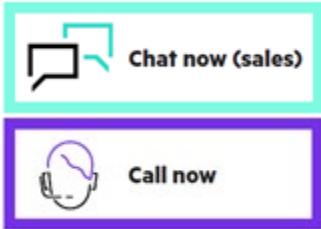
Summary of Changes

Date	Version History	Action	Description of Change
06-May-2024	Version 18	Changed	Configuration Information and Additional Options sections were updated.
01-Apr-2024	Version 17	Changed	Overview, Standard Features, Pre-Configured Models, Configuration Information and Additional Options sections were updated.
18-Mar-2024	Version 16	Changed	Pre-Configured section was updated.
04-Mar-2024	Version 15	Changed	Pre-configured SKUs, Networking and UPS options were updated.
05-Feb-2024	Version 14	Changed	Drive options were updated.
08-Jan-2024	Version 13	Changed	New NVMe drive options were updated. Energy Star 4.0 information and 96GB 5600 memory support limitation were updated.
14-Dec-2023	Version 12	Changed	Intel 5 th Gen processors and 5600 memory options were updated.
13-Nov-2023	Version 11	Changed	New Pre-Configured SKUs were updated.
06-Nov-2023	Version 10	Changed	Service and Support section was updated.
05-Sep-2023	Version 9	Changed	Add new Lot 9 required statements and options. Optimized BTO/CTO SKUs content.
07-Aug-2023	Version 8	Changed	Overview and additional Options sections were updated.
10-Jul-2023	Version 7	Changed	Standard Features and Additional Options sections were updated.
05-Jun-2023	Version 6	Changed	Overview, Standard Features, Core Options, and Technical Specification sections were updated.
01-May-2023	Version 5	Changed	Standard Features and Core Options sections were updated.
03-Apr-2023	Version 4	Changed	Overview, Standard Features, Core Options, and Technical Specification sections were updated.
06-Mar-2023	Version 3	Changed	Overview, Standard Features, Core Options, and Technical Specification sections were updated.
06-Feb-2023	Version 2	Changed	Standard Features, Core Options, Additional Options and Technical Specification sections were updated.
10-Jan-2023	Version 1	New	New QuickSpecs.



Copyright

**Make the right purchase decision.
Contact our presales specialists.**



© Copyright 2024 Hewlett Packard Enterprise Development LP. The information contained herein is subject to change without notice. The only warranties for Hewlett Packard Enterprise products and services are set forth in the express warranty statements accompanying such products and services. Nothing herein should be construed as constituting an additional warranty. Hewlett Packard Enterprise shall not be liable for technical or editorial errors or omissions contained herein.

Intel® and Xeon® are registered trademarks of Intel Corporation in the U.S. and other countries. Microsoft®, Windows®, and Windows Server® are U.S. registered trademarks of the Microsoft group of companies.

For hard drives, 1GB = 1 billion bytes. Actual formatted capacity is less

a50004308enw - 16912 - Worldwide - V18 - 06-May-2024