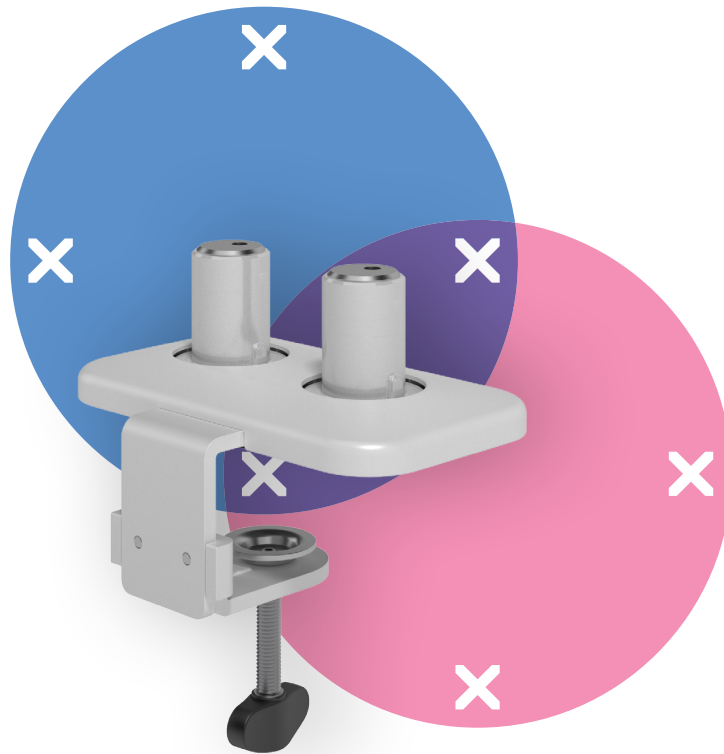


viewprime^x

Warranty



65.920

Viewprime desk clamp - mount 920

Our standard desk clamp is ideally for most desks to mount the dual Viewprime plus monitor arm (65.210). Especially if you don't have cable management grommet holes or a M10 bolt hole is not an option, we recommend this mounting option.

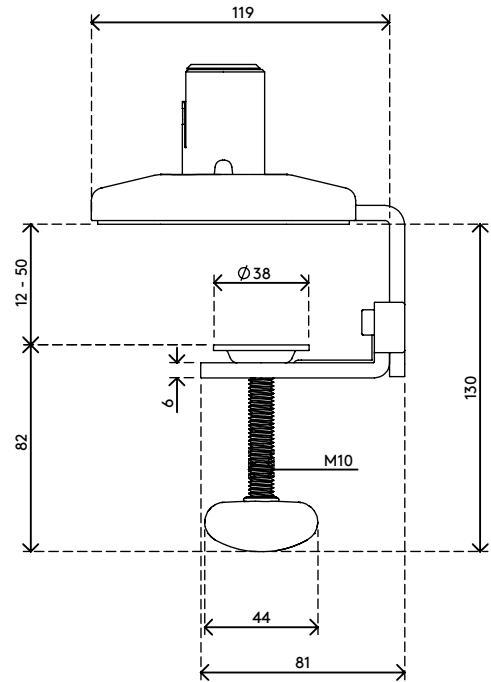
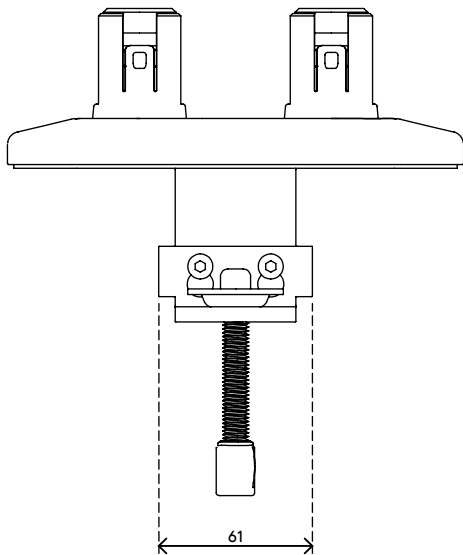
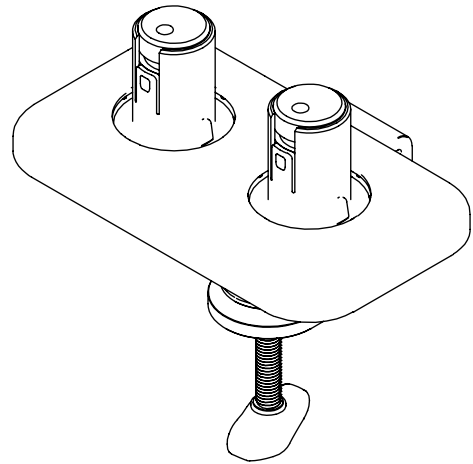
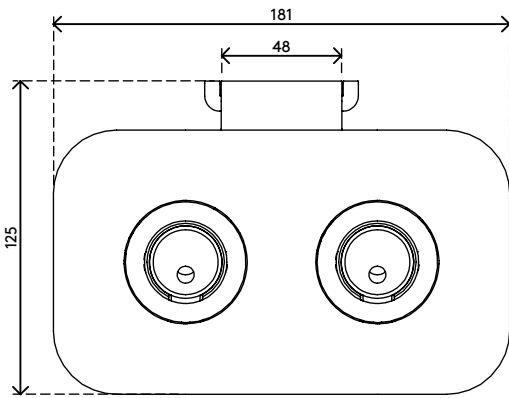
- Suitable for a desktop thickness of 12 up to 50 mm (0,5" -2,0")

- Mounting option for dual Viewprime plus monitor arm 65.210

dataflex

feeling at work


viewprime ^x



Viewprime desk clamp - mount 920

2021/03/21


65.920

 185 x 110 x 110 mm

 1 pcs

 white

 1,662 kg

 805410659202