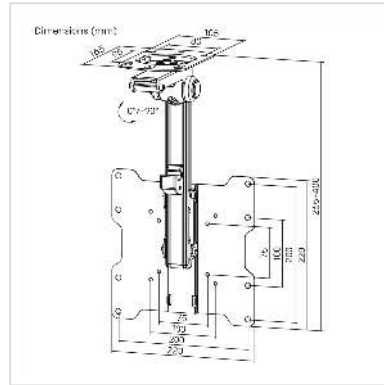


# VALUE TV Ceiling Mount, tiltable, 17" - 37", up to 20 kg

<b>Product No.</b>	17.99.1186
<b>Manufacturer</b>	VALUE
<b>Manufacturer No.</b>	17.99.1186
<b>EAN (single piece)</b>	7630049634435



**This VALUE TV Ceiling Mount is tiltable and is therefore suitable for mounting on sloping ceilings. The mount is also swiveling as well as height-adjustable and supports 17"-37" monitors weighing up to 20 kg.**

- Suitable for ceiling mounting and sloping ceilings
- For monitors with VESA 75x75, 100x100, 200x100, 200x200
- For screen sizes 43.18 - 93.98 cm (17" - 37")
- Load capacity: 20 kg
- Profile: 85 mm (3.3")
- Tilt Range: 0° to -90°
- Swivel Range: +45° to -45°
- Max. mounting hole: 200 x 200
- Dimensions (H x W x D): 400 x 220 x 165 mm

## Technical specifications

Manufacturer	VALUE
Product group	LCD-Monitor arms
Product type	Monitor Arms, Wall Mount
Colour	black
Scope of delivery	TV Ceiling Mount, Mounting Material, User Manual

Maximum weight capacity	20 kg
Fixing	Ceiling Mount
Maximal arm length	400 mm
Inclinable	yes
Height adjustable	yes
Rotatable	yes
Wall distance	85 mm
Number of monitors	1
Max. Screen diagonal (cm)	93.98 cm
Max. Screen diagonal (inch)	37 inch
Min. Screen diagonal (cm)	43.18 cm
Min. Screen diagonal (inch)	17 inch
VESA 75 x 75 mm	yes
VESA 100 x 100 mm	yes
VESA 200 x 100 mm	yes
VESA 200 x 200 mm	yes
Material group	metal
Height	400 mm
Width	220 mm
Depth	165 mm
Weight	1720 g
Height of packaging (single piece)	90 mm
Width of packaging (single piece)	230 mm
Depth of packaging (single piece)	330 mm

Package weight (single piece) 2 kg