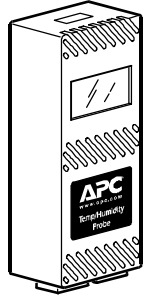


Temperature and Humidity Sensor Installation Sheet

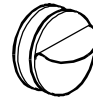
Inventory



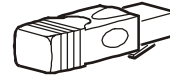
Temperature and Humidity Sensor with Display or Temperature Sensor with Display (1)



#6 x 3/4-in Phillips self-tapping screws (4)



Hook-and-loop fasteners (2)



Terminator (1)

Install the sensor

1. Find a suitable location to mount the sensor, such as an area that contains mixed, moving air.



Note: Avoid installing the sensor near an area that could cause an inaccurate reading, such as near air ducts, windows, exterior walls, or room entrances.

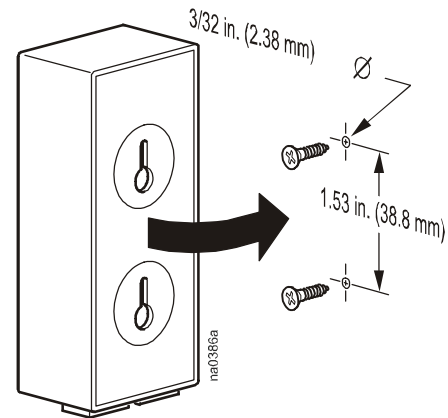
2. Mount the sensor using screws or hook-and-loop fasteners:

– *Using screws:*

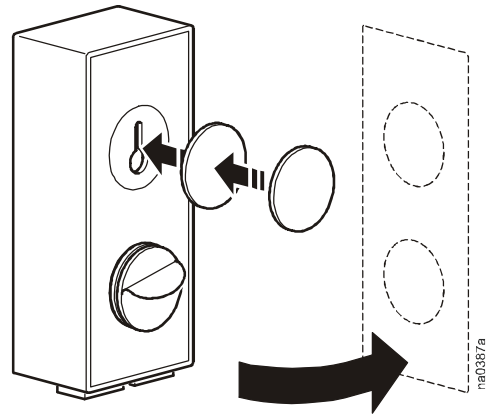
Mark and drill two holes, 3/32 in (2.38 mm) in diameter and 1.53 in (38.8 mm) apart.



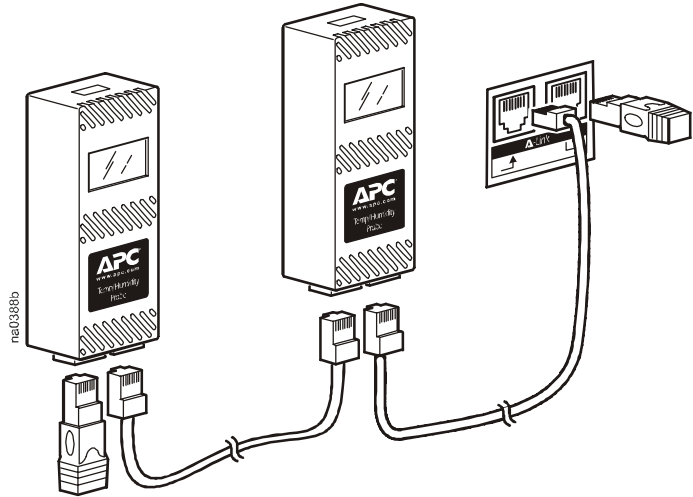
Warning: Before drilling, check for unexposed wiring behind the drilling surface.



- *Using hook-and-loop fasteners:*
Clean the mounting surface so that it is free of dust, oils, and moisture. Install the sensor using both hoop-and-loop fasteners. Hold them in place for five seconds to ensure a firm adhesion.

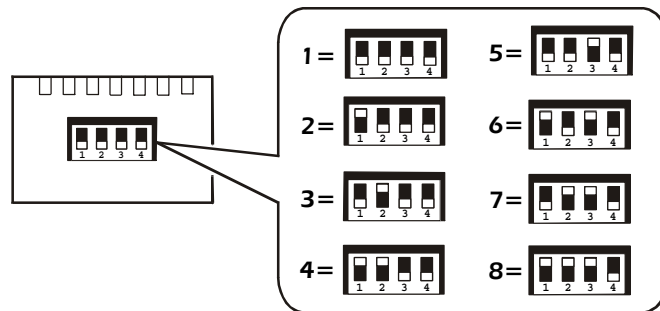


3. Route a cable from the sensor to the device that will monitor the sensor.
When using more than one sensor:
Route a cable from one sensor to the next. Each connection on the sensor should have either a CAT 5 cable or a terminator (0W04161) (provided).



Set the A-Link address

Set the DIP switches on each sensor to a unique A-Link address.



See the documentation provided with the monitoring device for A-Link addresses. Each sensor must be set with a unique A-Link address. Some addresses are reserved for use by the monitoring device. The addresses for sensors will vary depending on the monitoring device to which they are connected.

Screen menus

At three-second intervals, the display scrolls through two screens (for AP9520T) or three screens (for AP9520TH).

Specifications

Electrical

Operating Voltage	24 VDC nominal
Operating Current	10 mA (max)
Temperature Accuracy*	± 1.8° F (1.0°C)
Temperature Drift*	± 0.36° F (0.2° C)/over life of unit
Humidity Accuracy (AP9520TH) *	± 3.0% RH @ 25°C
Humidity Drift (AP9520TH) *	± 1.0% RH/5 years

* In airflow of >100 ft/min.

Physical

Size (H × W × D)	3.9 × 1.7 × 1.1 in 10.0 × 4.35 × 2.75 cm
Weight	2.7 oz (76 g)

Environmental

Elevation	
Operating	0 to 10,000 ft (0 to 3000 m)
Storage	0 to 50,000 ft (0 to 15 000 m)
Temperature	
Operating	-4 to 140°F (-20 to 60°C)
Storage	-40 to 176°F (-40 to 80°C)

Approvals

EMC Verification	AS/NZS CISPR 22 (C-Tick) Class A, CE, EN 55022 Class A, EN 55024, FCC Part 15 Class A, ICES-003, VCCI
------------------	--

Radio Frequency Interference



Warning: Changes or modifications to this unit not expressly approved by the party responsible for compliance could void the user's authority to operate this equipment.

USA—FCC

This equipment has been tested and found to comply with the limits for a Class A digital device, pursuant to part 15 of the FCC Rules. These limits are designed to provide reasonable protection against harmful interference when the equipment is operated in a commercial environment. This equipment generates, uses, and can radiate radio frequency energy and, if not installed and used in accordance with this user manual, may cause harmful interference to radio communications. Operation of this equipment in a residential area is likely to cause harmful interference. The user will bear sole responsibility for correcting such interference.

Canada—ICES

This Class A digital apparatus complies with Canadian ICES-003.

Cet appareil numérique de la classe A est conforme à la norme NMB-003 du Canada.

Japan—VCCI

This is a Class A product based on the standard of the Voluntary Control Council for Interference by Information Technology Equipment (VCCI). If this equipment is used in a domestic environment, radio disturbance may occur, in which case, the user may be required to take corrective actions.

この装置は、情報処理装置等電波障害自主規制協議会（VCCI）の基準に基づくクラス A 情報技術装置です。この装置を家庭環境で使用すると、電波妨害を引き起こすことがあります。この場合には、使用者が適切な対策を講ずるように要求されることがあります。

Entire contents copyright 2006 American Power Conversion Corporation. All rights reserved.

Reproduction in whole or in part without permission is prohibited. APC, the APC logo, and InfraStruXure are trademarks of American Power Conversion Corporation. All other trademarks, product names, and corporate names are the property of their respective owners and are used for informational purposes only.

