




\* All images in this datasheet are for illustrative purposes only.

**UHD Signage** UH5J-H

# New High Haze UHD Standard Signage




UH5J-H	
Screen Size	98" / 86" / 75" / 65" / 55" / 49" / 43"
Native Resolution	3,840 × 2,160 (UHD)
Bezel Color	Black
Brightness	500 nit (Typ.)
Bezel	98" / 75" : 14.9 mm (Even bezel) 86" : 14.3 mm (Even bezel) 65" / 55" / 49" : 9.9 mm (T/R/L), 14.4 mm (B) 43" : 8.4 mm (T/R/L), 14.4 mm (B)
Depth	98" : 86.1 mm 86" : 60.6 mm 75" : 57.9 mm 65" / 55" / 49" / 43" : 39.9 mm

 Proper Display Brightness

 webOS Smart Platform

 Mobile Content Management

 Meeting Room Solution



## IP5x Certified Design

The IP5x Dust-Proof Certification ensures that the product is protected from dust, reducing the risk of performance degradation.



## Compatible with AV Control System

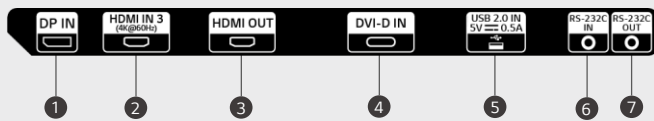
The UH5J-H series has supported Crestron Connected® for high compatibility with professional AV controls to achieve seamless integration and automated control\*, boosting business management efficiency.

\* Network based control

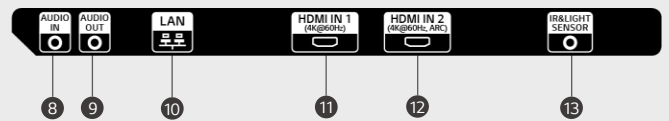
## CONNECTIVITY

98"

Side

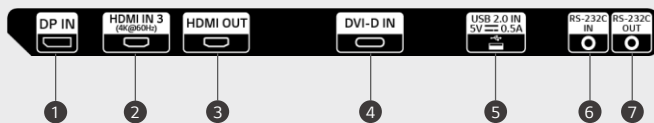


Bottom

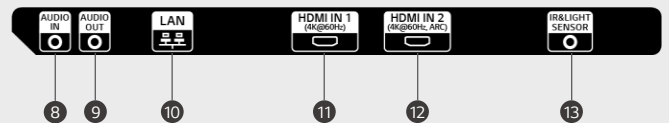


86" / 75"

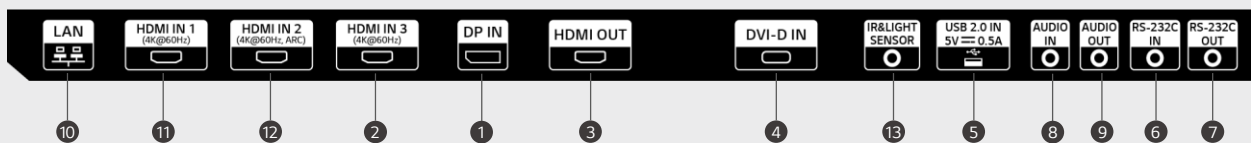
Side



Bottom



65" / 55" / 49" / 43"

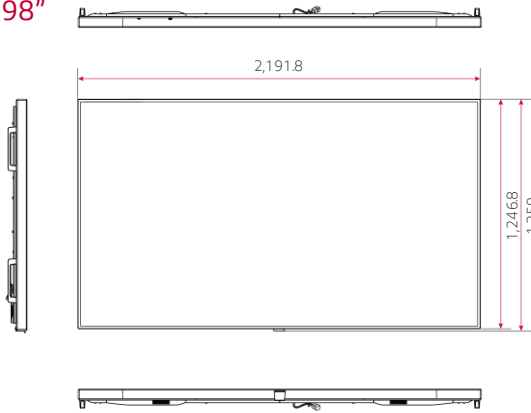


- |             |              |               |                   |
|-------------|--------------|---------------|-------------------|
| ① DP IN     | ④ DVI-D IN   | ⑦ RS-232C OUT | ⑩ LAN             |
| ② HDMI IN 3 | ⑤ USB 2.0 IN | ⑧ AUDIO IN    | ⑪ HDMI IN 1       |
| ③ HDMI OUT  | ⑥ RS-232C IN | ⑨ AUDIO OUT   | ⑫ HDMI IN 2       |
|             |              |               | ⑬ IR&LIGHT SENSOR |

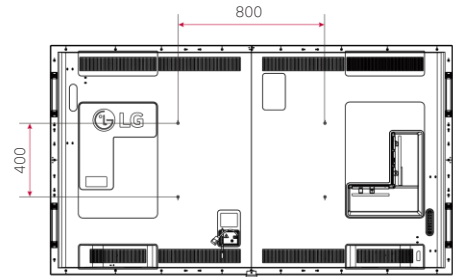
\* Jack Panels may differ from the above image, so please contact LG sales team to verify before ordering.

## DIMENSION (unit: mm)

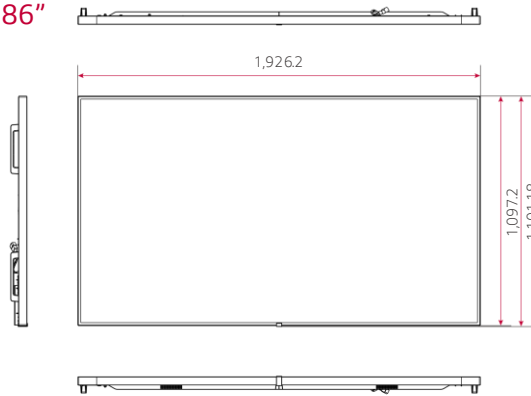
98"



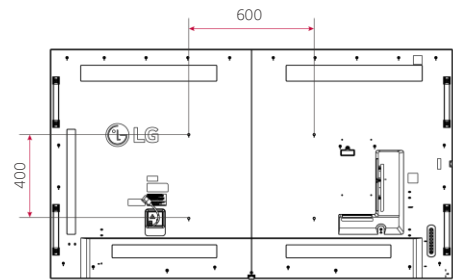
73.7



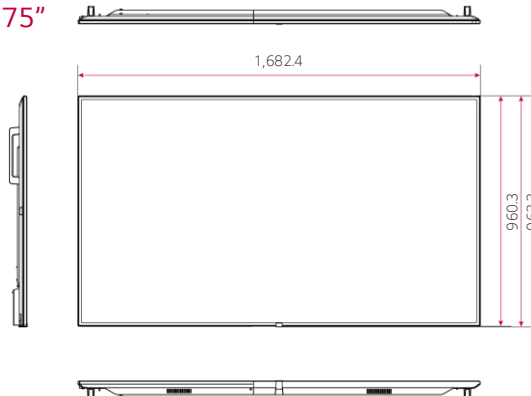
86"



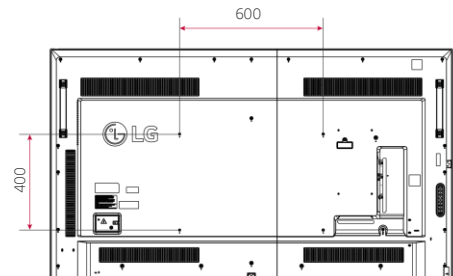
40.8



75"

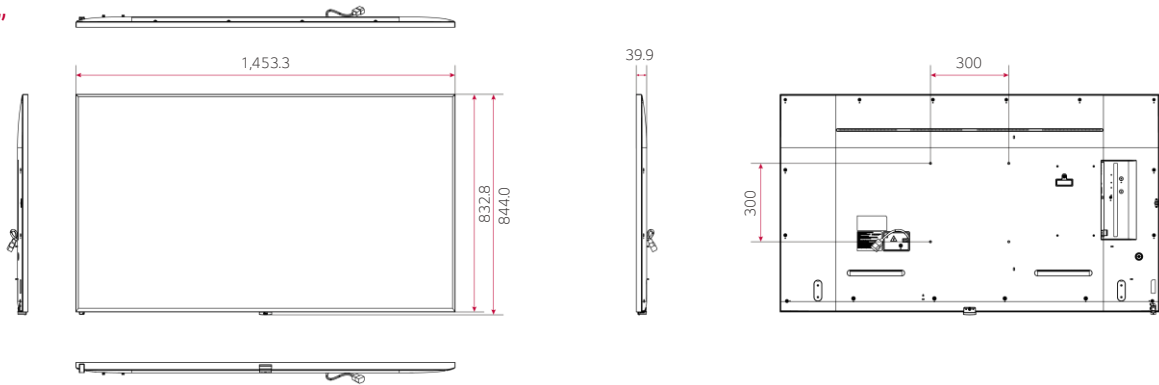


31.9

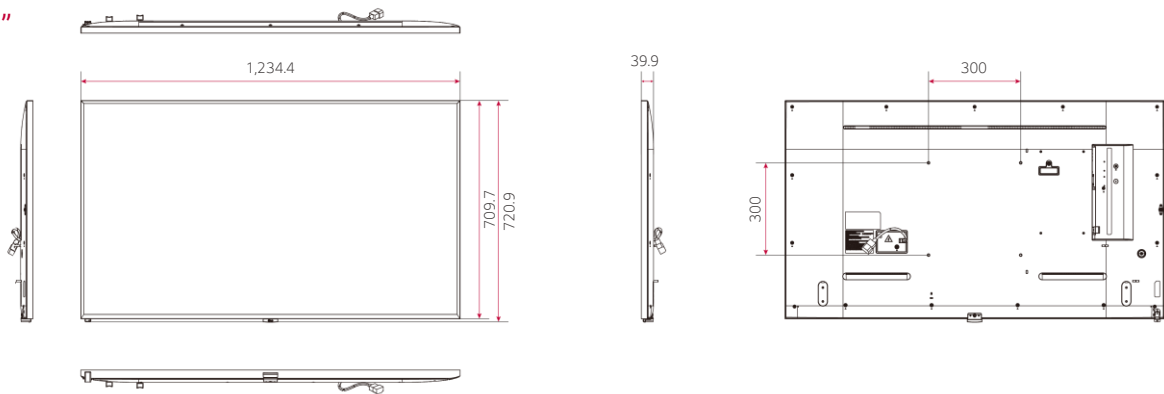


## DIMENSION (unit: mm)

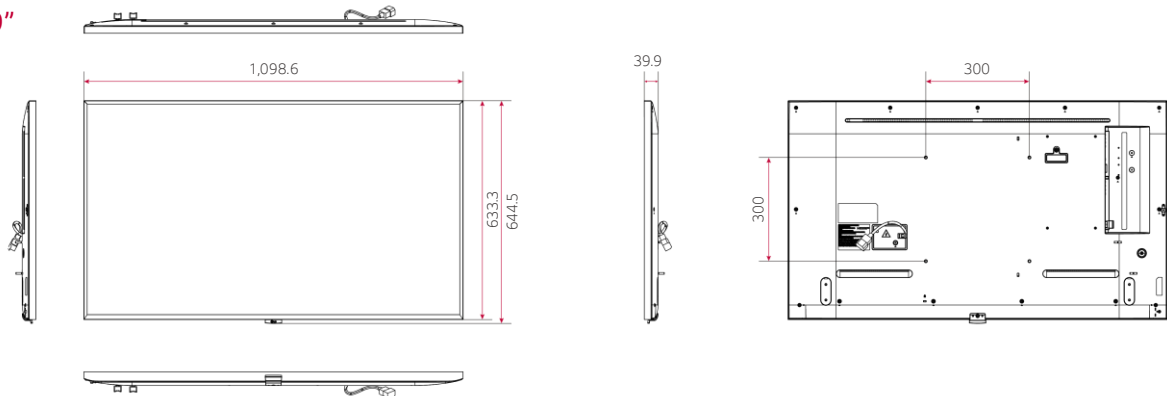
65"



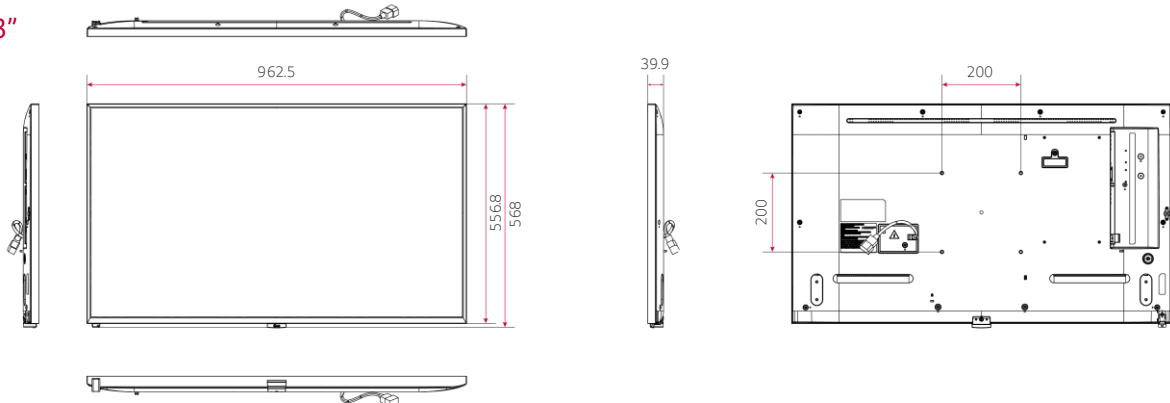
55"



49"



43"



\* Dimensions may differ from the above image, so please contact LG sales team to verify before ordering.

## SPECIFICATIONS

	98UH5J-H	86UH5J-H	75UH5J-H	65UH5J-H	55UH5J-H	49UH5J-H	43UH5J-H	
Panel	Screen Size	98"	86"	75"	65"	55"	49"	43"
	Panel Technology	IPS	IPS	IPS	IPS	IPS	IPS	IPS
	Back Light Type	Direct	Edge	Edge	Edge	Edge	Edge	Edge
	Aspect Ratio	16:9	16:9	16:9	16:9	16:9	16:9	16:9
	Native Resolution	3,840 × 2,160 (UHD)	3,840 × 2,160 (UHD)	3,840 × 2,160 (UHD)	3,840 × 2,160 (UHD)	3,840 × 2,160 (UHD)	3,840 × 2,160 (UHD)	3,840 × 2,160 (UHD)
	Refresh Rate	60 Hz	120 Hz	120 Hz	60 Hz	60 Hz	60 Hz	60 Hz
	Brightness	500 nit (Typ.)	500 nit (Typ.)	500 nit (Typ.)	500 nit (Typ.)	500 nit (Typ.)	500 nit (Typ.)	500 nit (Typ.)
	Contrast Ratio	1,200 : 1	1,100 : 1	1,100 : 1	1,100 : 1	1,100 : 1	1,100 : 1	1,200 : 1
	Dynamic CR <sup>1)</sup>	1,000,000 : 1	1,000,000 : 1	1,000,000 : 1	1,000,000 : 1	1,000,000 : 1	1,000,000 : 1	1,000,000 : 1
	Color Gamut	NTSC 72%	NTSC 72%	NTSC 72%	BT709 95%	BT709 95%	BT709 95%	BT709 95%
	Viewing Angle (H × V)	178 × 178	178 × 178	178 × 178	178 × 178	178 × 178	178 × 178	178 × 178
	Color Depth	1.07 Billion Colors (10 bit)	1.07 Billion Colors (10 bit (D))	1.07 Billion Colors (10 bit (D))	1.07 Billion Colors (10 bit (D))	1.07 Billion Colors (10 bit (D))	1.07 Billion Colors (10 bit (D))	1.07 Billion Colors (8 bit + FRC)
	Response Time	8 ms (G to G)	8 ms (G to G)	6 ms (G to G)	8 ms (G to G)	8 ms (G to G)	8 ms (G to G)	8 ms (G to G)
	Surface Treatment (Haze)	28%	28%	28%	28%	28%	28%	25%
	Life time	50,000 Hrs (Typ.)	50,000 Hrs (Typ.)	50,000 Hrs (Typ.)	50,000 Hrs (Min.)	50,000 Hrs (Min.)	50,000 Hrs (Min.)	50,000 Hrs (Min.)
	Operation Hours (Hours/Day)	24 / 7	24 / 7	24 / 7	24 / 7	24 / 7	24 / 7	24 / 7
Portrait / Landscape	Yes / Yes	Yes / Yes	Yes / Yes	Yes / Yes	Yes / Yes	Yes / Yes	Yes / Yes	
Connectivity	Input	HDMI (2, HDCP 2.2/1.4), HDMI (HDCP 1.4), DP (HDCP 2.2/1.3), DVI-D (HDCP 1.4), Audio In, RS-232C In (4 Pin Phone-jack), RJ45 (LAN), IR In, USB 2.0 (2, Type A)						
	Output	HDMI Out, Audio Out, External Control (RS-232C Out (4 Pin Phone-jack))						
Mechanical Specification	Bezel Color	Black	Black	Black	Black	Black	Black	Black
	Bezel Width	14.9 mm (Even Bezel)	14.3 mm (Even Bezel)	14.9 mm (Even Bezel)	9.9 mm (T/R/L), 14.4 mm (B)	9.9 mm (T/R/L), 14.4 mm (B)	9.9 mm (T/R/L), 14.4 mm (B)	8.4 mm (T/R/L), 14.4 mm (B)
	Weight (Head)	66 kg	49 kg	41.5 kg	28.2 kg	19 kg	15.4 kg	11.2 kg
	Weight (Head + Stand)	-	-	-	28.8 kg	19.6 kg	16 kg	11.8 kg
	Packed Weight	99 kg	72.5 kg (With Pallet)	51.2 kg	35 kg	24.2 kg	18.8 kg	13.7 kg
	Monitor Dimensions (W × H × D)	2,191.8 × 1,246.8 × 86.1 mm (without Handle and LG Logo)	1,926.2 × 1,097.2 × 60.6 mm (without Handle and LG Logo)	1,682.4 × 960.3 × 57.9 mm (without Handle and LG Logo)	1,453.3 × 844 × 39.9 mm (with LG Logo)	1,234.4 × 720.9 × 39.9 mm (with LG Logo)	1,098.6 × 644.5 × 39.9 mm (with LG Logo)	962.5 × 568 × 39.9 mm (with LG Logo)
	Monitor Dimensions with Stand (W × H × D)	-	-	-	1,453.3 × 893.1 × 290.0 mm	1,234.4 × 770.7 × 290.0 mm	1,098.6 × 694.3 × 290.0 mm	962.5 × 613.1 × 290.0 mm
	Carton Dimensions (W×H×D) (Box Outer Size)	2,342 × 1,386 × 420 mm	2,037 × 1,250 × 285 mm	1,816 × 1,126 × 228 mm	1,600 × 1,095 × 175 mm	1,360 × 835 × 175 mm	1,197 × 775 × 162 mm	1,060 × 660 × 152 mm
	Handle	Yes	Yes	Yes	No	No	No	NO
	VESA™ Standard Mount Interface	800 × 400 mm	600 × 400 mm	600 × 400 mm	300 × 300 mm	300 × 300 mm	300 × 300 mm	200 × 200 mm
Key Feature	Internal Memory 16 GB, Built-in Wi-Fi, Sensor (Temperature Sensor, Auto Brightness Sensor, Acceleration (Gyro) Sensor), Local Key Operation, webOS 6.0, Embedded CMS (Local Contents Scheduling, Group Manager), USB Plug & Play, Fail Over, Background Image (Booting Logo Image, No Signal Image), Sync Mode (RS-232C Sync, Local Network Sync), Multi-screen (PIP, PBP (4)), Screen Share, Video Tag (4), Play via URL, Rotation (Screen Rotation, External Input Rotation), Gapless Playback, Tile Mode Setting (Max. 15 × 15), Setting Data Cloning, SNMP, ISM Method, Auto Set ID, Status Mailing, Control Manager, 3 <sup>rd</sup> Party Compatibility (Crestion Connected <sup>®2)</sup> ), Power (Smart Energy Saving, PM Mode, Wake on LAN, Network Ready (Except 98"/86"/75")), Beacon, HDMI-CEC <sup>3)</sup> , SI Server Setting, webRTC, ProIdiom							
	Environment Conditions							
Power	Operation Temperature	0°C to 40°C	0°C to 40°C	0°C to 40°C	0°C to 40°C	0°C to 40°C	0°C to 40°C	0°C to 40°C
	Operation Humidity	10% to 80%	10% to 80%	10% to 80%	10% to 80%	10% to 80%	10% to 80%	10% to 80%
Power Consumption	Power Supply	AC 100-240V ~, 50/60Hz	AC 100-240V ~, 50/60 Hz	AC 100-240V ~, 50/60 Hz	AC 100-240V ~, 50/60 Hz	AC 100-240V ~, 50/60 Hz	AC 100-240V ~, 50/60Hz	AC 100-240V ~, 50/60Hz
	Power Type	Built-in Power	Built-in Power	Built-in Power	Built-in Power	Built-in Power	Built-in Power	Built-in Power
	Typ. / Max.	420 W / 570 W (TDB)	215 W / 280 W (TDB)	180 W / 260 W (TDB)	130 W / 190 W	110 W / 150 W	1000 W / 140 W	80 W / 120 W
	BTU (British Thermal Unit)	1,433 BTU/Hr (Typ.), 1,945 BTU/Hr (Max) (TDB)	733.69 BTU/Hr (Typ.), 955.5 BTU/Hr (Max) (TDB)	614.25 BTU/Hr (Typ.), 887.25 BTU/Hr (Max) (TDB)	444 BTU/Hr (Typ.), 649 BTU/Hr (Max)	376 BTU/Hr (Typ.), 512 BTU/Hr (Max)	342 BTU/Hr (Typ.), 478 BTU/Hr (Max)	273 BTU/Hr (Typ.), 410 BTU/Hr (Max)
	Smart Energy Saving	294 W (TDB)	150.5 W (TDB)	126 W (TDB)	91 W	77 W	70 W	56 W
	DPM	0.5 W	0.5 W	0.5 W	0.5 W	0.5 W	0.5 W	0.5 W
Sound	Power off	0.5 W	0.5 W	0.5 W	0.5 W	0.5 W	0.5 W	0.5 W
	Speaker	Yes	Yes	Yes	Yes	Yes	Yes	Yes
Certification	Safety	CB / NRTL	CB / NRTL	CB / NRTL	CB / NRTL	CB / NRTL	CB / NRTL	CB / NRTL
	EMC	FCC Class "A" / CE / KC	FCC Class "A" / CE / KC	FCC Class "A" / CE / KC	FCC Class "A" / CE / KC	FCC Class "A" / CE / KC	FCC Class "A" / CE / KC	FCC Class "A" / CE / KC
OPS Compatibility	ErP / Energy Star	Yes (NewErP) / No (TDB)	Yes (NewErP) / No (TDB)	Yes (NewErP) / Yes (TDB)	Yes (NewErP) / Yes	Yes (NewErP) / Yes	Yes (NewErP) / Yes	Yes (NewErP) / Yes
	OPS Type Compatible	No	Yes	Yes	Yes	Yes	Yes	Yes
Software Compatibility	OPS Power Built-in	No	No	No	No	No	No	No
	SuperSign CMS, SuperSign Control / Control+, SuperSign WB, SuperSign Media Editor, Promota (Not Available for EU/CIS), Mobile CMS, LG ConnectedCare <sup>4)</sup>							
Language	English, French, German, Spanish, Italian, Korean, Chinese (Simplified), Chinese (Original), Portugues (Brazil), Swedish, Finnish, Norwegian, Danish, Russian, Japanese, Portugues (Europe), Dutch, Czech, Greek, Turkish, Arabic							
	Accessory							
Special Feature	Basic	Remote Controller, Power Cord, QSG, Regulation Book, Phone to RS-232C Gender						
	Optional	-	OPS Kit (KT-OPSP), LSW640A/B (Wall Mount)	Stand(ST-653T), Wall Bracket(LSW350B), OPS Kit(KT-OPSP)				
	Overlay Touch Compatibility	No	No	No	No	No	No	No
IP Rating	Tilt (Facedown)	-	-	-	Yes (Max. 30°) <sup>5)</sup>	Yes (Max. 30°) <sup>5)</sup>	Yes (Max. 30°) <sup>5)</sup>	Yes (Max. 15°) <sup>5)</sup>
	IP Rating	-	-	-	IP5X	IP5X	IP5X	IP5X

<sup>1)</sup> The luminosity ratio of Full Black / Full White color on video input condition.

<sup>2)</sup> Network based control.

<sup>3)</sup> Compatibility may differ by equipment.

<sup>4)</sup> The availability can differ by region.

<sup>5)</sup> In conditions within 30°C temperature, 50% humidity.

\* Specifications are subject to change without notice. Please make sure to check the product manual for details about product usage.



Download  
LG C-Display+  
Mobile App  
Google Play Store

www.lg.com/global/business/information-display  
www.youtube.com/c/LGCommercialDisplay  
www.facebook.com/LGInformationDisplay  
www.linkedin.com/company/LGinformationdisplay  
twitter.com/LG\_ID\_HQ

LG may make changes to specifications and product descriptions without notice. Copyright © 2022 LG Electronics Inc. All rights reserved. "LG Life's Good" is a registered trademark of LG Corp. The names of products and brands mentioned here may be the trademarks of their respective owners.