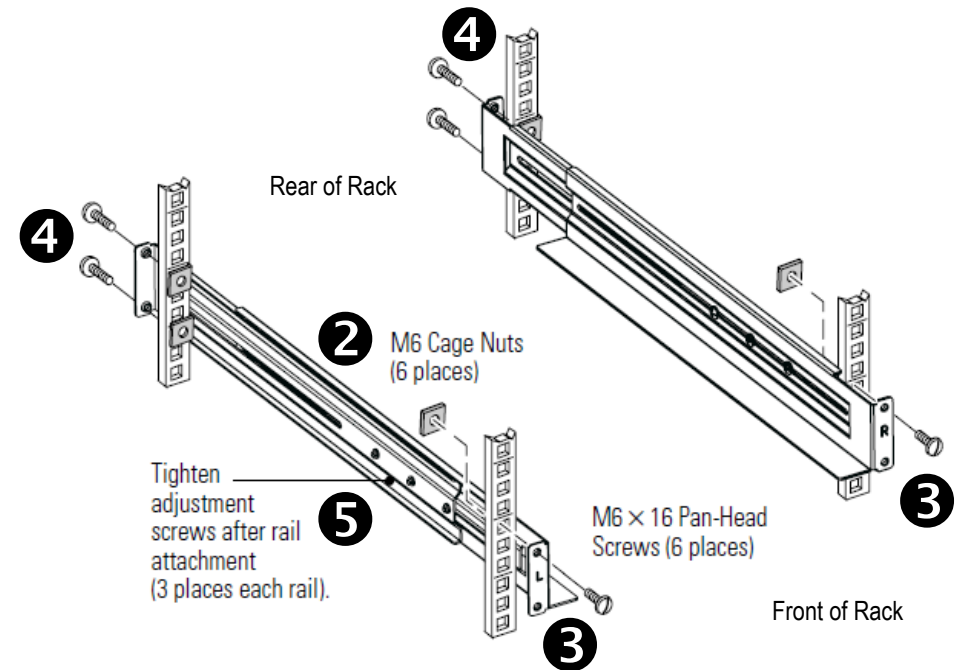
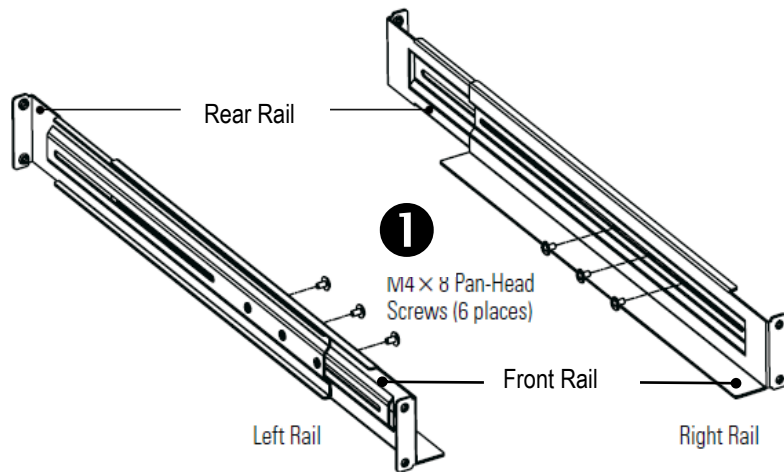


# Installation Guide Rack-Kit



- 1 Combine front rail with rear rail (2x), use 6x pan head screws M4 x 8, do not tighten.
- 2 Select mounting holes in the rack, mount 6x cage nuts (2x front and 4x rear).
- 3 Attach front rail with each 1x pan head screw M6 x 16 (mounting hole on the top) to the rack (front).
- 4 Attach rear rail with each 2x pan head screw M6 x 16 to the rack (rear).
- 5 Tightens up pan head screws M4 x 8.

ONLINE USV-Systeme AG  
Luise-Ullrich-Str. 8, D-82031Grünwald, Deutschland

Phone +49 (89) 2423990-10  
Fax +49 (89) 2423990-20  
www.online-usv.de

ONLINE UPS-Systems S.r.l.  
Via Ferruccio Gilera 110, I-20862 Arcore (MB), Italy

Phone +39 (039) 2051444  
Fax +39 (039) 2051435  
www.online-ups.it

ONLINE USV-Systeme AG  
Eigenheimstraße 11, CH-8304 Wallisellen (Zürich), Switzerland

Phone +41 (44) 9452829  
Fax +41 (44) 9453288  
www.online-usv.ch