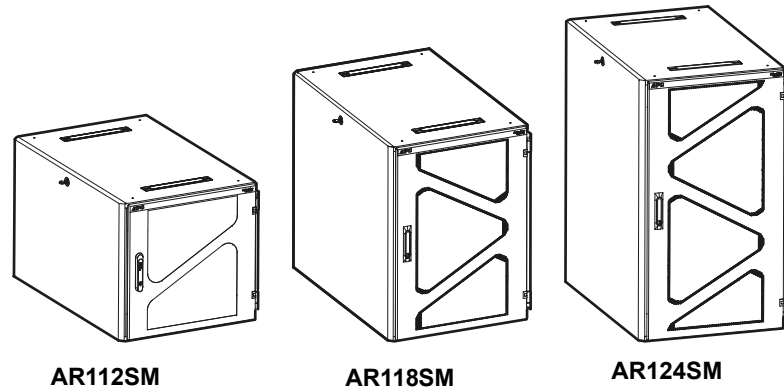




NetShelter[®] UPS Depth Wall-Mount Enclosures

Guide for Receiving and Unpacking



IMPORTANT SAFETY INSTRUCTIONS

⚠ WARNING

HEAVY EQUIPMENT/TIP HAZARD

- The enclosure is easily tipped. Use caution when unpacking or moving.
- At least two people are required to unpack the enclosure.
- Use a pallet jack or forklift to move the enclosure while it is still on its shipping pallet.
- Wear appropriate personal protective equipment (PPE) and follow safe work practices.

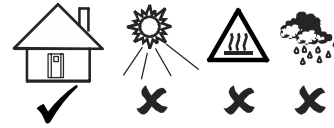
Failure to follow these instructions can result in death or serious injury.

Receiving



- Before unpacking the shipment, carefully inspect the exterior of the shipment immediately upon receipt.
- Once you have unpacked the enclosure, carefully inspect it for visible signs of shipping damage.
- If you detect shipping damage, contact your shipping company and APC Customer Support at www.apc.com.
- Moving the equipment

Storage



NOTICE

Store the enclosure indoors in a temperature controlled environment.

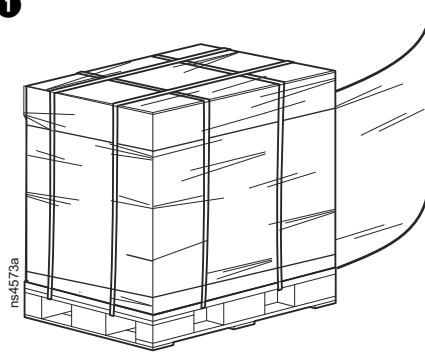
Unpacking



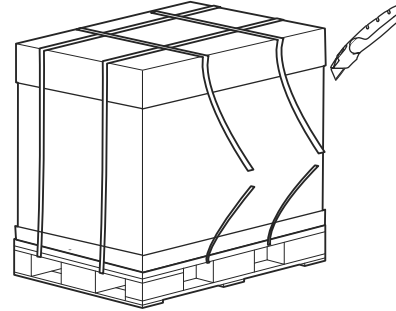
The shipping materials are recyclable. Save them for later use, or dispose of them appropriately.

1. Cut the plastic outer cover and remove it.
2. Cut the bands securing the remaining packaging materials.

1

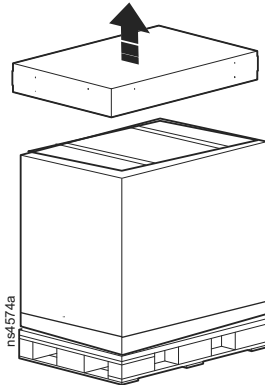


2

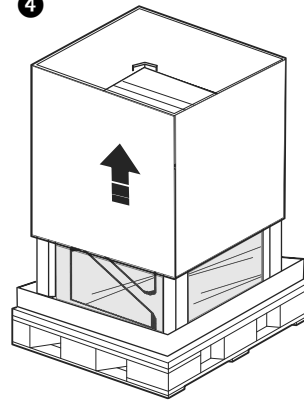


3. Remove the cardboard cover.
4. Lift and remove the cardboard container.

3

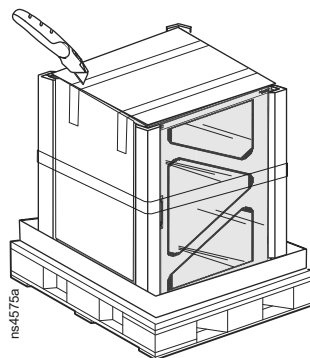


4

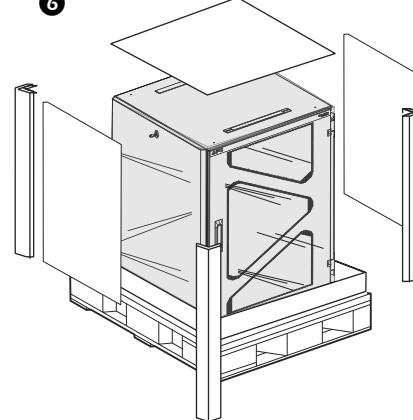


5. Cut the tape securing the corner braces and padding.
6. Remove the padding and corner braces.

5

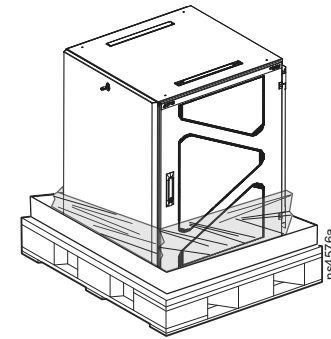


6

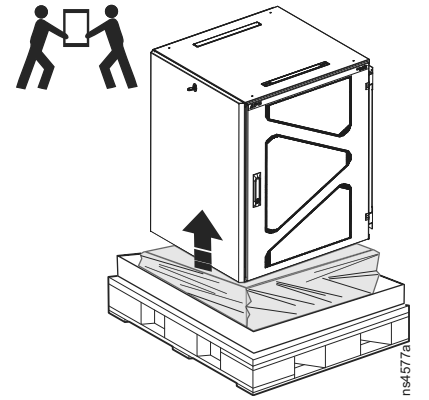


7. Pull the plastic bag down to access the NetShelter UPS Depth Wall-Mount Enclosure.
8. Remove the NetShelter UPS Depth Wall-Mount Enclosure.

7



8



Model	U Space	Height	Width	Depth
AR112SM	12 U	622 mm (24.5 in)	644 mm (26.1 in)	1,037 mm (40.8 in)
AR118SM	18 U	889 mm (35.0 in)	644 mm (26.1 in)	1,037 mm (40.8 in)
AR124SM	24 U	1,156 mm (45.5 in)	644 mm (26.1 in)	1,037 mm (40.8 in)
1U = 44.45 mm (1.75 in.)				

3/2024

990-900014

© 2024 Schneider Electric. All rights reserved.

Customer support and warranty information is available at www.apc.com

Worldwide Customer Support

Additional Documentation



www.go2se.com/ref=AR124SM