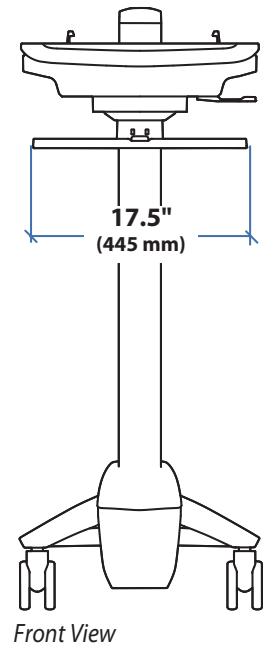
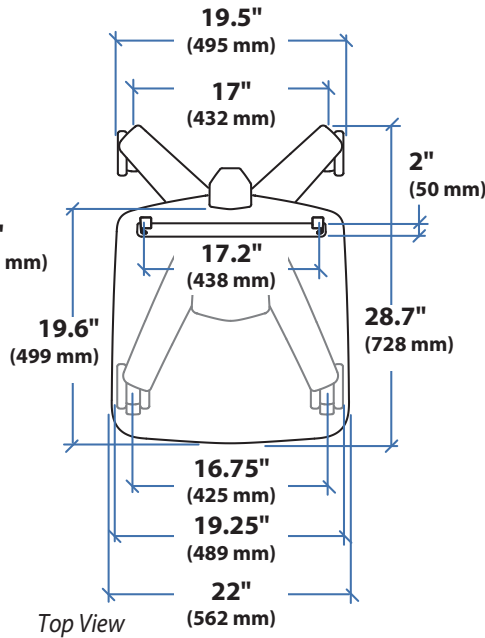
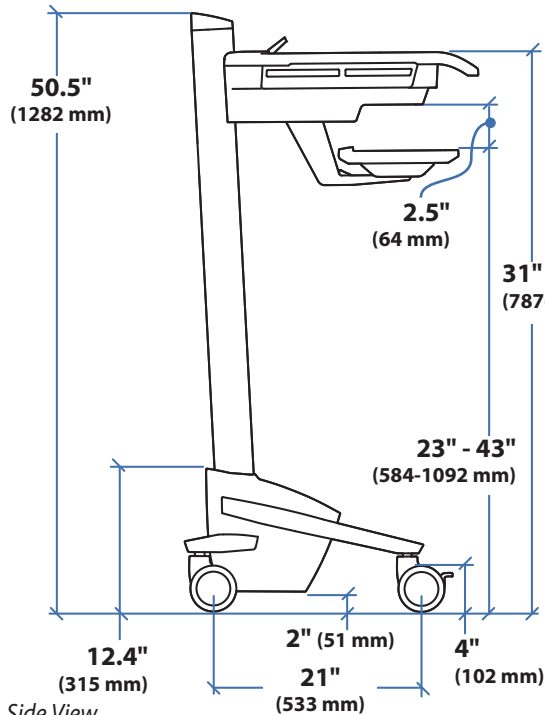


Ergotron® StyleView Cart

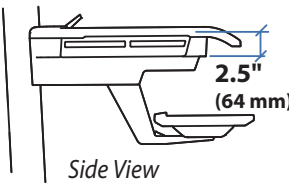
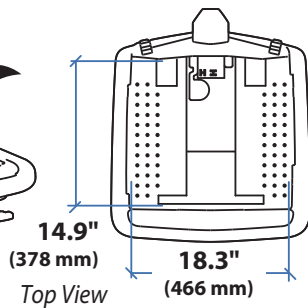
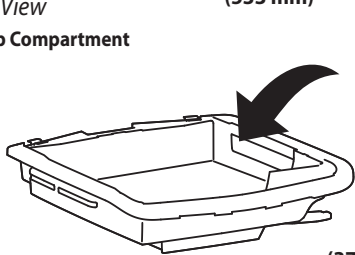
Dimensional Illustrations

StyleView® EMR Laptop Cart, SV40

Dimensions

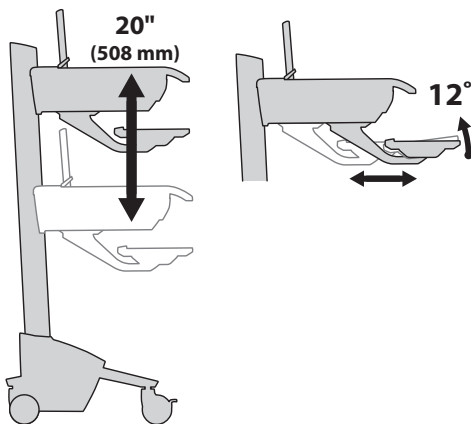


Laptop Compartment



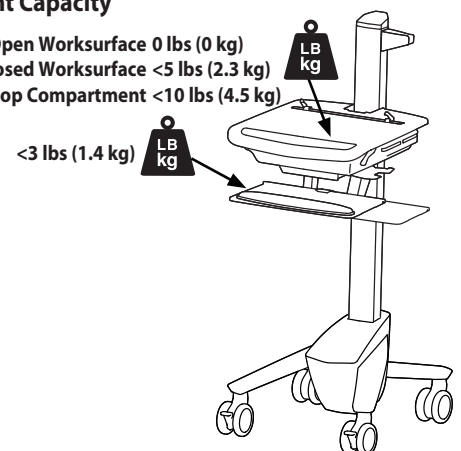
When figuring dimensions, include mounted accessories, protruding cables and port replicators or docking stations.

Range of Motion



Weight Capacity

- Open Worksurface 0 lbs (0 kg)
- Closed Worksurface <5 lbs (2.3 kg)
- Laptop Compartment <10 lbs (4.5 kg)



© 2012 Ergotron, Inc. rev. 05/03/2012 DIM-SV4X-EMR-NORO Content is subject to change without notification

Americas Sales and Corporate Headquarters

St. Paul, MN USA
(800) 888-8458
+1-651-681-7600
www.ergotron.com
sales@ergotron.com

EMEA Sales

Amersfoort, The Netherlands
+31 33 45 45 600
www.ergotron.com
info.eu@ergotron.com

APAC Sales

Tokyo, Japan
www.ergotron.com
apaccustomerservice@ergotron.com

Worldwide OEM Sales

www.ergotron.com
info.oem@ergotron.com

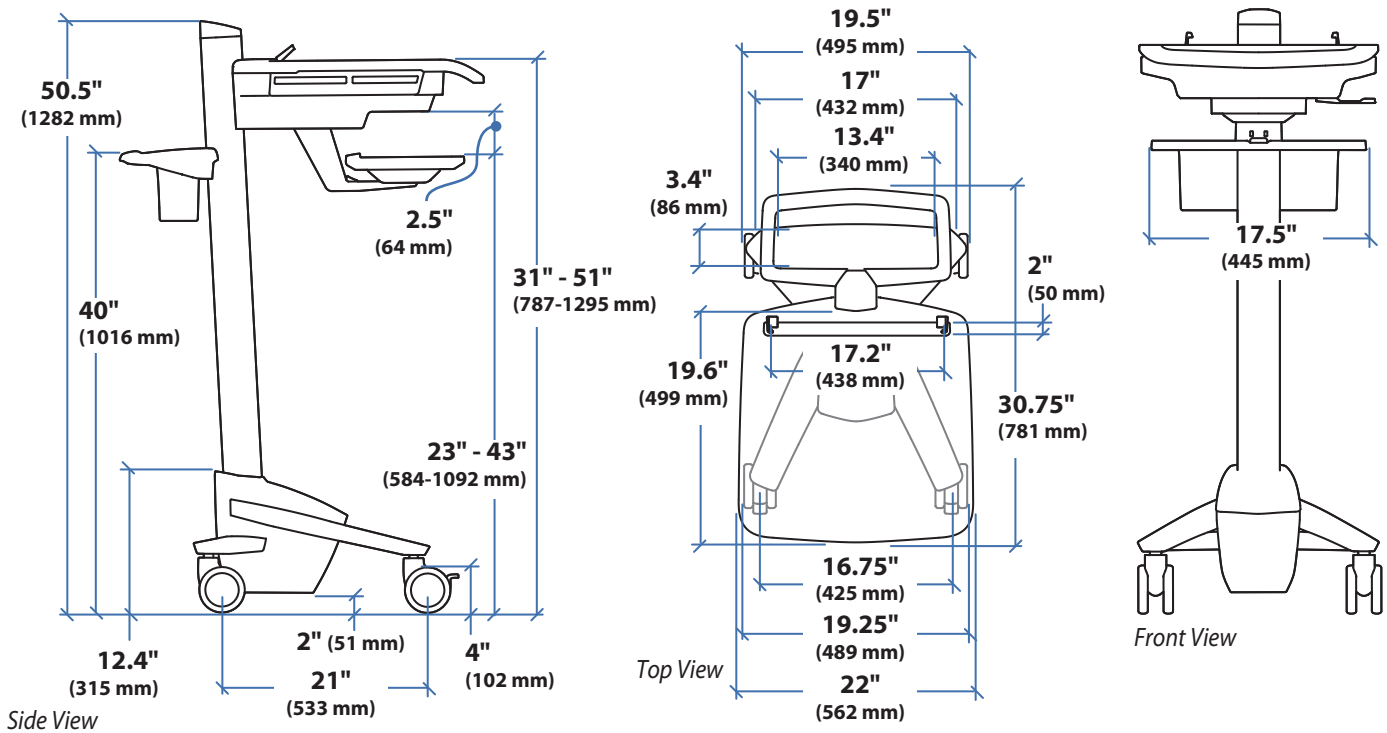


Ergotron® StyleView Cart

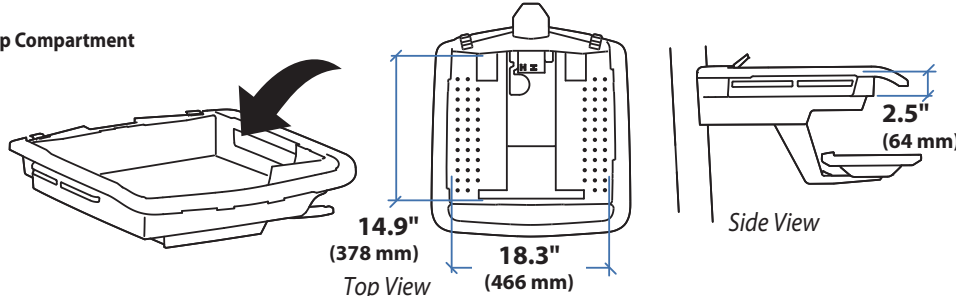
Dimensional Illustrations

StyleView® EMR Laptop Cart

Dimensions

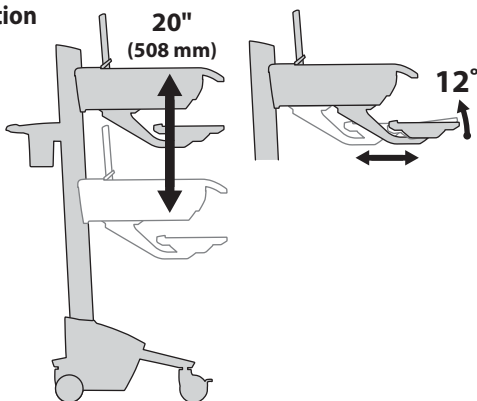


Laptop Compartment



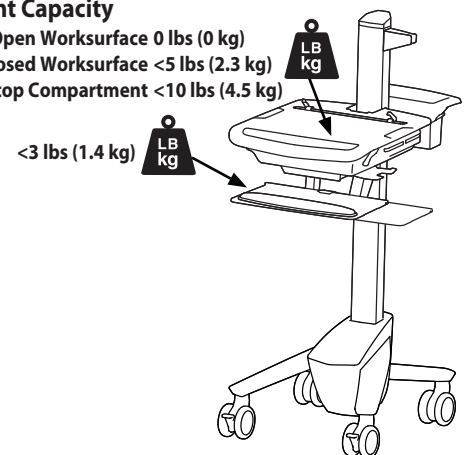
When figuring dimensions, include mounted accessories, protruding cables and port replicators or docking stations.

Range of Motion



Weight Capacity

- Open Worksurface 0 lbs (0 kg)
- Closed Worksurface <5 lbs (2.3 kg)
- Laptop Compartment <10 lbs (4.5 kg)



© 2012 Ergotron, Inc. rev. 05/03/2012 DIM-SV4X-EMR-NORO Content is subject to change without notification

Americas Sales and Corporate Headquarters

St. Paul, MN USA
 (800) 888-8458
 +1-651-681-7600
 www.ergotron.com
 sales@ergotron.com

EMEA Sales

Amersfoort, The Netherlands
 +31 33 45 45 600
 www.ergotron.com
 info.eu@ergotron.com

APAC Sales

Tokyo, Japan
 www.ergotron.com
 apaccustomerservice@ergotron.com

Worldwide OEM Sales

www.ergotron.com
 info.oem@ergotron.com

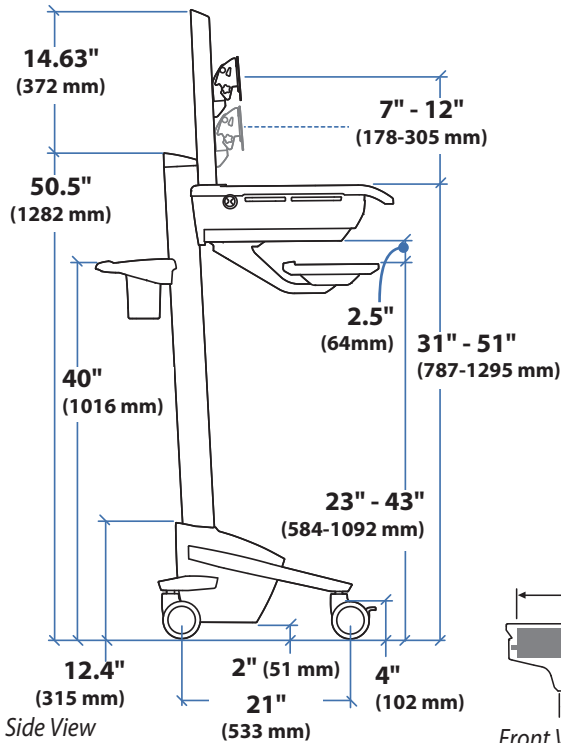


Ergotron® StyleView Cart

Dimensional Illustrations

StyleView® EMR Cart with LCD Pivot

Dimensions

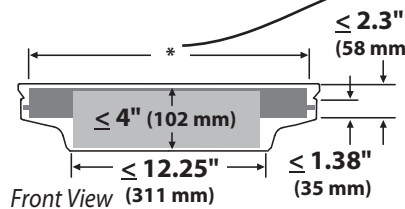


Side View

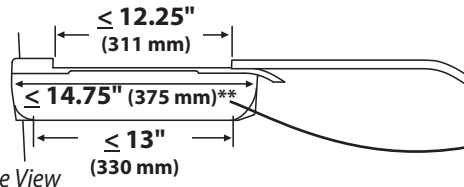
CPU Compartment



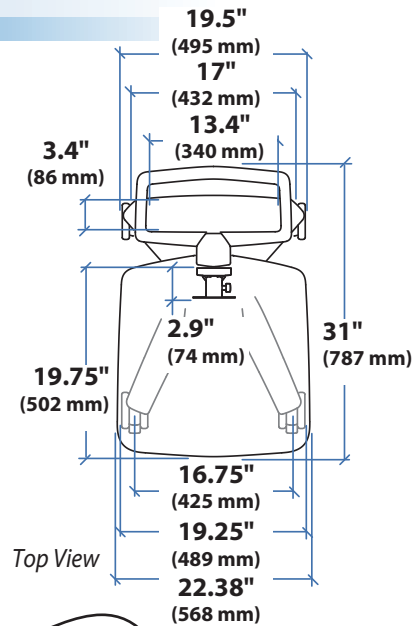
When figuring dimensions, include mounted accessories, protruding cables and port replicators or docking stations.



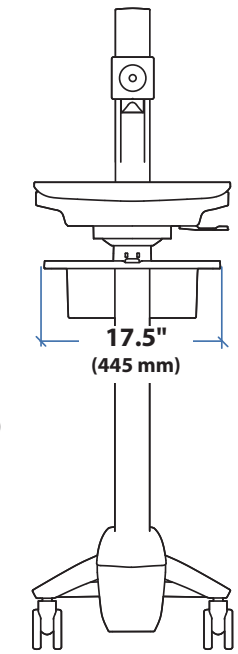
Front View



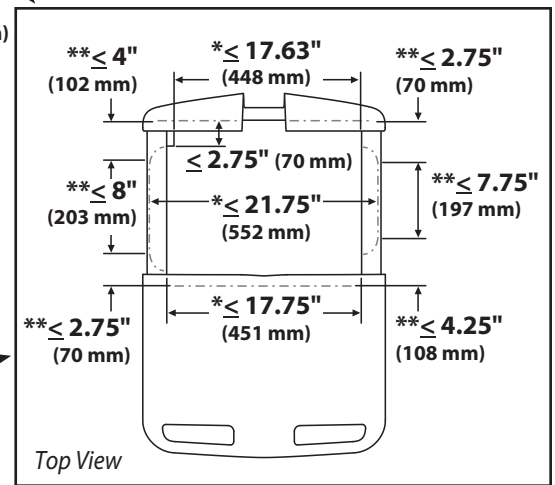
Side View



Top View

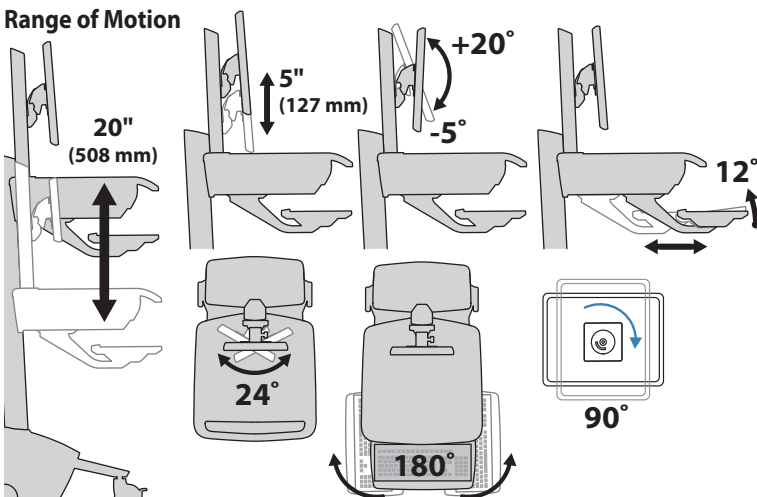


Front View



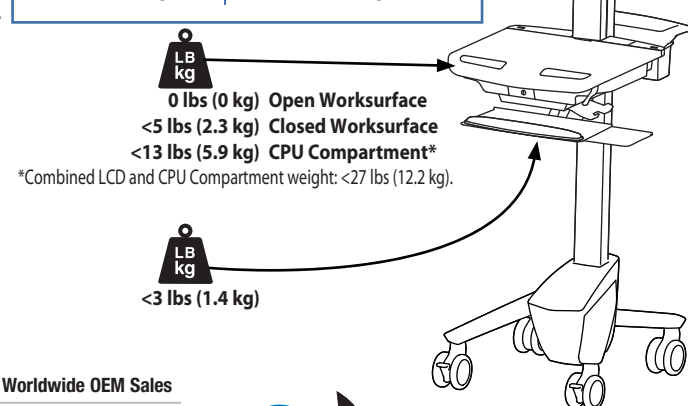
Top View

Range of Motion



Weight Capacity

With Independent LCD Lift: <14 lbs (6.4 kg) | Without Independent LCD Lift: 20 lbs (9 kg)



© 2012 Ergotron, Inc. rev. 05/03/2012 DIM-SV4X-EMR-NORO Content is subject to change without notification

Americas Sales and Corporate Headquarters

EMEA Sales

APAC Sales

Worldwide OEM Sales

St. Paul, MN USA
(800) 888-8458
+1-651-681-7600
www.ergotron.com
sales@ergotron.com

Amersfoort, The Netherlands
+31 33 45 45 600
www.ergotron.com
info.eu@ergotron.com

Tokyo, Japan
www.ergotron.com
apaccustomerservice@ergotron.com

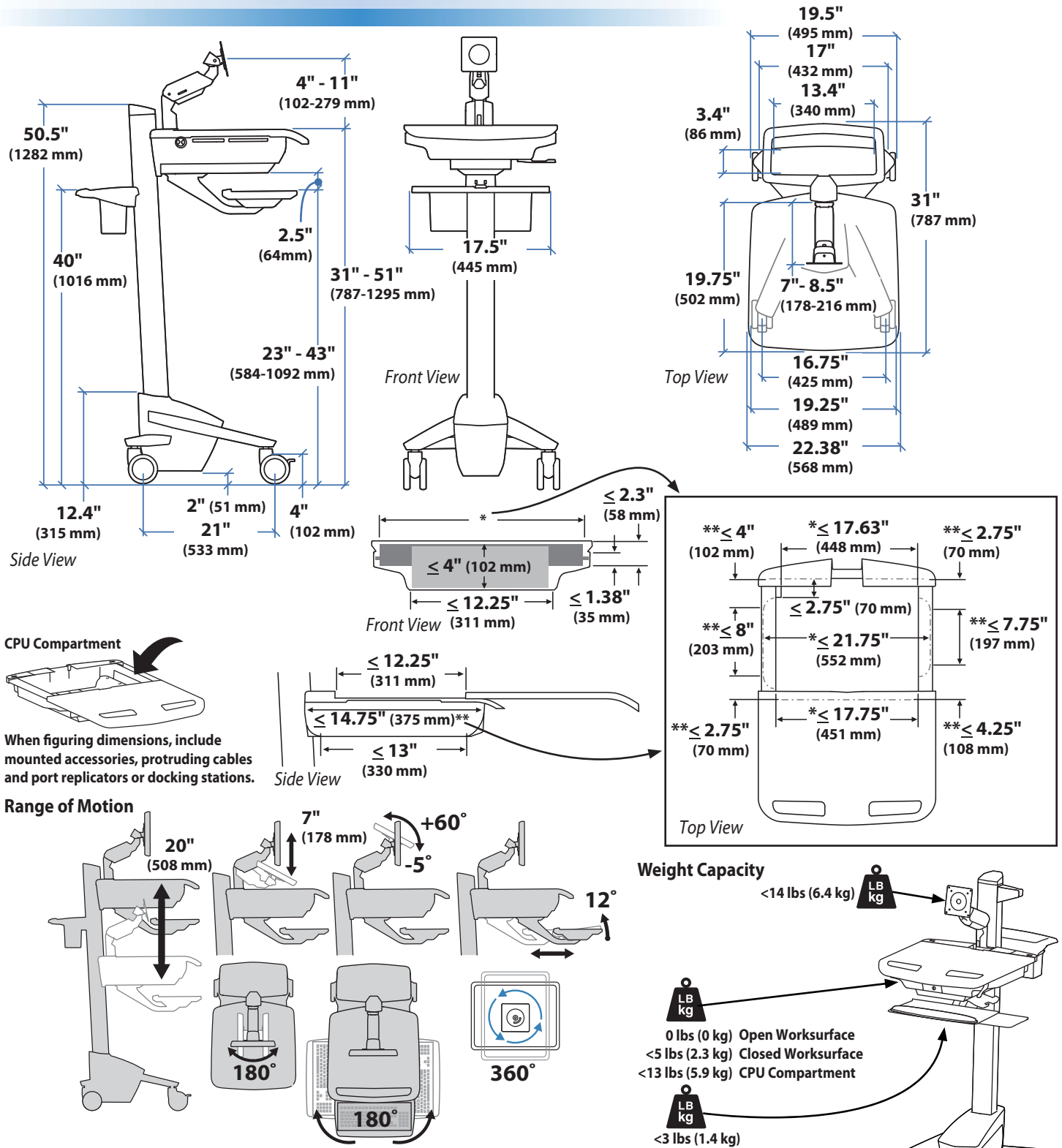
www.ergotron.com
info.oem@ergotron.com



Ergotron® StyleView Cart

Dimensional Illustrations

StyleView® EMR Cart with LCD Arm



© 2012 Ergotron, Inc. rev. 05/03/2012 DIM-SV4X-EMR-NORO Content is subject to change without notification

Americas Sales and Corporate Headquarters

EMEA Sales

APAC Sales

Worldwide OEM Sales

St. Paul, MN USA
(800) 888-8458
+1-651-681-7600
www.ergotron.com
sales@ergotron.com

Amersfoort, The Netherlands
+31 33 45 45 600
www.ergotron.com
info.eu@ergotron.com

Tokyo, Japan
www.ergotron.com
apaccustomerservice@ergotron.com

www.ergotron.com
info.oem@ergotron.com

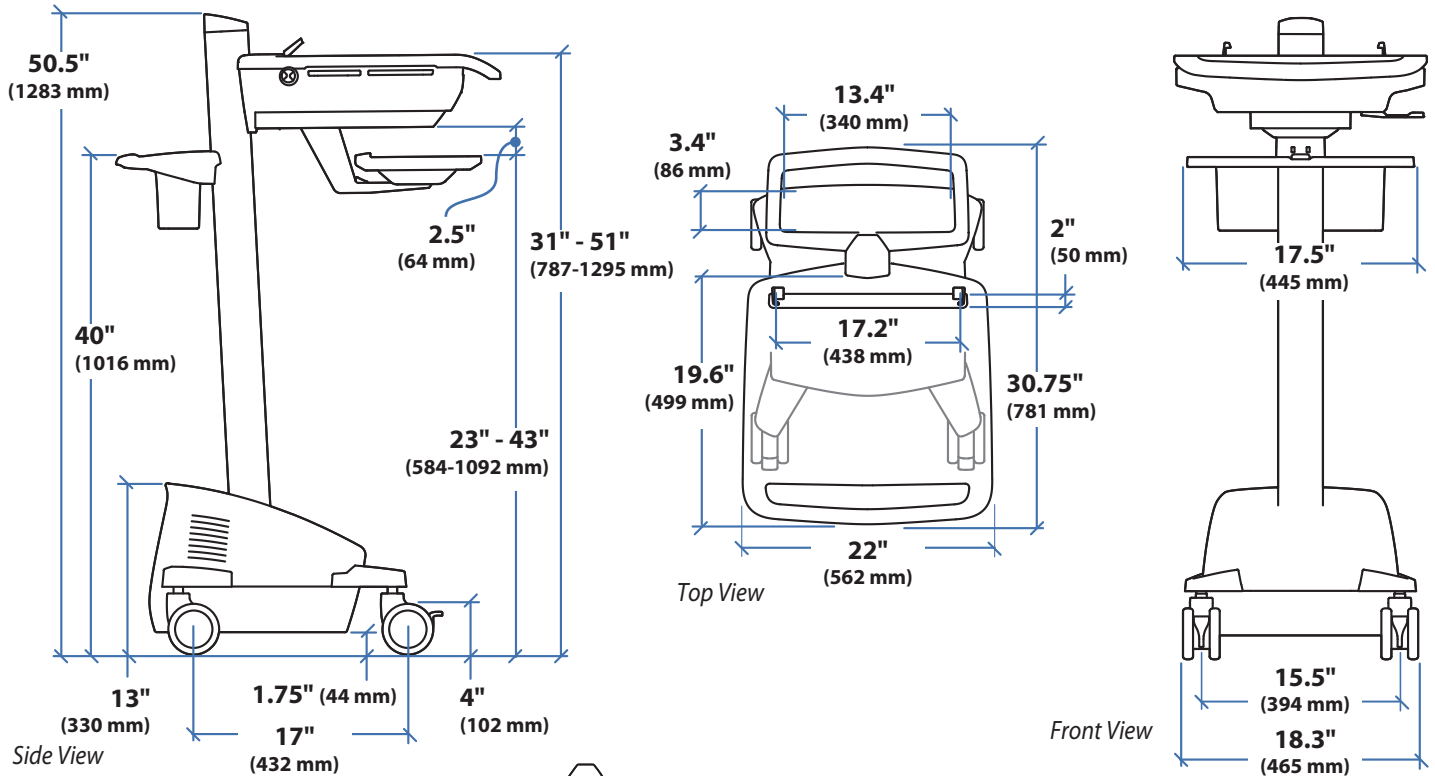


Ergotron® StyleView Cart

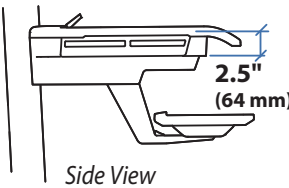
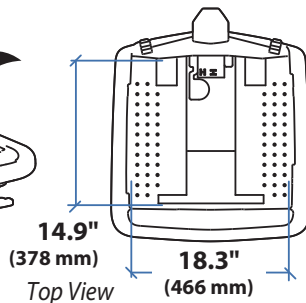
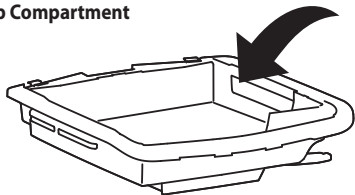
Dimensional Illustrations

StyleView® EMR Laptop Cart, Powered

Dimensions

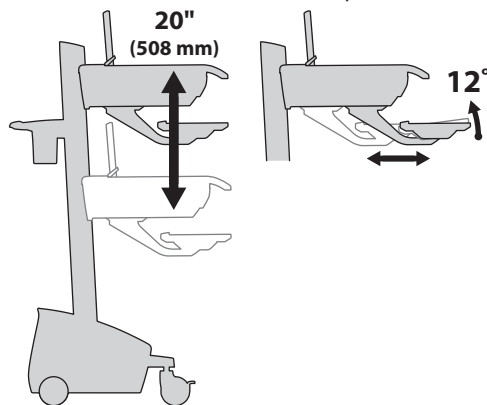


Laptop Compartment



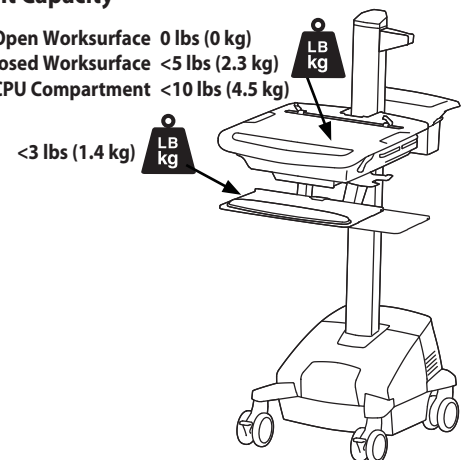
When figuring dimensions, include mounted accessories, protruding cables and port replicators or docking stations.

Range of Motion



Weight Capacity

- Open Worksurface 0 lbs (0 kg)
- Closed Worksurface <5 lbs (2.3 kg)
- CPU Compartment <10 lbs (4.5 kg)



© 2012 Ergotron, Inc. rev. 05/03/2012 DIM-SV4X-EMR-NORO Content is subject to change without notification

Americas Sales and Corporate Headquarters

St. Paul, MN USA
(800) 888-8458
+1-651-681-7600
www.ergotron.com
sales@ergotron.com

EMEA Sales

Amersfoort, The Netherlands
+31 33 45 45 600
www.ergotron.com
info.eu@ergotron.com

APAC Sales

Tokyo, Japan
www.ergotron.com
apaccustomerservice@ergotron.com

Worldwide OEM Sales

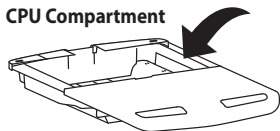
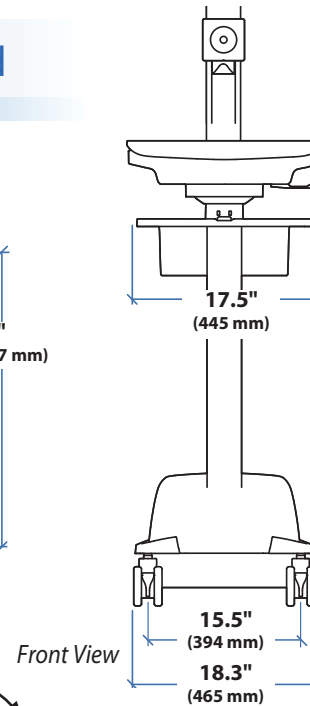
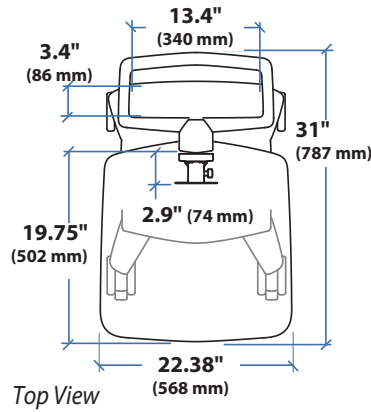
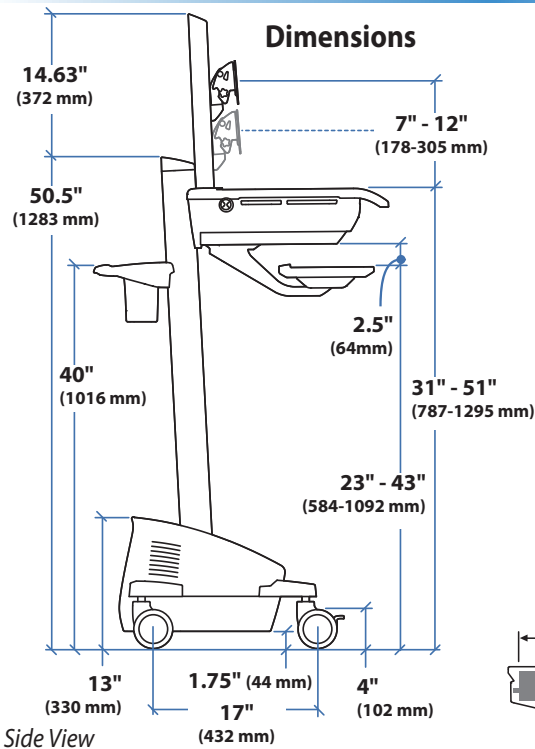
www.ergotron.com
info.oem@ergotron.com



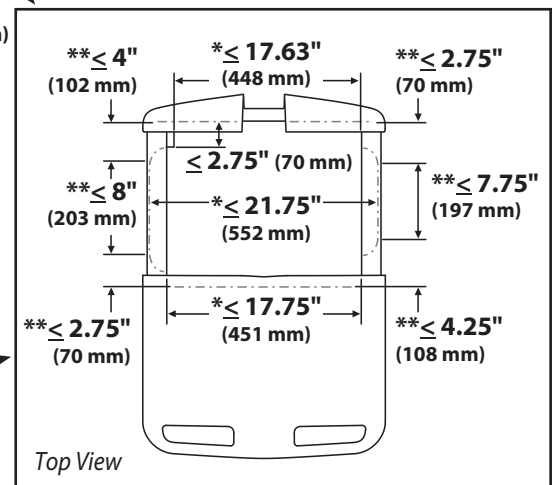
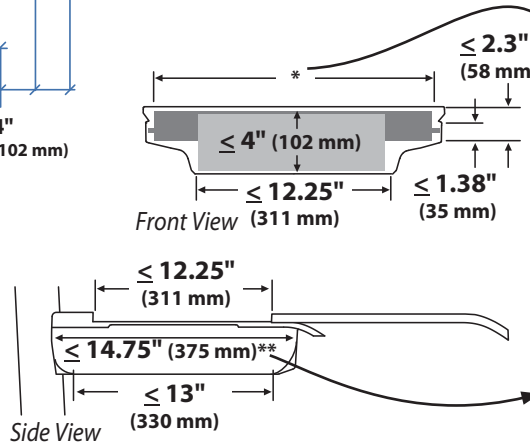
Ergotron® StyleView Cart

Dimensional Illustrations

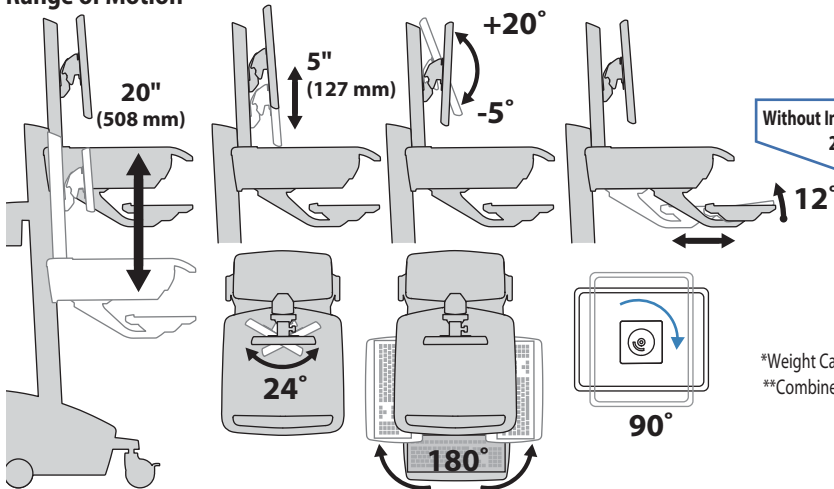
StyleView® EMR Cart with LCD Pivot, Powered



When figuring dimensions, include mounted accessories, protruding cables and port replicators or docking stations.



Range of Motion



Weight Capacity

Without Independent LCD Lift: 20 lbs (9 kg)
With Independent LCD Lift: 6-14 lbs (2.7-6.4 kg)
Carts with LiFe Power System: 5-11 lbs (2.3-5 kg)

0 lbs (0 kg) Open Worksurface
<5 lbs (2.3 kg) Closed Worksurface*
<13 lbs (5.9 kg) CPU Compartment**

*Weight Capacity for carts with LiFe Power System is <3 lbs (1.4 kg).
**Combined LCD and CPU Compartment weight: <27 lbs (12.2 kg).

<3 lbs (1.4 kg)

© 2012 Ergotron, Inc. rev. 05/03/2012 DIM-SV4X-EMR-NORO Content is subject to change without notification

Americas Sales and Corporate Headquarters

EMEA Sales

APAC Sales

Worldwide OEM Sales

St. Paul, MN USA
(800) 888-8458
+1-651-681-7600
www.ergotron.com
sales@ergotron.com

Amersfoort, The Netherlands
+31 33 45 45 600
www.ergotron.com
info.eu@ergotron.com

Tokyo, Japan
www.ergotron.com
apaccustomerservice@ergotron.com

www.ergotron.com
info.oem@ergotron.com

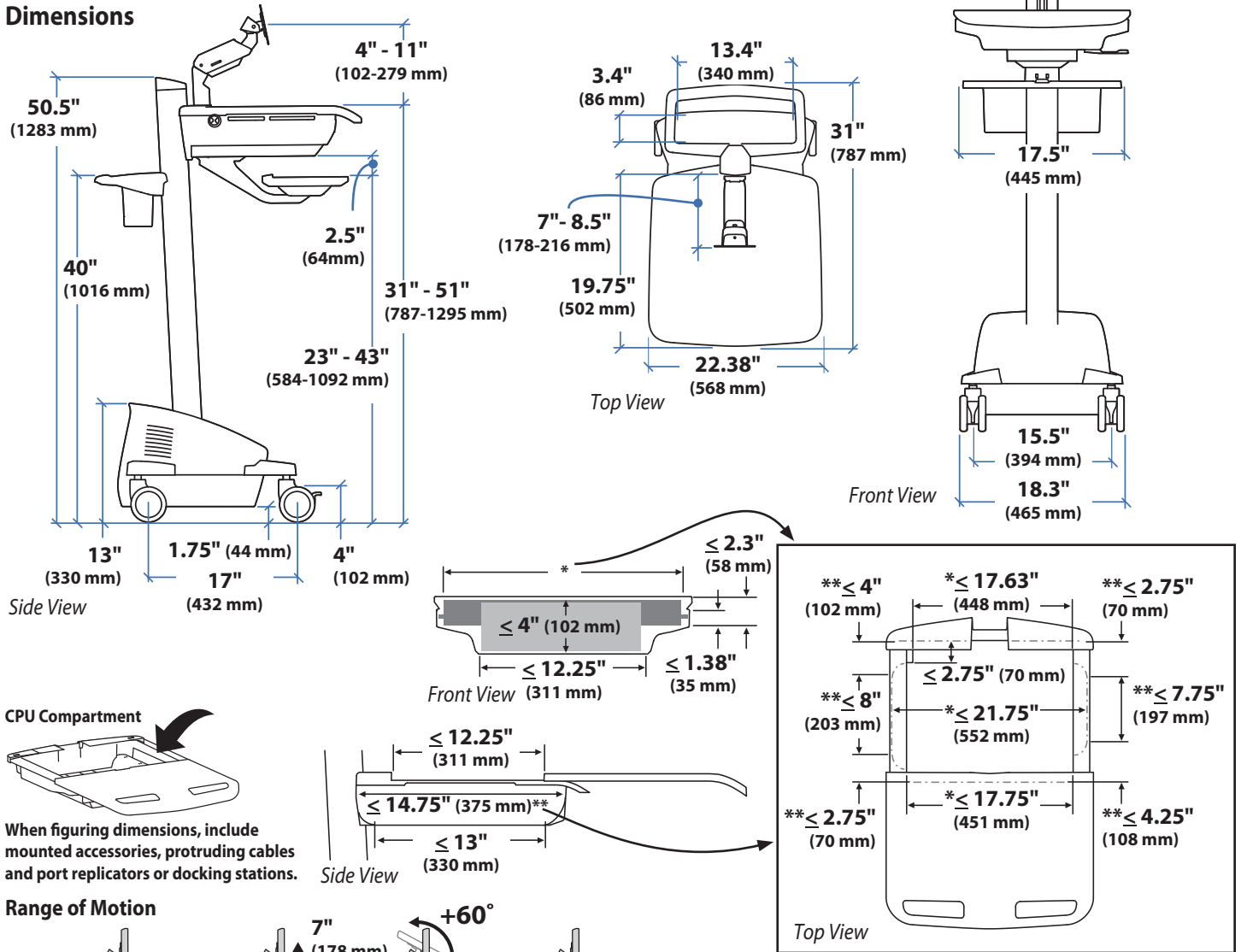


Ergotron® StyleView Cart

Dimensional Illustrations

StyleView® EMR Cart with LCD Arm, Powered

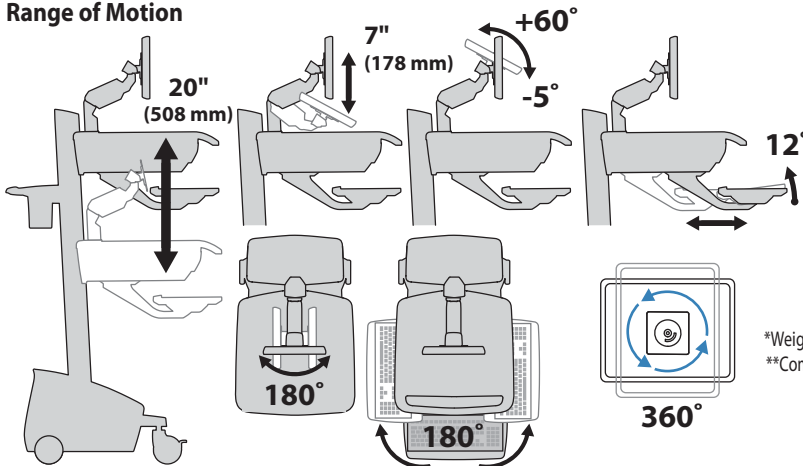
Dimensions



CPU Compartment

When figuring dimensions, include mounted accessories, protruding cables and port replicators or docking stations.

Range of Motion



Weight Capacity: <14 lbs (6.4 kg)

Carts with LiFe Power System:
5-11 lbs (2.3-5 kg)

0 lbs (0 kg) Open Worksurface

<5 lbs (2.3 kg) Closed Worksurface*

<13 lbs (5.9 kg) CPU Compartment**

*Weight Capacity for carts with LiFe Power System is <3 lbs (1.4kg).

**Combined LCD and CPU Compartment weight: <27 lbs (12.2 kg).

<3 lbs (1.4 kg)

© 2012 Ergotron, Inc. rev. 05/03/2012 DIM-SV4X-EMR-NORO Content is subject to change without notification

Americas Sales and Corporate Headquarters

EMEA Sales

APAC Sales

Worldwide OEM Sales

St. Paul, MN USA
(800) 888-8458
+1-651-681-7600
www.ergotron.com
sales@ergotron.com

Amersfoort, The Netherlands
+31 33 45 45 600
www.ergotron.com
info.eu@ergotron.com

Tokyo, Japan
www.ergotron.com
apaccustomerservice@ergotron.com

www.ergotron.com
info.oem@ergotron.com

