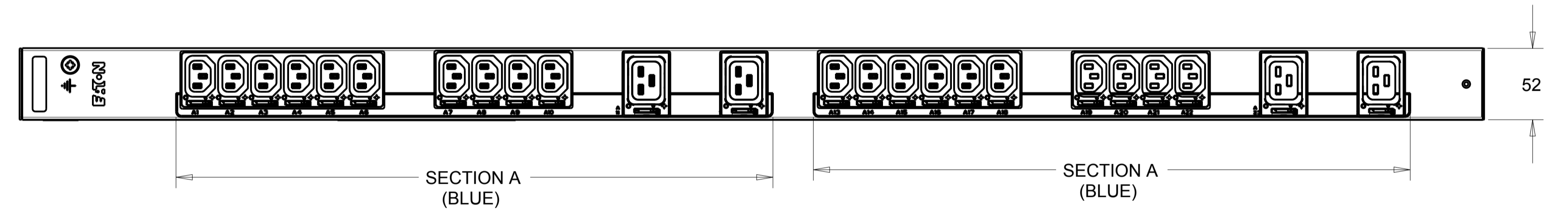
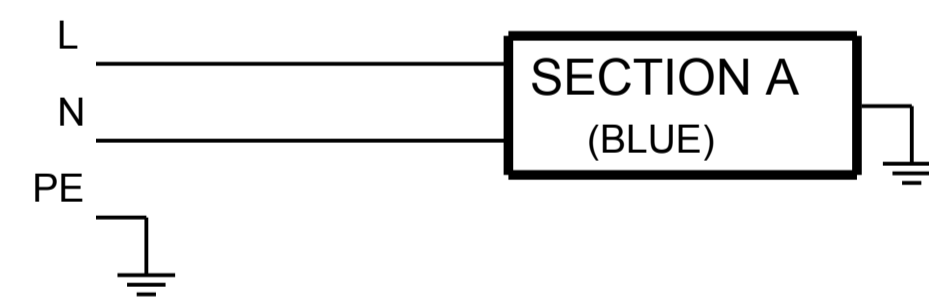


CABLE LENGTH SHOWN NOT TO SCALE

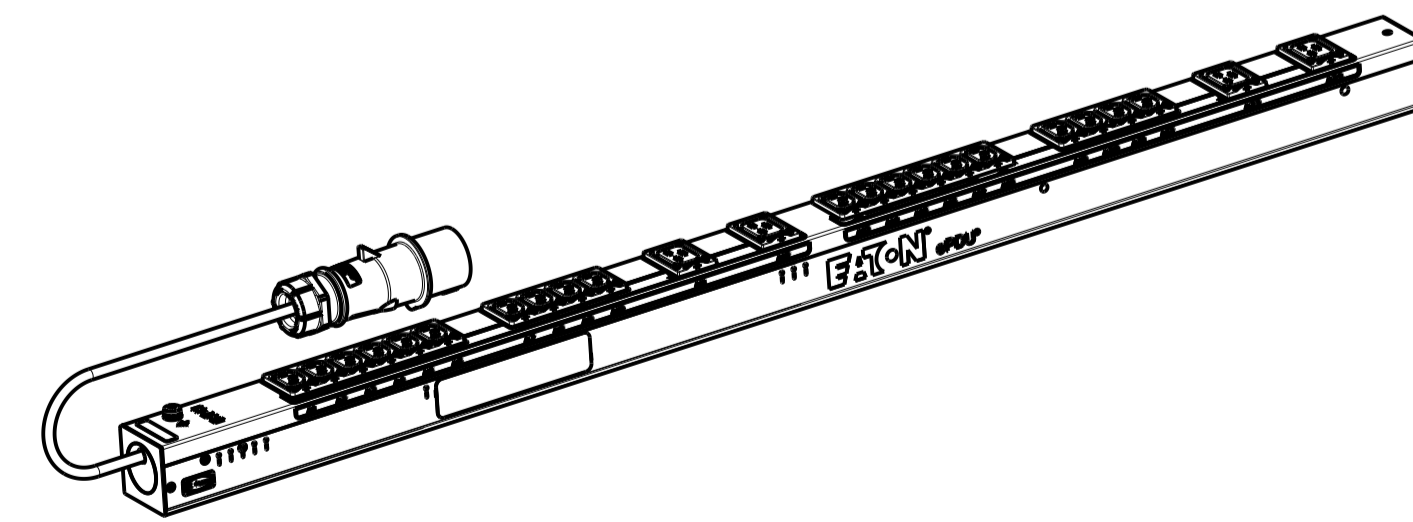


CIRCUIT SCHEMATIC



## EBAB04 G3 BASIC

FUNCTIONALITY	INPUT	OUTPUT	ENVIRONMENTAL
NONE	1Ø; 200-240V~; W+N+PE 50/60Hz 16A	(20) IEC 60320 C13 GRIP (4) IEC 60320 C19 GRIP	0 TO 60 °C
MECHANICAL	INPUT RATING	OUTPUT RATING	CERTIFICATIONS
LENGTH: 1070MM WIDTH: 52 MM DEPTH: 53MM ALUMINIUM CHASSIS, BLACK MNT PATTERN SK-23919-Y1	IEC 60309-2 16A 230V~ W+N+PE 1.5MM HO5 POWER CORD CABLE LENGTH: 3.0 M	200-240V~; 50/60Hz 10A PER C13; 16A PER C19 16A MAX TOTAL	CE, CB
CIRCUIT BREAKERS	FILTER AND SPIKE/SURGE	ACCESSORIES	CONFIGURATION
NONE	NONE	STANDARD KSP014 - VERT INSTALLATION PACK OPTIONAL EMP001 - ENVIRONMENTAL PROBE	EBA3CE8FABH75AM



PICTORIAL VIEW  
SCALE 0.187

00 INITIAL RELEASE		12.05.2014	RA	MB
REV	MODIFICATION	DATE	DESIGNER	VERIF.
EATON		HEINEMANN PRODUCTS	VUE/VIEW 1ST ANGLE	ECHELLE / SCALE 4/10
CH-1345 LE LIEU SWITZERLAND		DESSEINE LE / DRAWN THE	12.05.2014	
TRAITEMENT / FINISH N/A		PAR / BY RA		
MATERIE / MATERIAL N/A		VERIFIE PAR / VERIFIED BY MB		
NIVEAU DU CERTIFICAT DE SOUMISSION REQUIS / SAMPLES APPROVAL PROCESS REPORT N/A		DIMENSIONS AND TOLERANCES IN MILLIMETERS		
DESIGNATION EPDU BA 0U (309 16A 1P)20XC13.4XC19		SK-34519-Y1		00
COTES A CONTROLER INSPECTION DIMENSIONS	XX.XX	COTES FONCTIONNELLES FUNCTIONAL DIMENSIONS	# XX.XX	NUMERO DU PLAN PLAN NUMBER
Ce document est propriété de Eaton Industries Manufacturing GmbH. Duplication interdite sans autorisation. This document is Eaton Industries Manufacturing GmbH property. Duplication forbidden without authorization.				