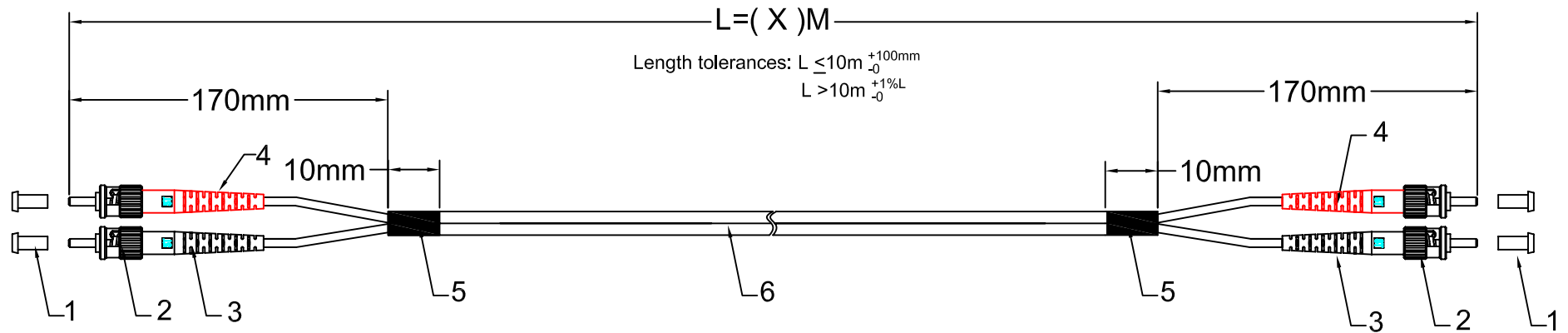


ST/UPC - ST/UPC Duplex Jumper, I-V(ZN)H 02E 9/125 μ
OS2, LSZH Yellow Jacket, x meter



Specifications:

1. Insertion Loss: < 0.3dB @1310nm
Return Loss: > 55dB@1310nm
2. End surface test is according to OP-03-05001
3. Test standard: GR-326-CORE
4. Test report has to match the serial No.
5. RoHS compliant
6. Fiber cable according to IEC 60793-2
7. ST connector according to IEC 60874-10

**RoHS
compliant**

6	Ø3.0mm SM duplex OS2 9/125 μ LSZH Yellow cable	
5	Heat shrink tube, black	2
4	ST 3.0 boot, red	2
3	ST 3.0 boot, black	2
2	ST SM 3.0 connector	4
1	Dust cover	4
Item	Description	Qty



EFB

ST/UPC - ST/UPC Duplex Jumper, I-V(ZN)H 02E 9/125 OS2, LSZH
Yellow Jacket, x meter

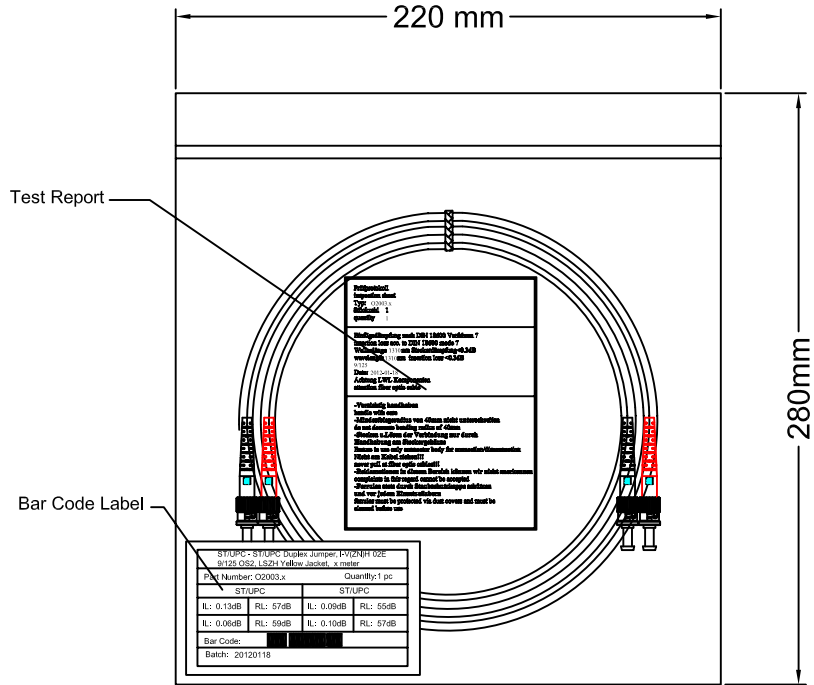
Part No: O2003.x

Drawing No:

Page :1 of 3

Packing:


The corresponding label data for each cable assembly shall be affixed to the package



9# PE Bag(220mm x 280mm)

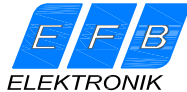
Prüfprotokoll inspection sheet Typ: O2003.x Stückzahl 1 quantity 1
Einfügedämpfung nach DIN 18600 Verfahren 7 insertion loss acc. to DIN 18600 mode 7 Wellenlänge 1310nm Steckerdämpfung<0.3dB wavelength 1310nm insertion loss <0.3dB 9/125 Date: 2012-01-18 Achtung LWL Komponenten attention fiber optic cable
-Vorsichtig handhaben handle with care -Mindestbiegeradius von 40mm nicht unterschreiten do not decrease bending radius of 40mm -Stecken u. Lösen der Verbindung nur durch Handhabung am Steckergehäuse Ensure to use only connector body for connection/disconnection Nicht am Kabel ziehen!!! never pull at fiber optic cables!!! -Reklamationen in diesem Bereich können wir nicht anerkennen complaints in this regard cannot be accepted -Ferrulen stets durch Staubschutzkappe schützen und vor jedem Einsatz säubern ferrules must be protected via dust covers and must be cleaned before use

Test Report

ST/UPC - ST/UPC Duplex Jumper, I-V(ZN)H 02E 9/125 OS2, LSZH Yellow Jacket, x meter			
Part Number: O2003.x		Quantity:1 pc	
ST/UPC		ST/UPC	
IL: 0.13dB	RL: 57dB	IL: 0.09dB	RL: 55dB
IL: 0.06dB	RL: 59dB	IL: 0.10dB	RL: 57dB
Bar Code: 			
Batch: 20120118			

Bar Code Label(100mmx60mm)

**RoHS
compliant**

		<h1>EFB</h1>	
ST/UPC - ST/UPC Duplex Jumper, I-V(ZN)H 02E 9/125 OS2, LSZH Yellow Jacket, x meter			
Part No: O2003.x			
Drawing No:		Page :2 of 3	

Indoor Cable Series (Duplex)

1. Characteristics

- . Aramid yarn strength member ensures tension resistance and long term stability in transmission
- . Figure 8 structure jacket facilitates branching
- . Small outer diameter, lightweight
- . Flame-retardant jacket, halogen-free
- . Low attenuation

2. Applications

- . Installation in conduits and shafts
- . Indoor distribution
- . Jumper and adapter cable
- . Connecting workstations inside buildings (FTTD)

3. Temperature Range

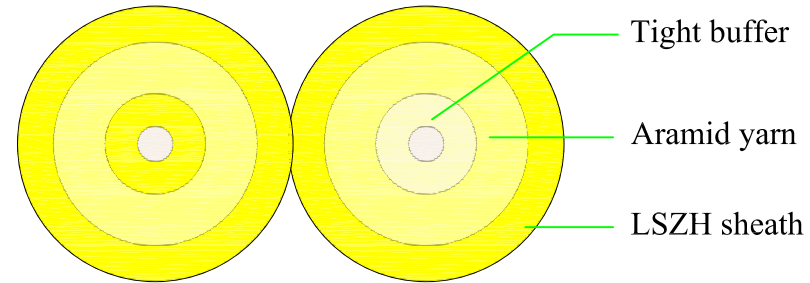
-20°C up to +70°C

4. Fiber Optic Cable Performance

- . Number of fibers: 2
- . Outer diameter: 2.8x5.7 mm
- . Nominal weight: 13.2 kg / km
- . Max. tension: 300 N (short - term)
160 N (long - term)
- . Min. Bending Radius: 20 H (Dynamic)
10 H (Static)
- . Max. Crush Resistance (N/100 mm²): 1000
- . Complies with TIA/EIA-568 B.3 & Bellcore GR-409-CORE & OFNR-UL/CSA FT-4
- . Maximum Attenuation: ≤ 0.4dB @ Full spectrum
- . Dispersion Coefficient: ≤ 3.0ps/(nm.km) @ 1310nm
≤ 18ps/(nm.km) @ 1550nm

5. Cable Specification

- . Fiber type: Singlemode 9/125μm OS2
- . Yellow jacket, LSZH



**RoHS
compliant**



EFB

ST/UPC - ST/UPC Duplex Jumper, I-V(ZN)H 02E 9/125 OS2, LSZH
Yellow Jacket, x meter

Part No: O2003.x

Drawing No:

Page :3 of 3