



This mount kit supports multiple access point (AP) models. All installation images below show the 585 AP.

### Package Contents

- Mount bracket x1
- M6x20 screw x 2
- 6-inch hose clamp x 2
- 60cm cable tie x 1

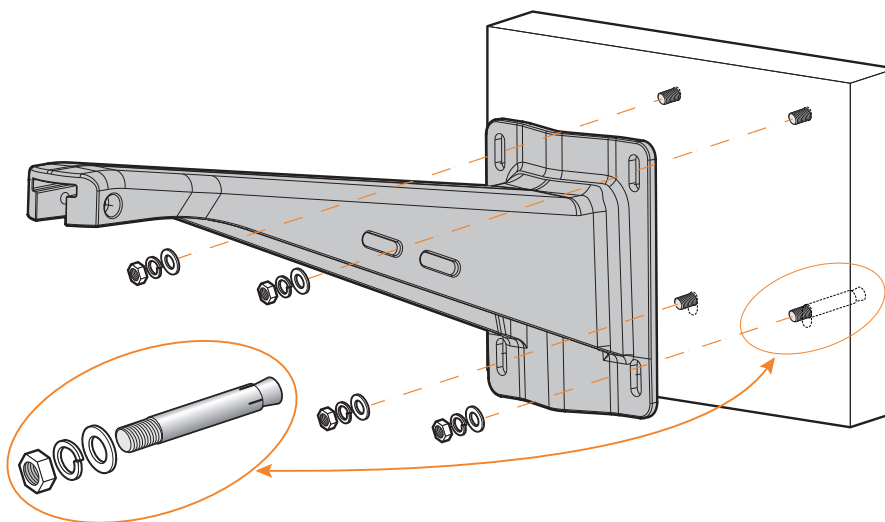
### Customer Supplied Equipment

- Electric drill with drill bits, wall anchors, and fastening hardware for wall mount

### Mounting the AP to a Wall

1. Begin by using the actual mount kit as a template, or download the *AP-270-MNT-V1/V2, AP-OUT-MNT-V1A Mount Kit Mounting Template* from <https://asp.arubanetworks.com>, and mark the mount points on the wall in the location you have selected.
  - a. Put the mount bracket, or the paper template, on the installation position against the wall.
  - b. Use either the mount bracket or the paper template to mark the four mount points on the wall.
2. Install the wall anchors at the four marked locations as per the installation instructions provided with the wall anchors.
3. Place the mount bracket over the anchor bolts and press the mount bracket against the wall.
4. Place washers and nut onto the bolt's threaded end and tighten the nut until the mount bracket is firmly attached to the wall. See [Figure 1](#).

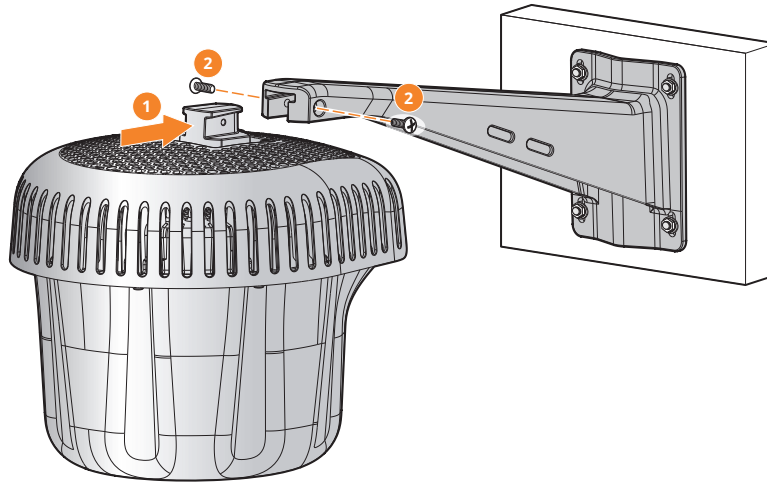
**Figure 1** Attaching the Mount bracket to a Wall



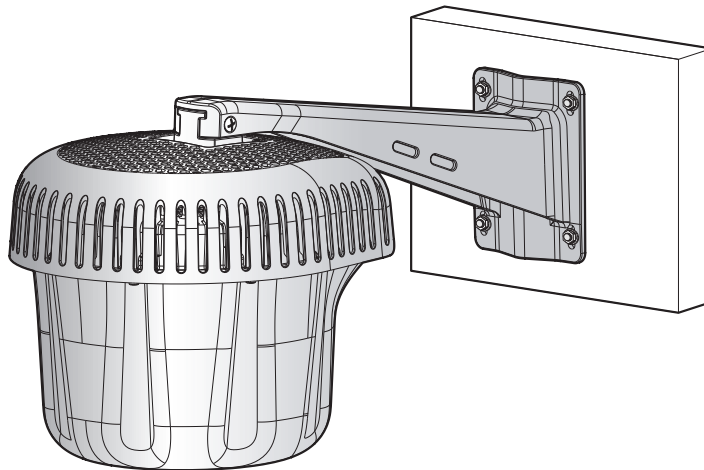
5. Slide the holder of the AP into the opening of the mount bracket and use the two M6x20 screws to fix the holder. Tighten the screws to 55 in/lbs (6.5 Nm). See [Figure 2](#).



**Figure 2** Attaching the AP to the Mount Bracket



**Figure 3** Completed Installation



6. Use the cable ties to fasten the cables on the mount bracket.

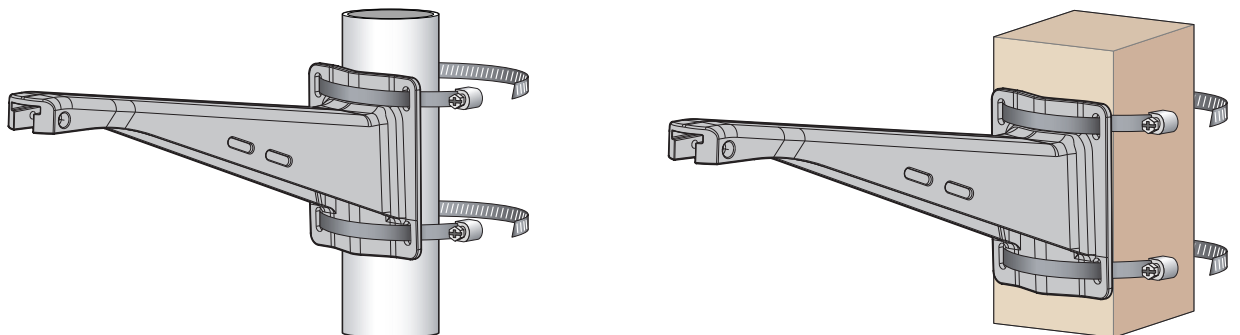
## Mounting the AP to a Vertical Pole



The hose clamps have an optimal pole diameter range of 4" to 6" (100 to 150mm). Outside of that, longer or shorter clamps may be required.

1. Slide the two hose clamps (included in the package) through the top and bottom set of mounting slot on the mount bracket and then attach the mount bracket to the pole. See [Figure 4](#).
2. Tighten the hose clamps by using a nut driver or screwdriver to rotate the tightening screw of the hose clamp.

**Figure 4** Attaching the Mount bracket to a Pole



3. Repeat step 6 and 7 in the [Mounting the AP to a Wall](#) section.